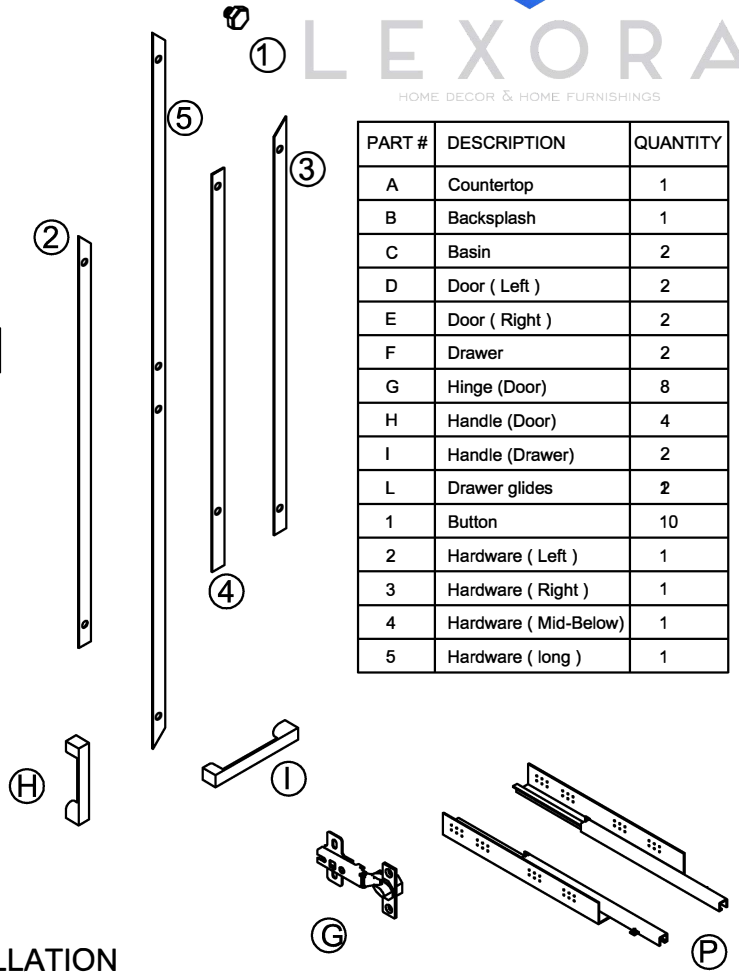
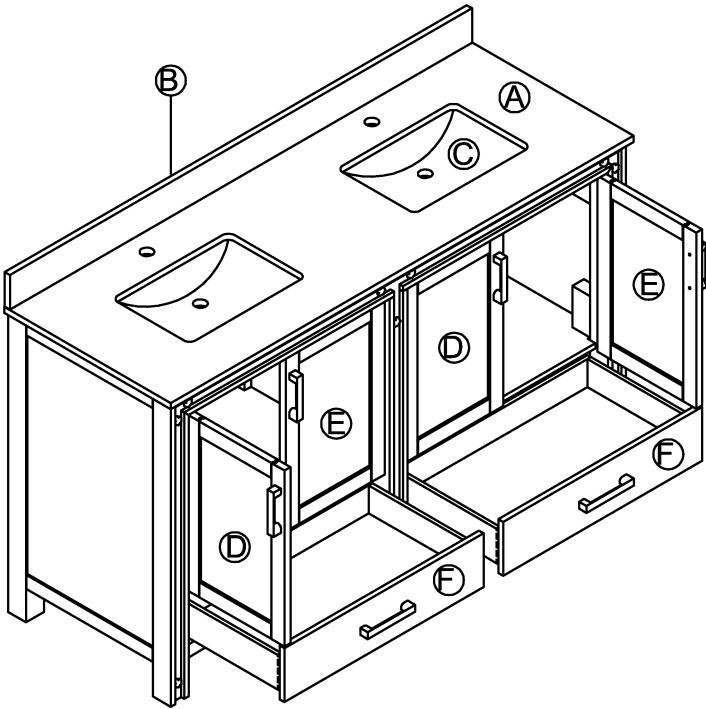


# PART LIST



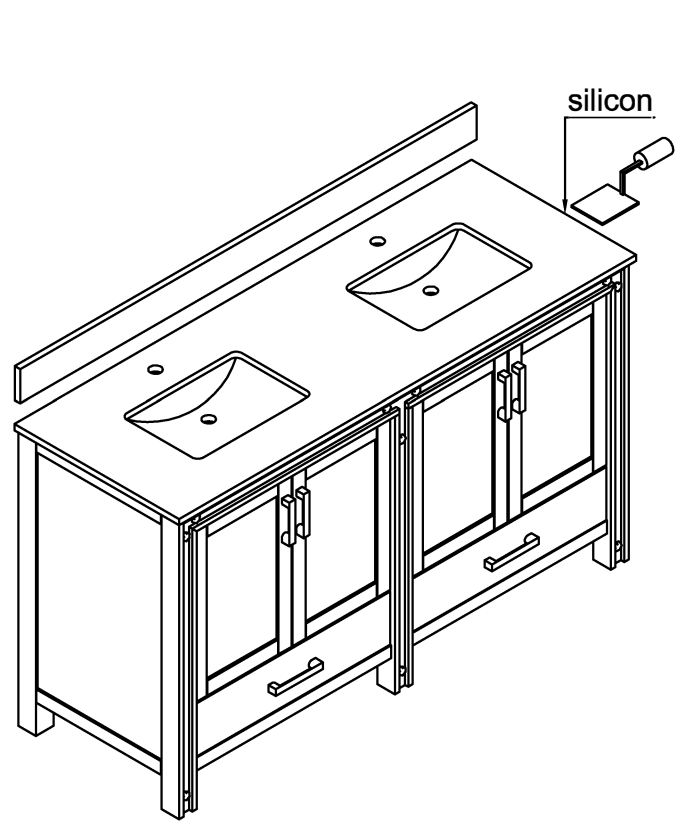
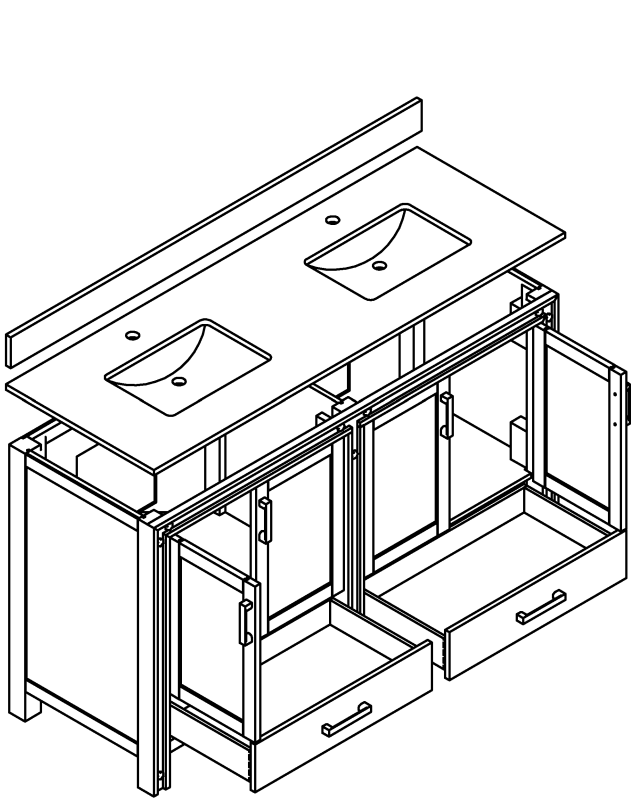
LEXORA<sup>®</sup>  
HOME DECOR & HOME FURNISHINGS

#1



PART #	DESCRIPTION	QUANTITY
A	Countertop	1
B	Backsplash	1
C	Basin	2
D	Door ( Left )	2
E	Door ( Right )	2
F	Drawer	2
G	Hinge (Door)	8
H	Handle (Door)	4
I	Handle (Drawer)	2
L	Drawer glides	2
1	Button	10
2	Hardware ( Left )	1
3	Hardware ( Right )	1
4	Hardware ( Mid-Below)	1
5	Hardware ( long )	1

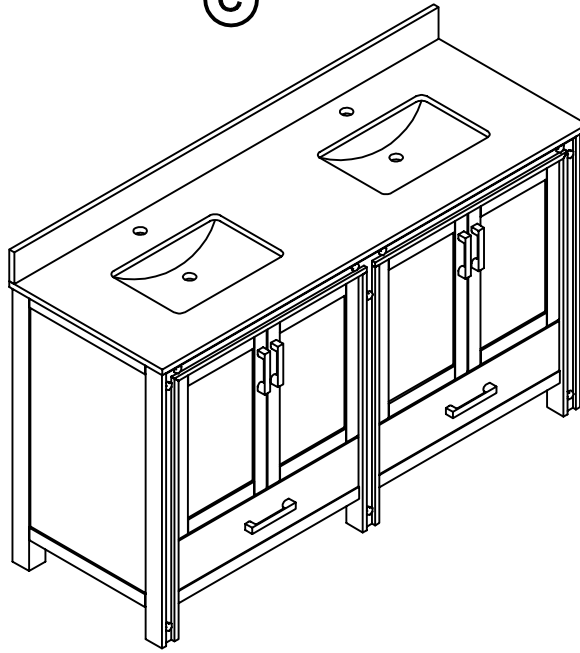
## INSTALLATION



# INSTALLSTION

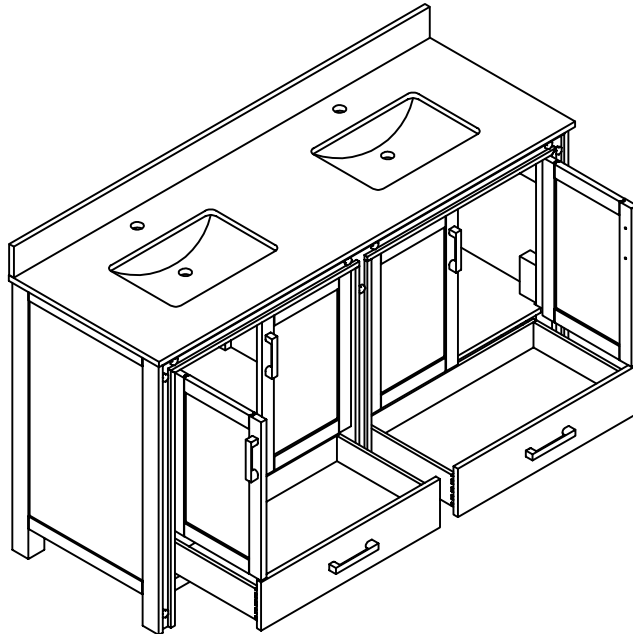
#1

(C)



#2

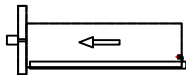
## DRAWER



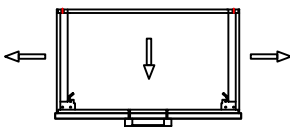
REMOVE

INSTALL

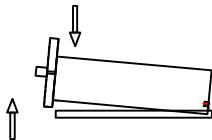
1



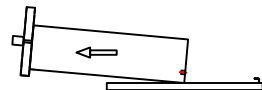
2



3



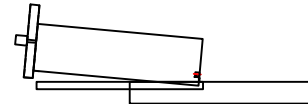
4



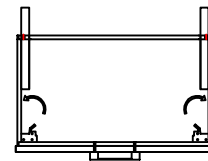
(B)

(C)

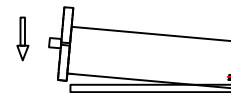
1



2



3



4

