

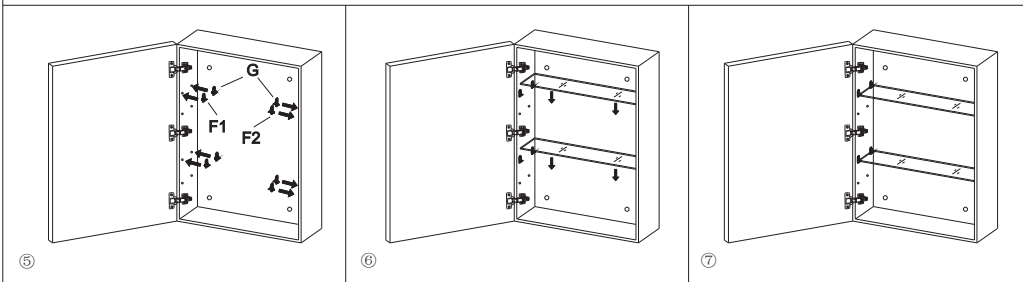
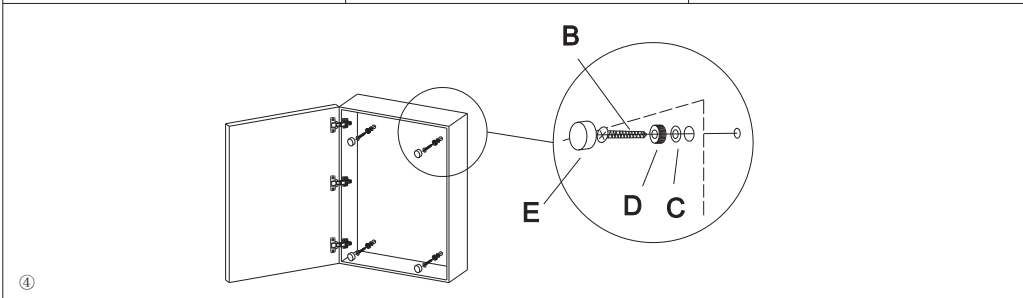
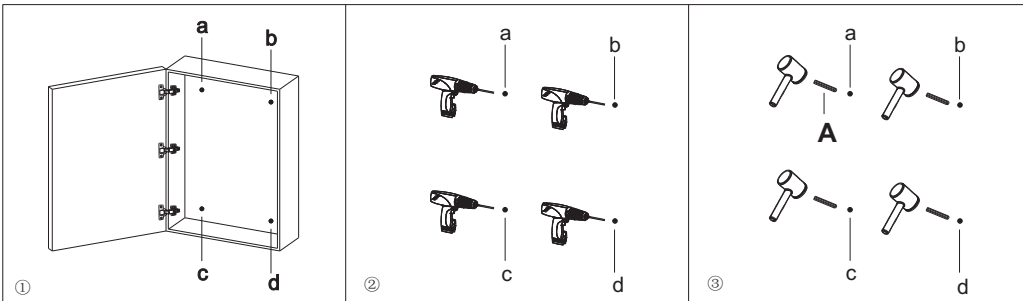
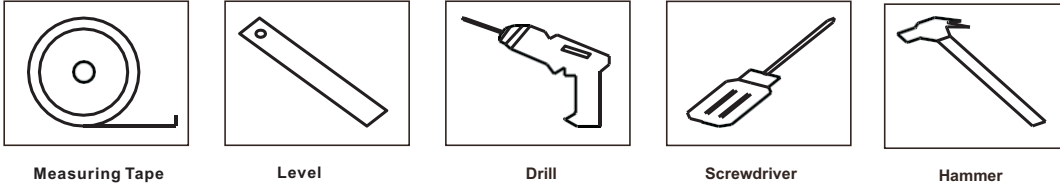


LEXORA  
HOME DECOR & HOME FURNISHINGS

# Installation Instructions for LED Medicine Cabinet

**Note:** To ensure general use of this product please follow the installation instructions carefully. Must be installed indoors and on a suitable load bearing wall. Installation should be done by a licensed contractor and/or electrician. Only a clean soft cloth should be used to clean this product.

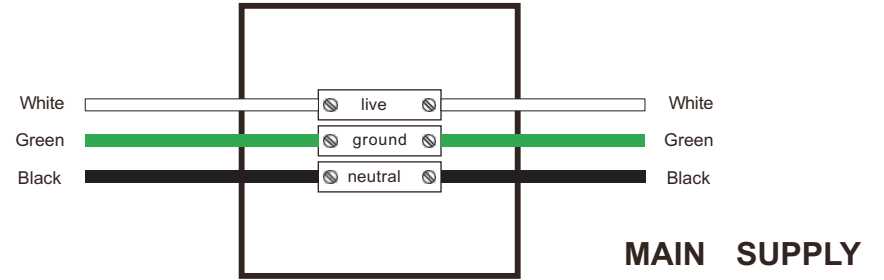
## Installation Tools Needed



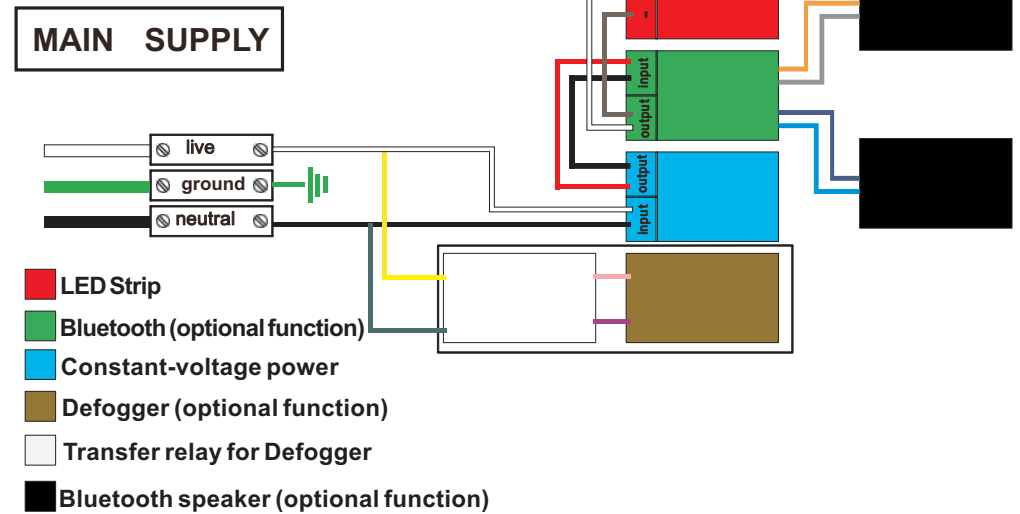
## Installation Instructions:

- Fig①: Position the cabinet, mark the a/b/c/d mounting holes from inside onto the wall.
- Fig②: Use the marks to pre-drill holes.
- Fig③: Hammer "A" anchors into the pre-drilled holes.
- Fig④: Hold the mirror cabinet and install mounting hardware "B", "C", "D", and "E" as shown in the illustration.
- Fig⑤: Insert the provided shelf clips (F1/F2/G) into the round holes on both sides of the cabinet.
- Fig⑥: After installing the shelf clips, insert the glass shelves(s).

## Wiring diagram for input terminal



## Electronic Diagram



## CAUTION:

During operation of this product, never use hard or sharp objects directly against the mirror surface, as it may result in damage and/or personal injury. Clean the product with a soft cloth and mild detergent only. Do not use abrasives, chemical cleaners, or leave any solutions on the surface such as soup, shampoo, etc. as they may damage the mirror.