



LEXORA®
HOME DECOR & HOME FURNISHINGS

DESCRIPTION

- Brass construction
- Flexible supply lines with 3/8" & 1/2" or 9/16" & 1/2" compression fittings
- Includes Red/Blue indicators


FLOW

- Water usage is limited to these maximum flow rates as indicated by the corresponding product markings
- North America: 1.5 gpm max (5.7L/min) at 60psi
- California: 1.2 gpm max (4.5L/min) at 60psi

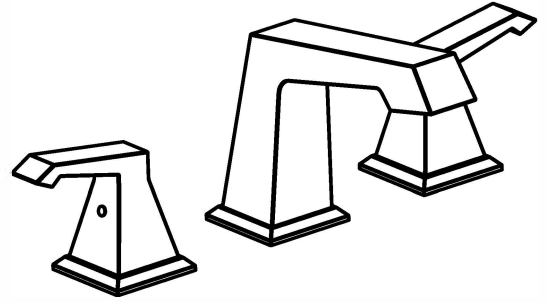
CARTRIDGE

- Brass cartridge

STANDARDS

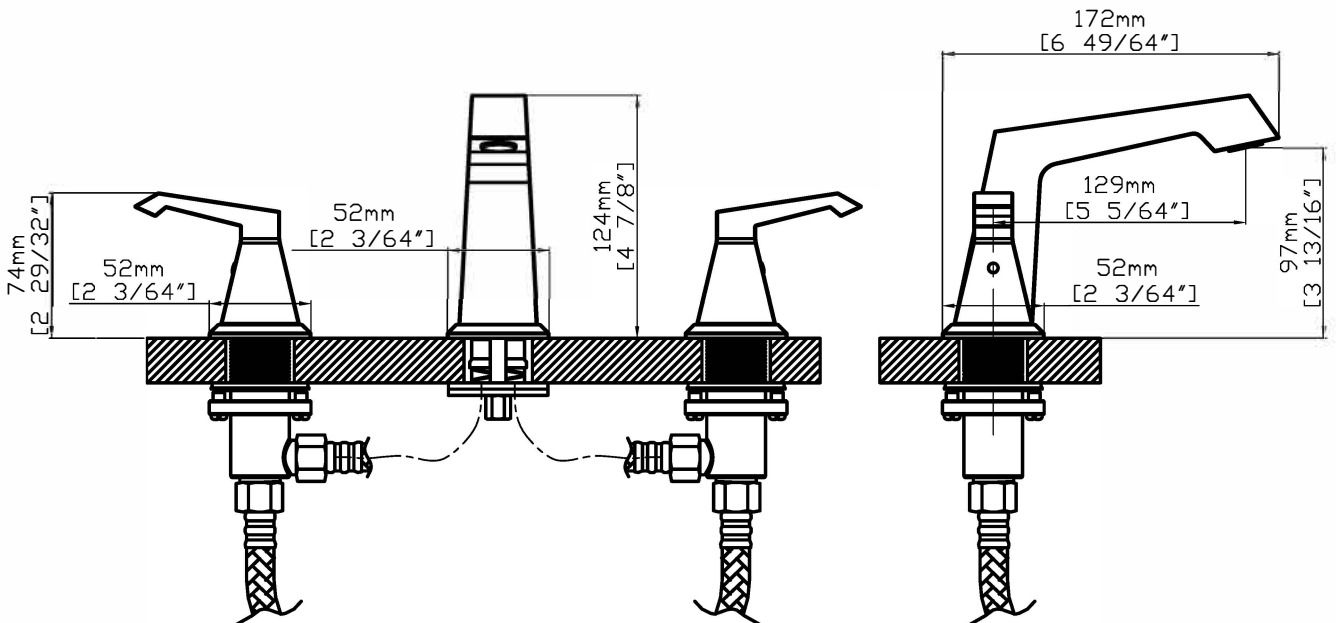
- Certified to CUPC
- Certified to AB1953
- Certified to NSF/ANSI 61
- ADA  for lever handle

Specifications



8" Dual-Handle Lavatory Faucet

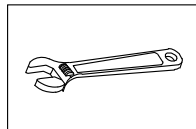
NOTE: SPOUT INSTALLS THRU Φ 1-3/8" MIN HOLE



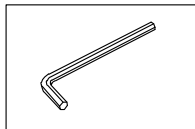
CRITICAL DIMENSIONS

8" Dual-Handle Lavatory Faucet Installation

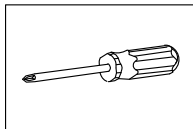
INSTALLATION MANUAL Tools You Will Need :



Adjustable wrench



Hexagon wrench



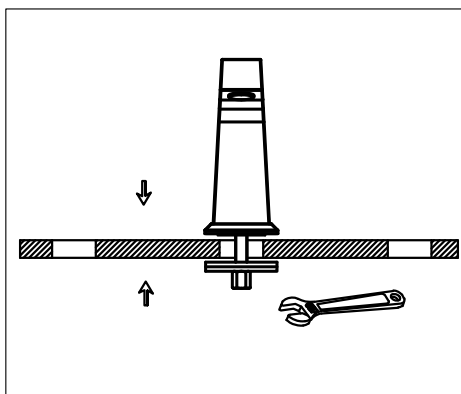
Philips Screwdriver

Notes before installation :

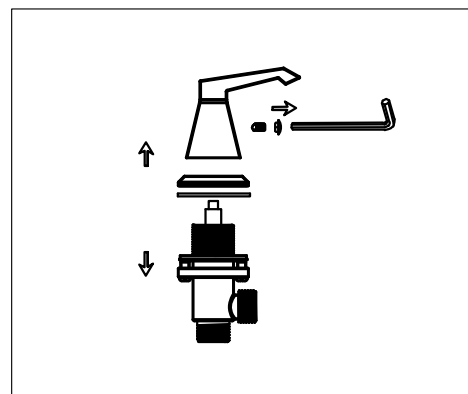
1. Please check that all components are present.
2. Before installation ensure that all feed lines are clear of debris and on/off valve is present.
3. Ensure water pressure is between 20-125 PSI (includes combination of hot and cold feed lines).
4. Pictures in the manual are general in content and may not represent exactly your purchased faucet. If you are having difficulties please contact a professional plumber.
5. If you will be away from home for an extended period you should shut off the main water supply.

Daily maintenance

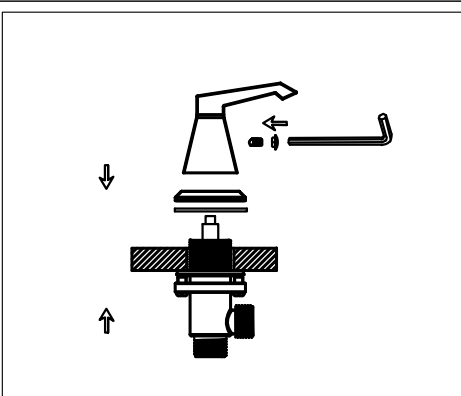
1. Use a soft cloth and vinegar to remove hard-water spots.
2. Check aerator (if present) regularly for calcium build up or when water stream is not optimum.
3. DO NOT use caustic cleaning products as the use will break down finish and will void the product warranty.
4. Acceptable cleaners include vinegar or mild non-abrasive liquid detergents.
5. If the water pressure appears to be less than optimum remove, inspect, clean or replace aerator.



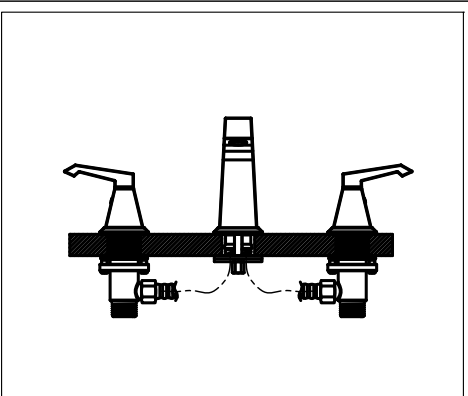
1. Remove the T-valve, lock nut and washer from the spout body. Place spout in center hole of sink. Assemble washer and tighten the lock nut to it. Connect the T-valve to the spout body using the wrench.



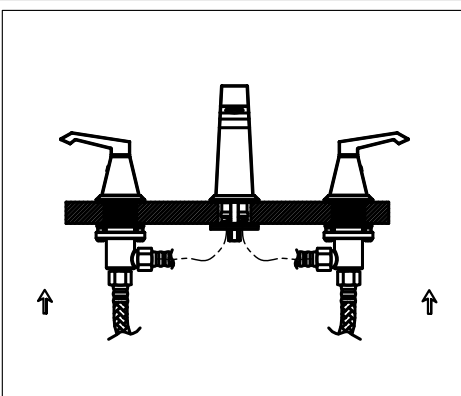
2. Remove mounting hardware from handle body. Connect water supply tube to valve body and tighten with lock nut. Do not allow the water supply brass tube to twist. Use two wrenches, as shown in the diagram, to tighten the flexible hose.



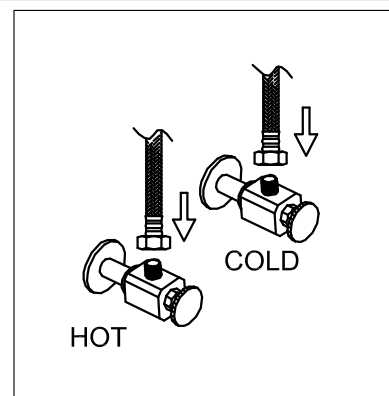
3. Place the spout in center hole of sink and handle body through right hole. (Left is red, right is blue). Assemble the rubber washer, washer and tighten with lock nut.



4. Connect handle body and faucet body with braided hoses. Tighten wrench tight.



5. Screw and tighten the flexible hose to the faucet. Left is red, right is blue. Do not allow the water supply brass tube to twist.



6. Attach flexible hose to water supply.