

FVN62-3612-UNS

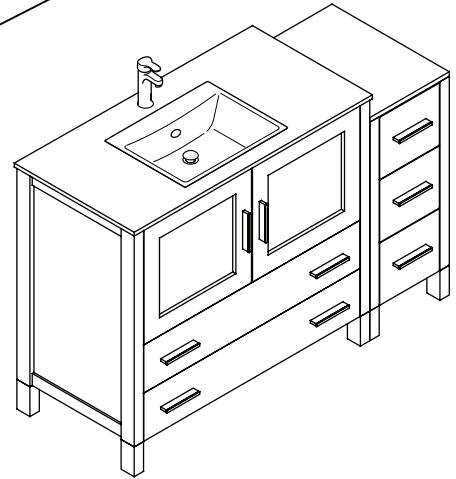
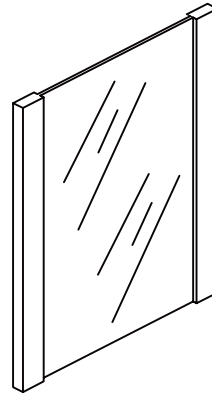
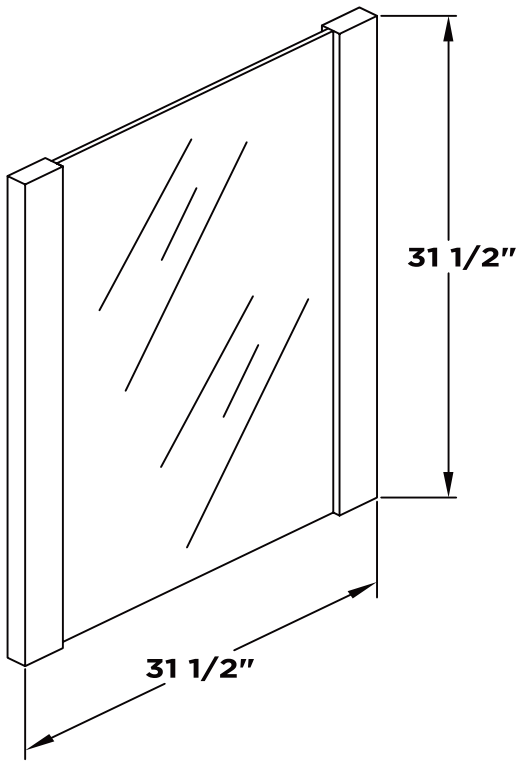
TORINO

INSTALLATION GUIDE

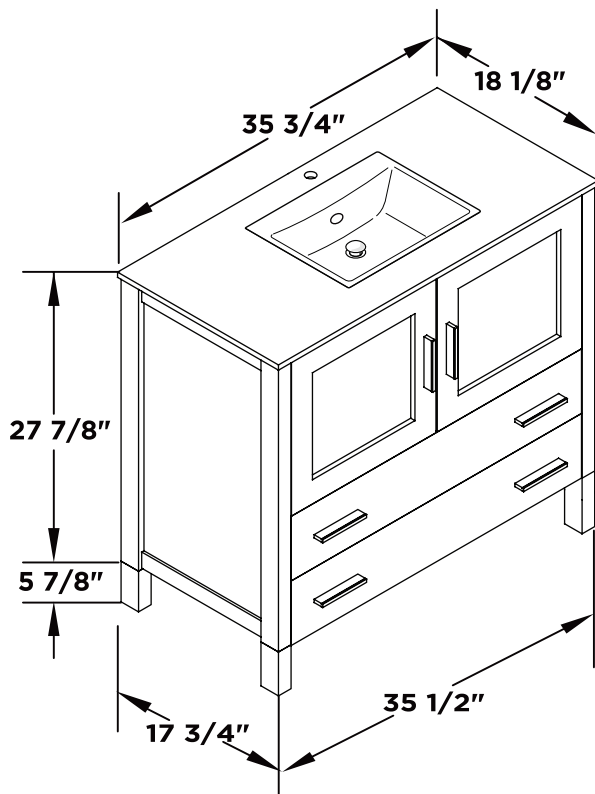


FRESCA®

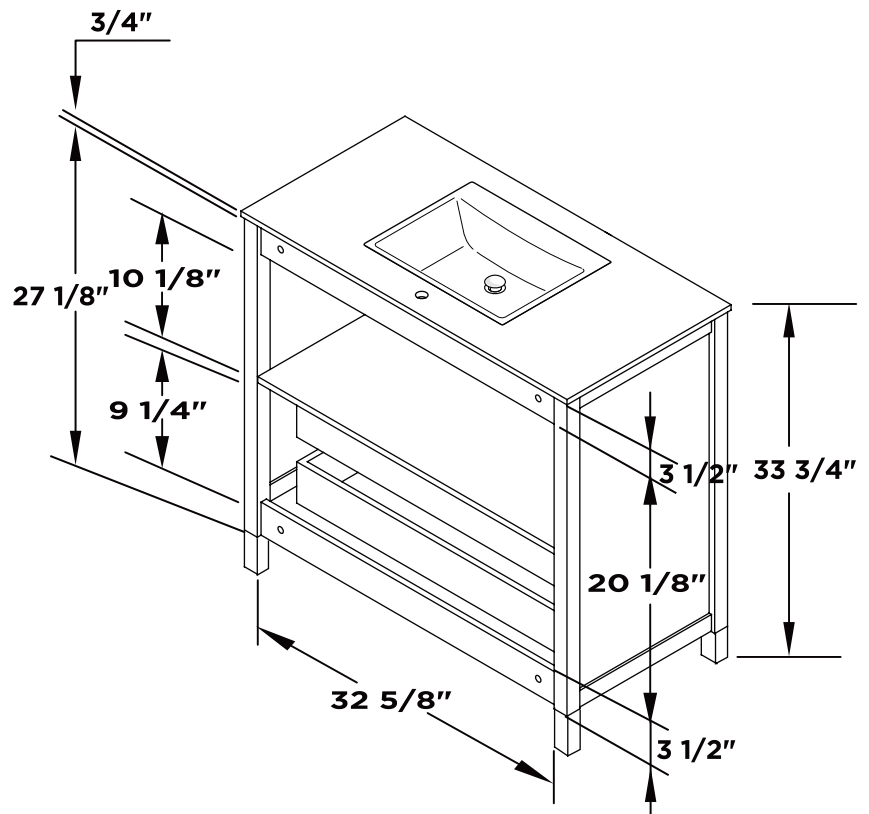
Mirror



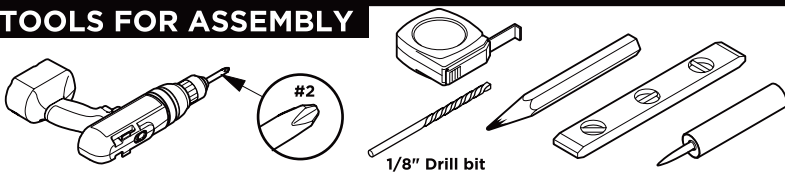
Vanity Front



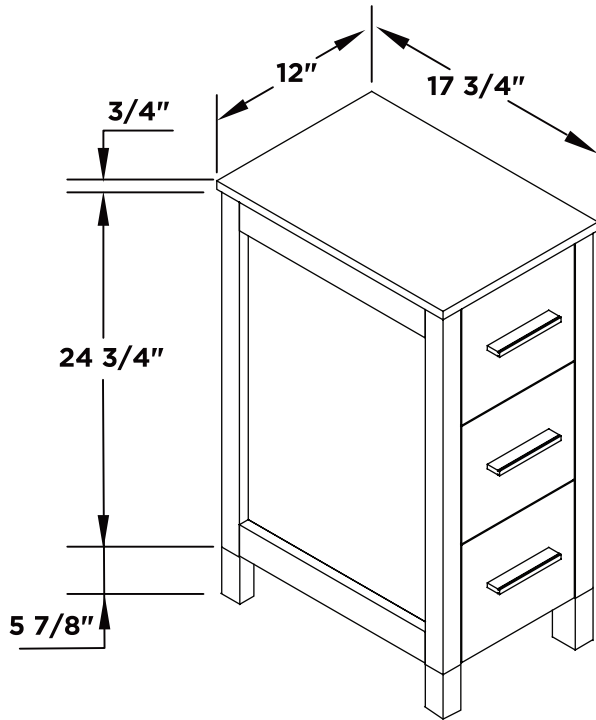
Vanity Back



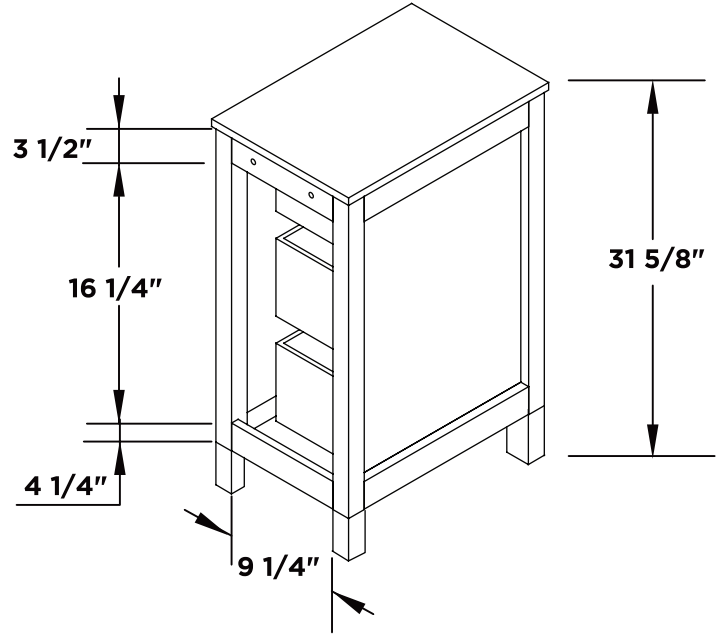
## TOOLS FOR ASSEMBLY



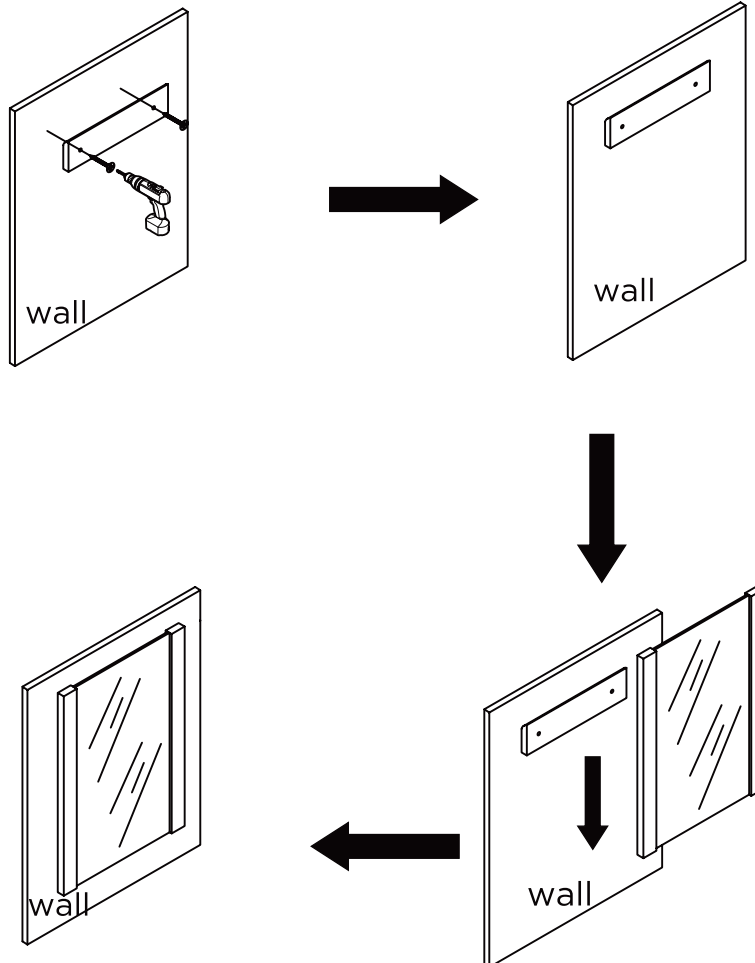
Side Cabinet Front



Side Cabinet Back

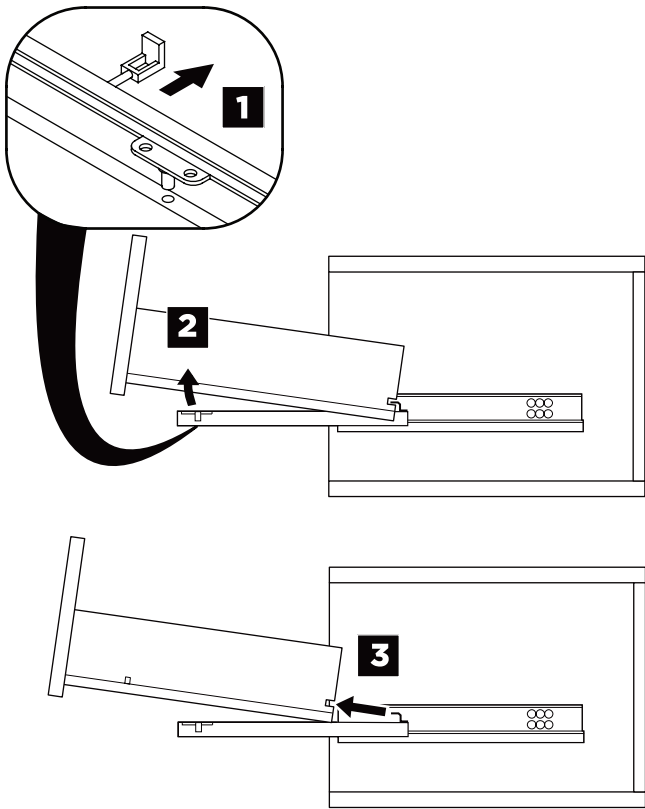


## MIRROR INSTALLATION

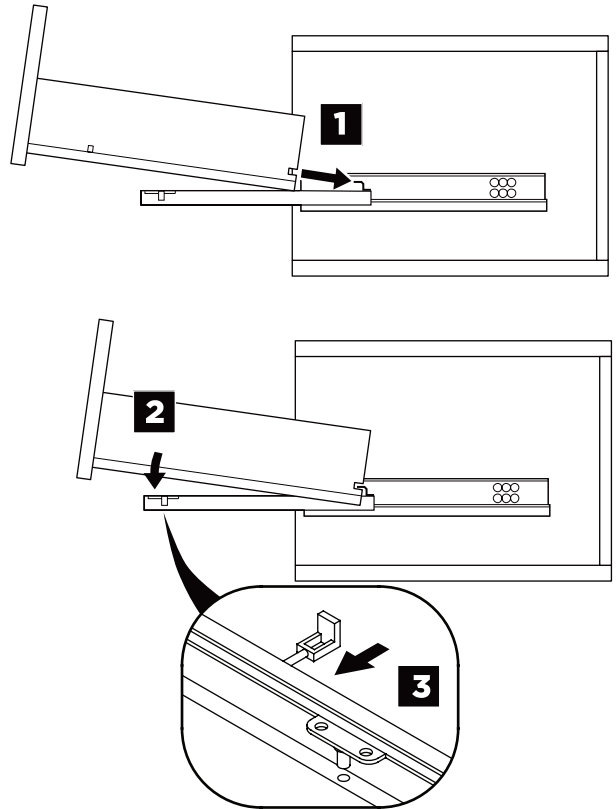


# DRAWER REMOVAL & INSTALLATION

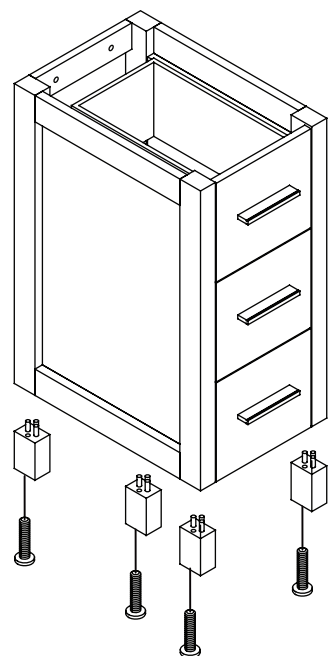
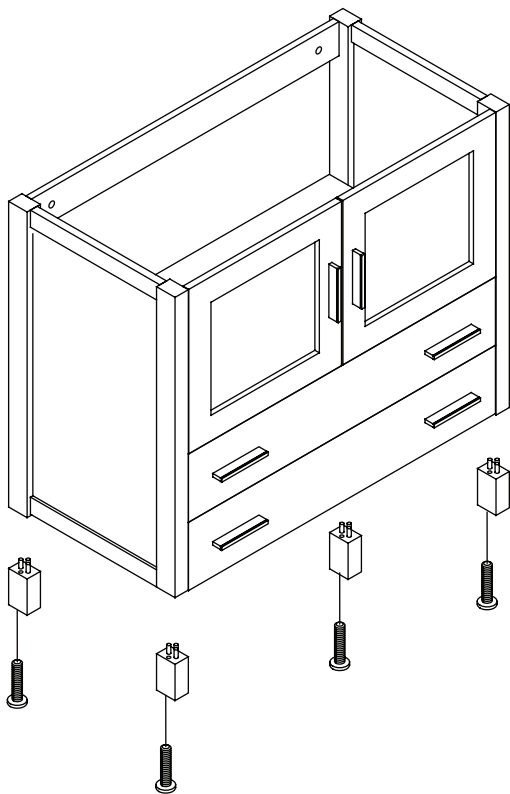
## REMOVAL



## INSTALLATION



## 1 Install leg



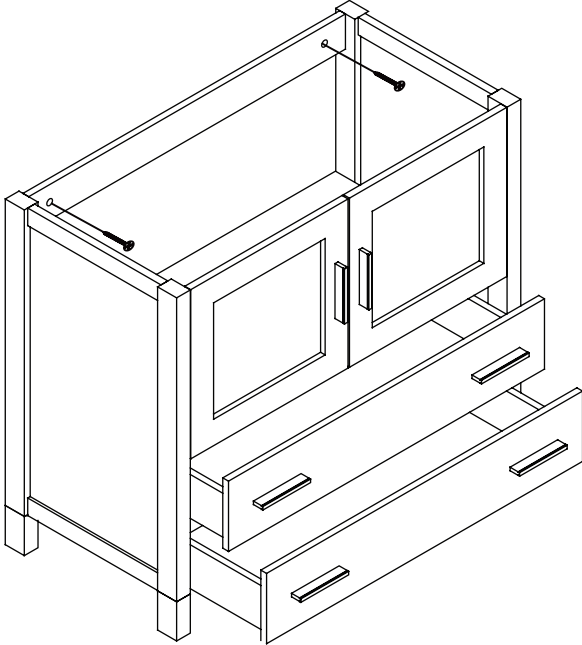
2

Remove side cabinet drawer

3

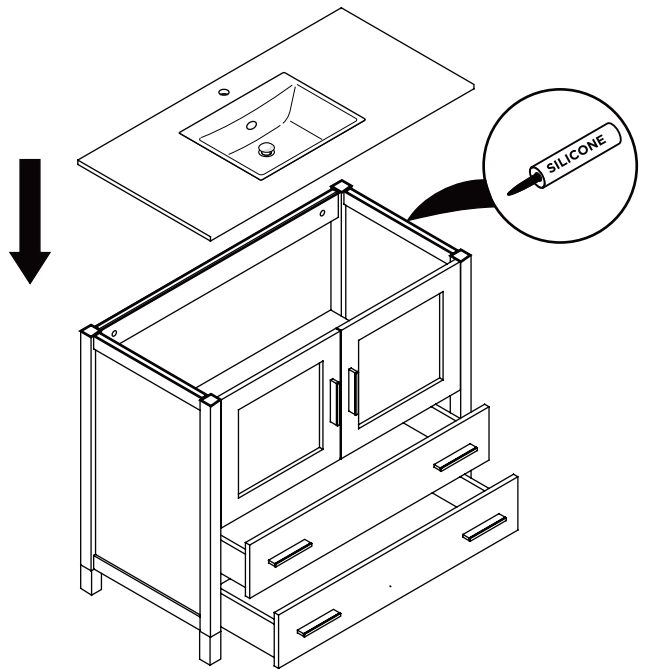
Install side cabinet

**IMPORTANT:** Consult an expert for the proper screws/bolts to use when attaching to various wall constructions. Screws provided do not attach to all wall construction types.



4

Install top panel

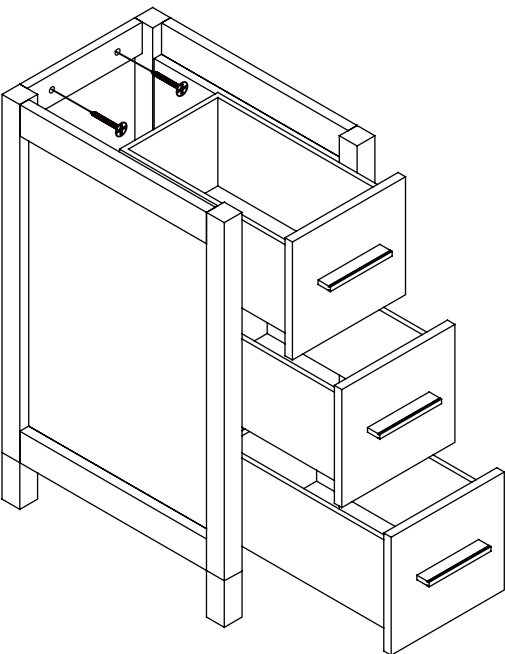


5

Remove side cabinet drawer

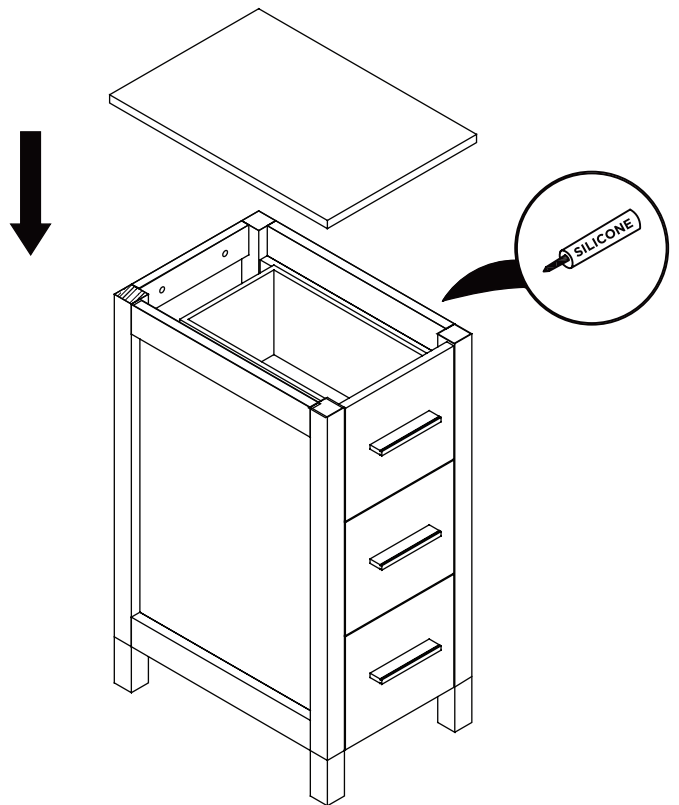
6

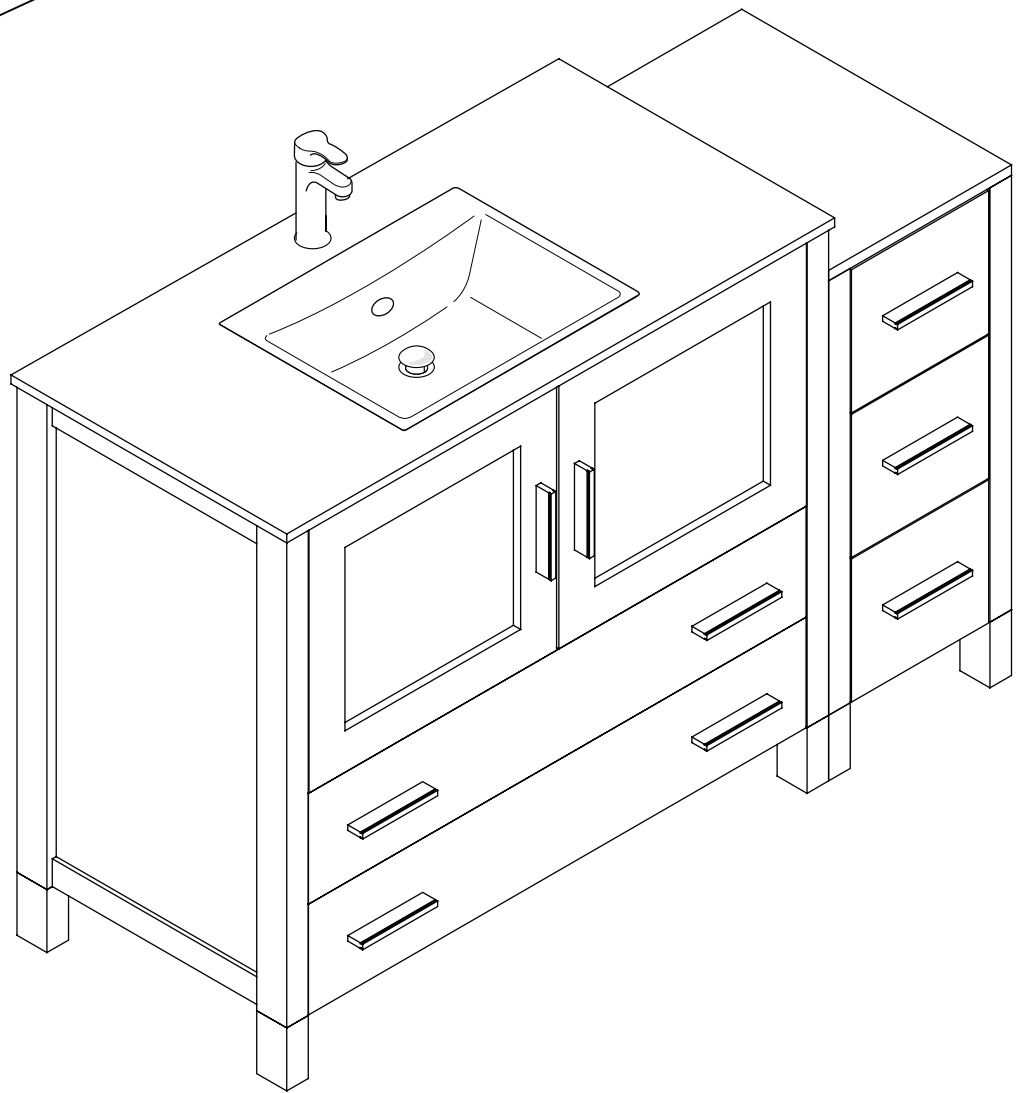
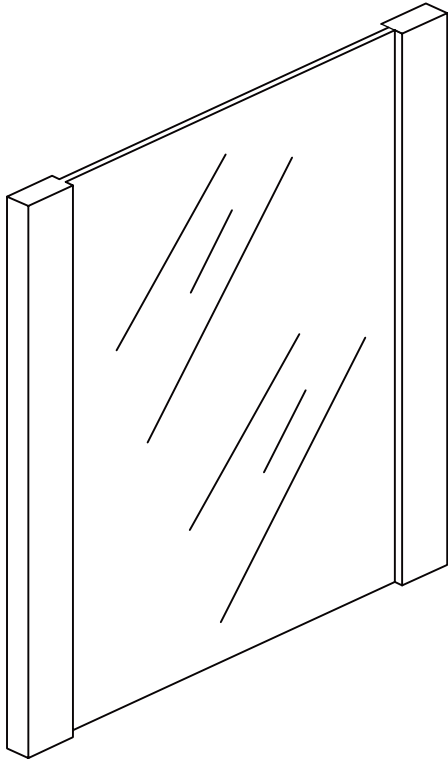
Install side cabinet



7

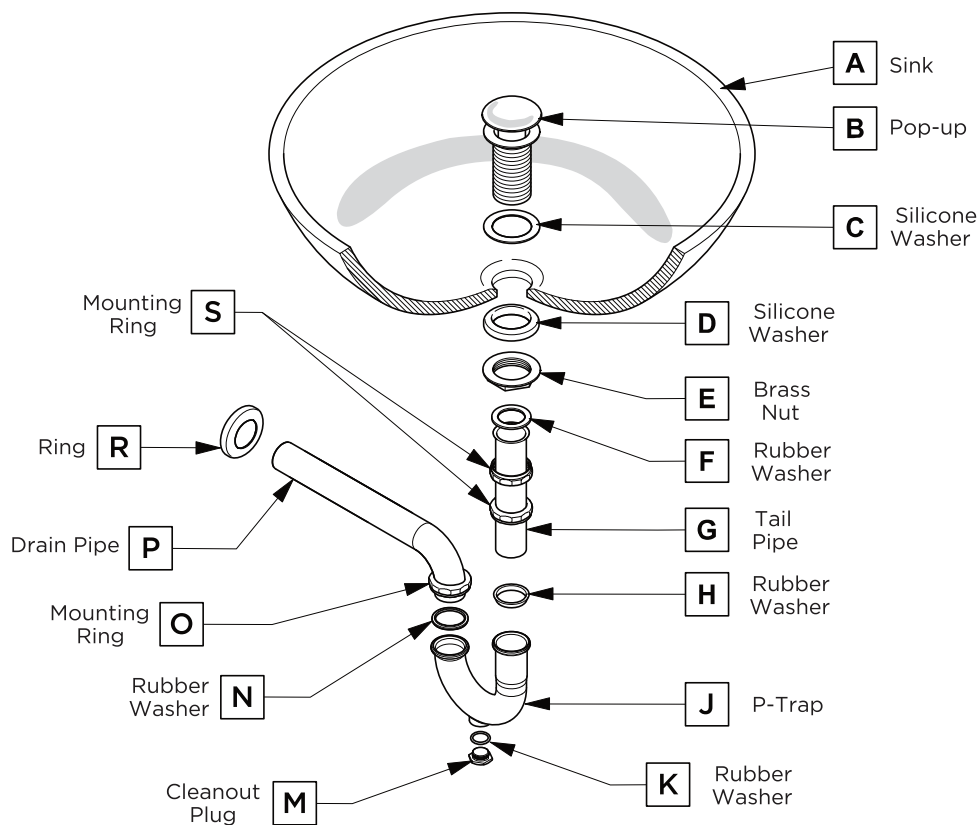
Install side cabinet top panel





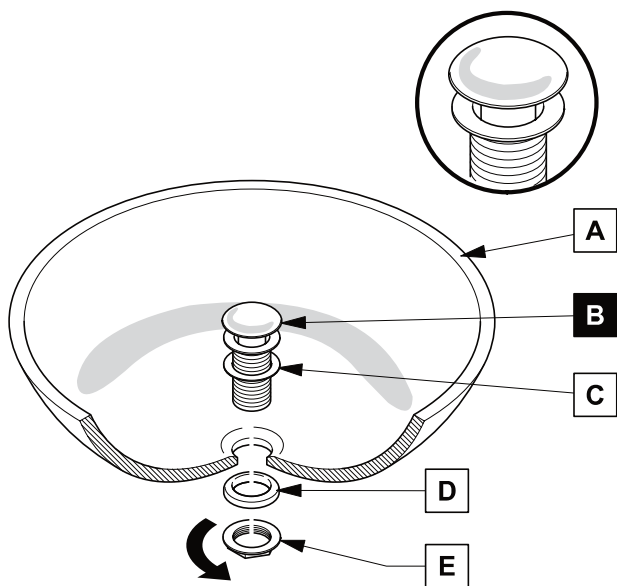
## P-TRAP AND POP-UP INSTALLATION INSTRUCTIONS

Your item may appear slightly different from the illustration



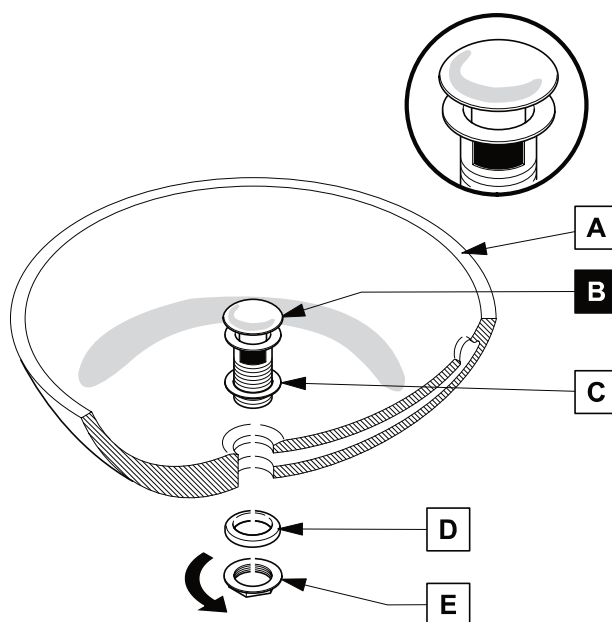
### POP-UP INSTALLATION

#### FOR SINKS WITHOUT OVERFLOW



OR

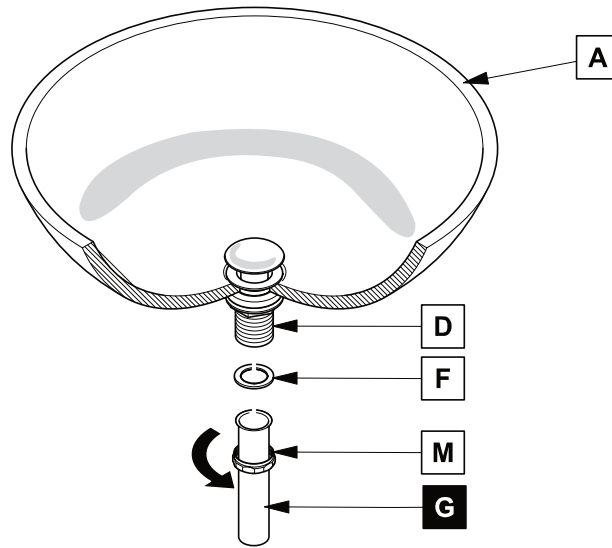
#### FOR SINKS WITH OVERFLOW



# P-TRAP INSTALLATION

1

Install tail pipe (G)



2

Install p-trap (J)

