



# FVN6236-VSL TORINO

## INSTALLATION GUIDE

### CONTENTS:

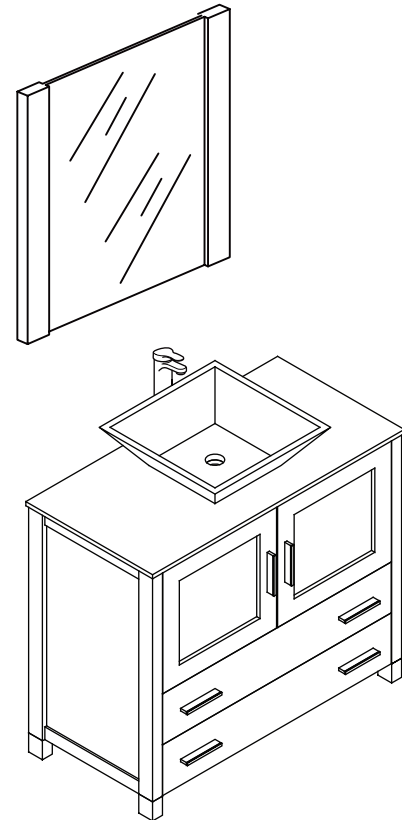
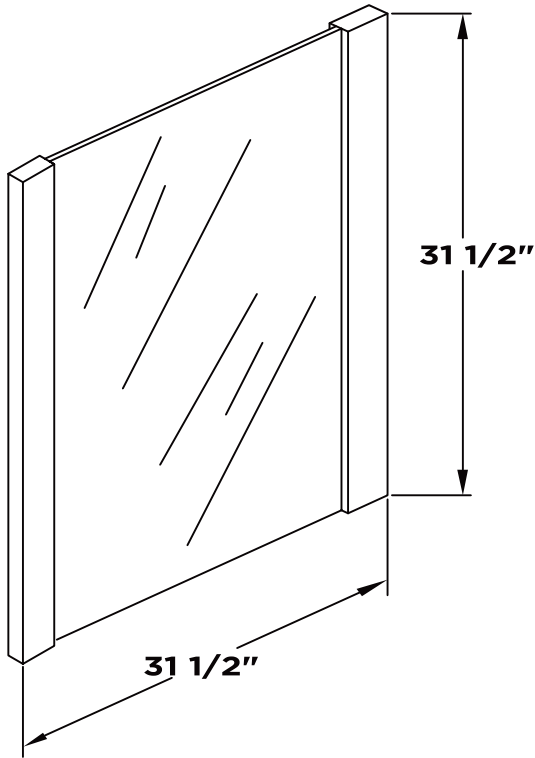
Cabinet.....	(FCB6236).....	PAGE 3
Sink.....	(FVS6217).....	PAGE 4
Mirror.....	(FMR6236).....	PAGE 2
Countertop.....	(FCT6236).....	PAGE 4



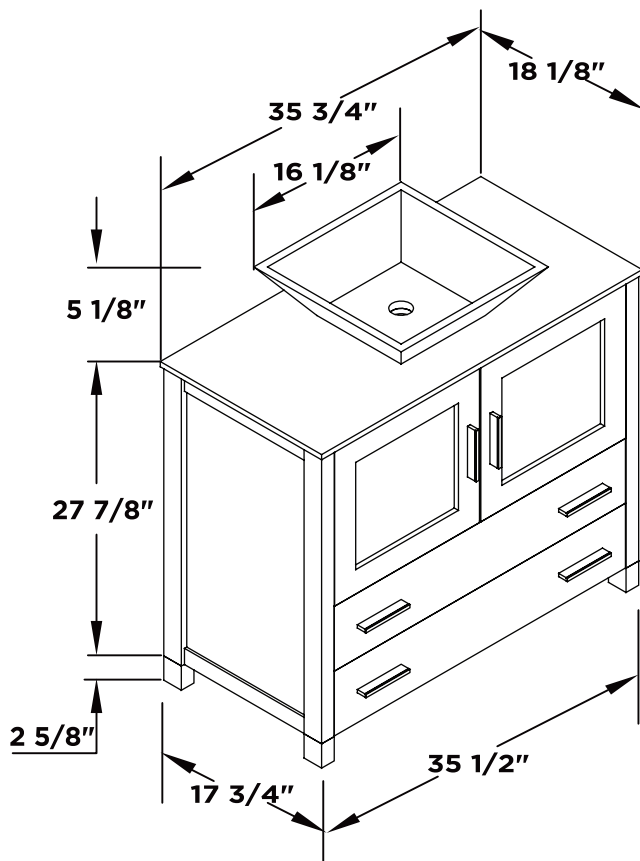
**FVN6236-VSL**  
**TORINO**  
**INSTALLATION GUIDE**



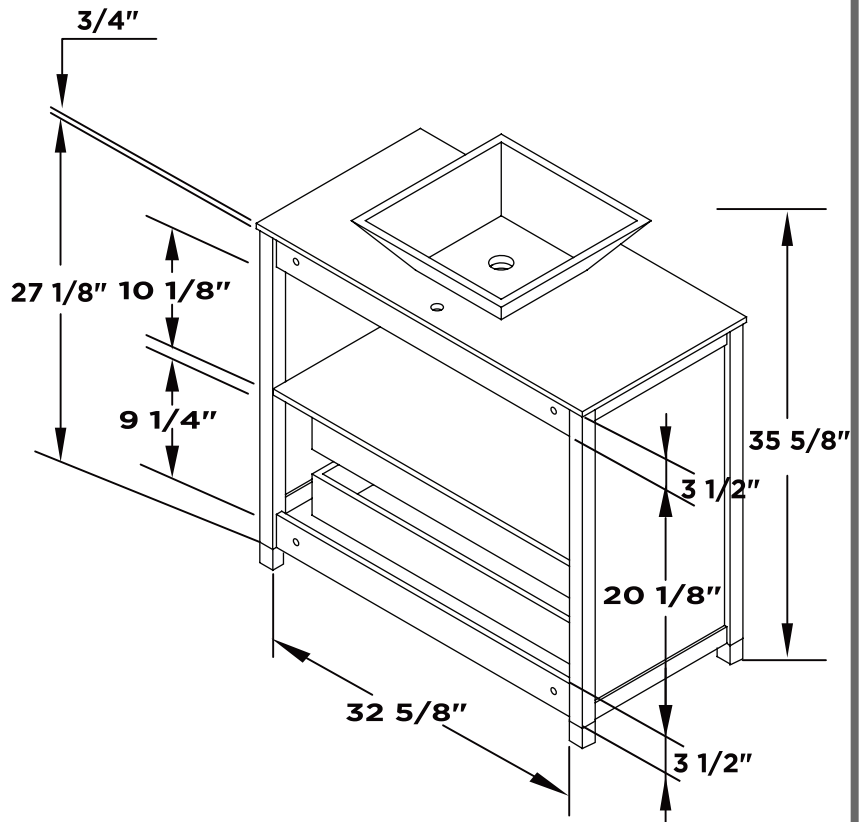
Mirror



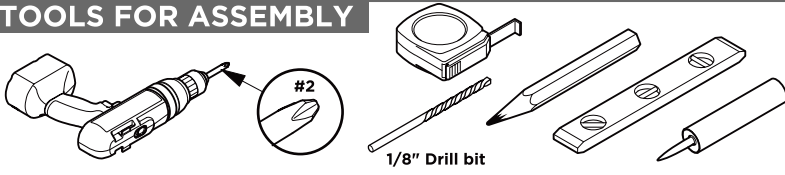
Vanity Front



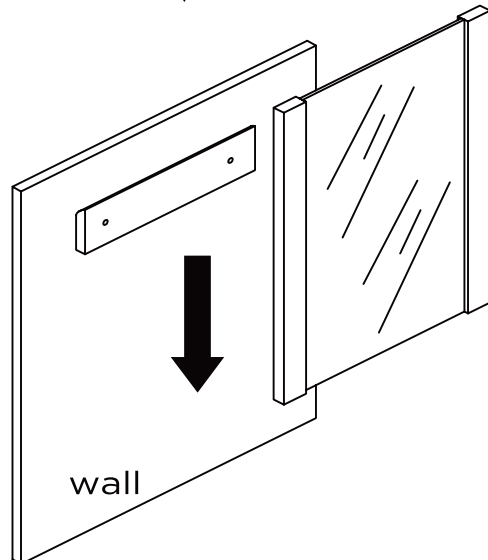
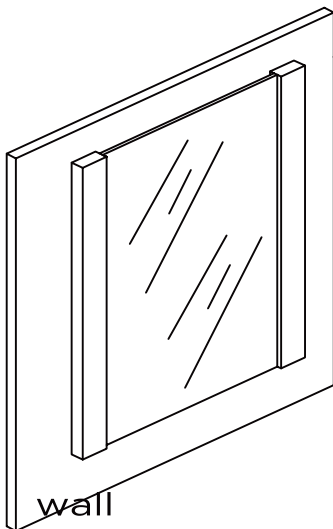
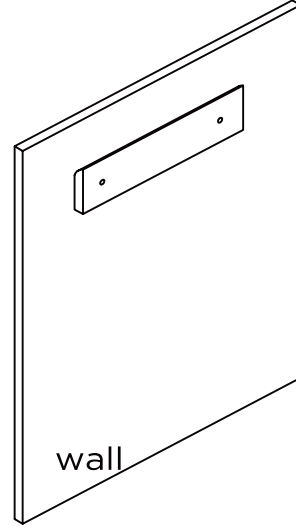
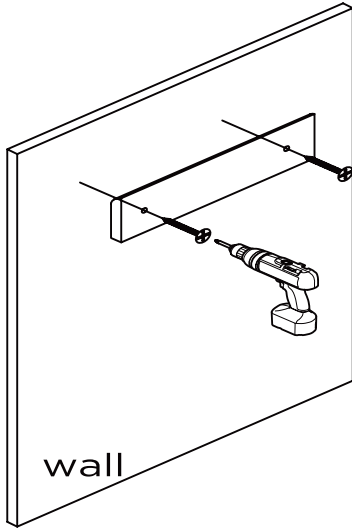
Vanity Back



**TOOLS FOR ASSEMBLY**

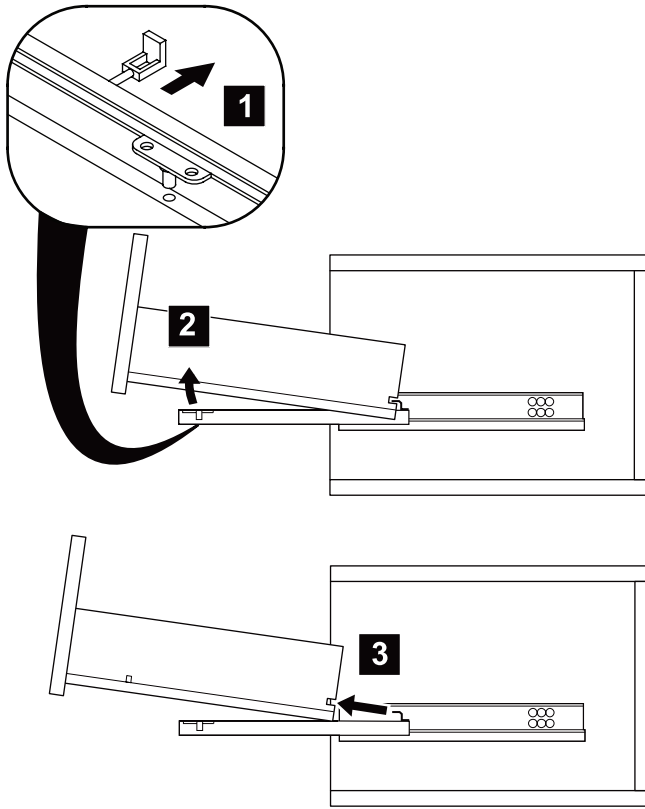


**MIRROR INSTALLATION**

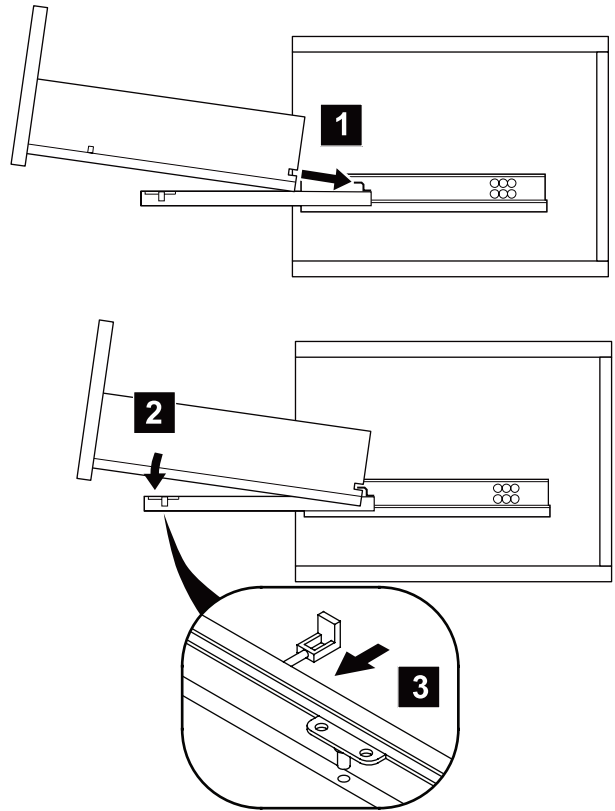


# DRAWER REMOVAL & INSTALLATION

## REMOVAL



## INSTALLATION

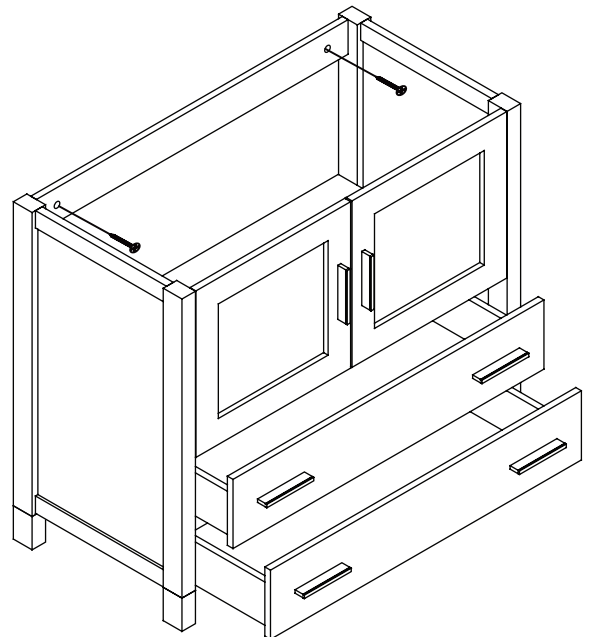
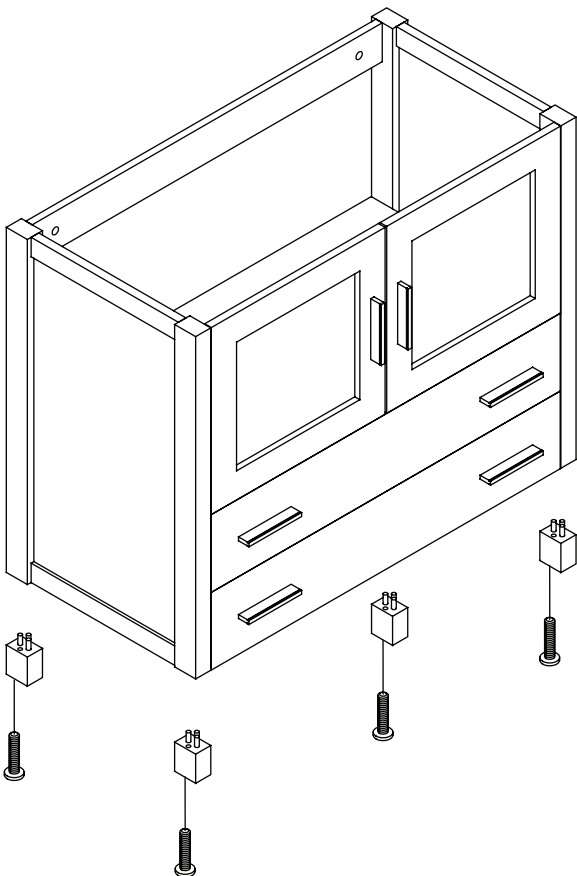


**1** Install leg

**2** Remove drawer

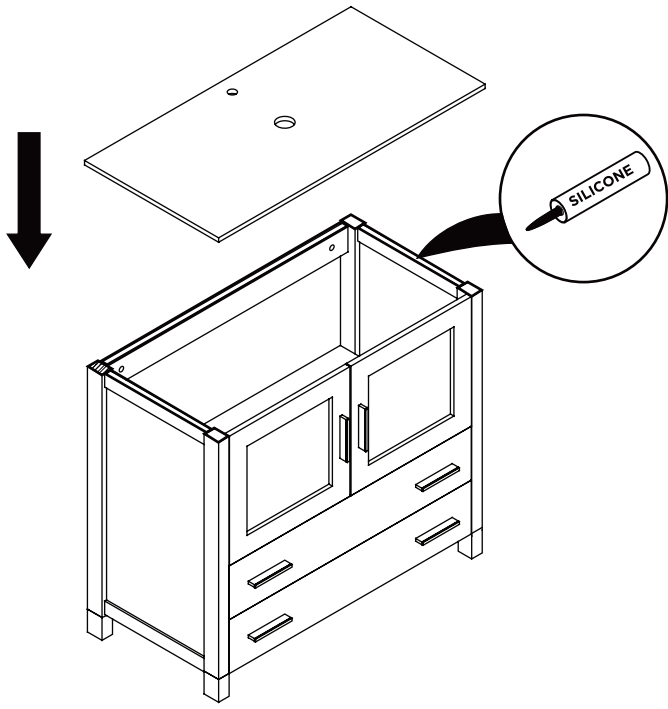
**3** Install cabinet

**IMPORTANT:** Consult an expert for the proper screws/bolts to use when attaching to various wall constructions. Screws provided do not attach to all wall construction types.



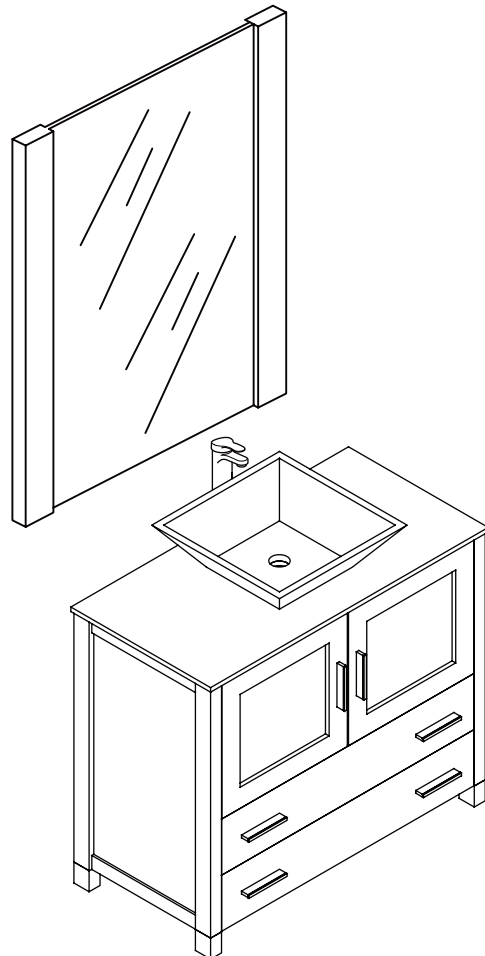
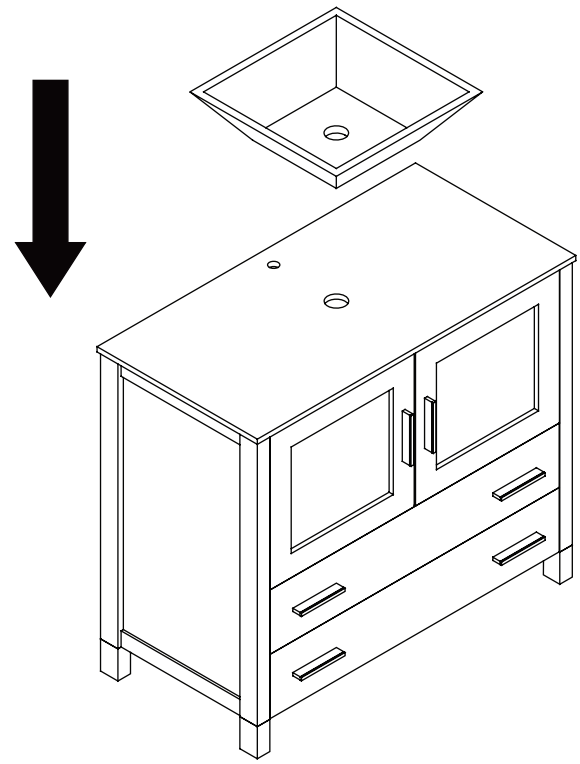
**4**

Install Top panel



**5**

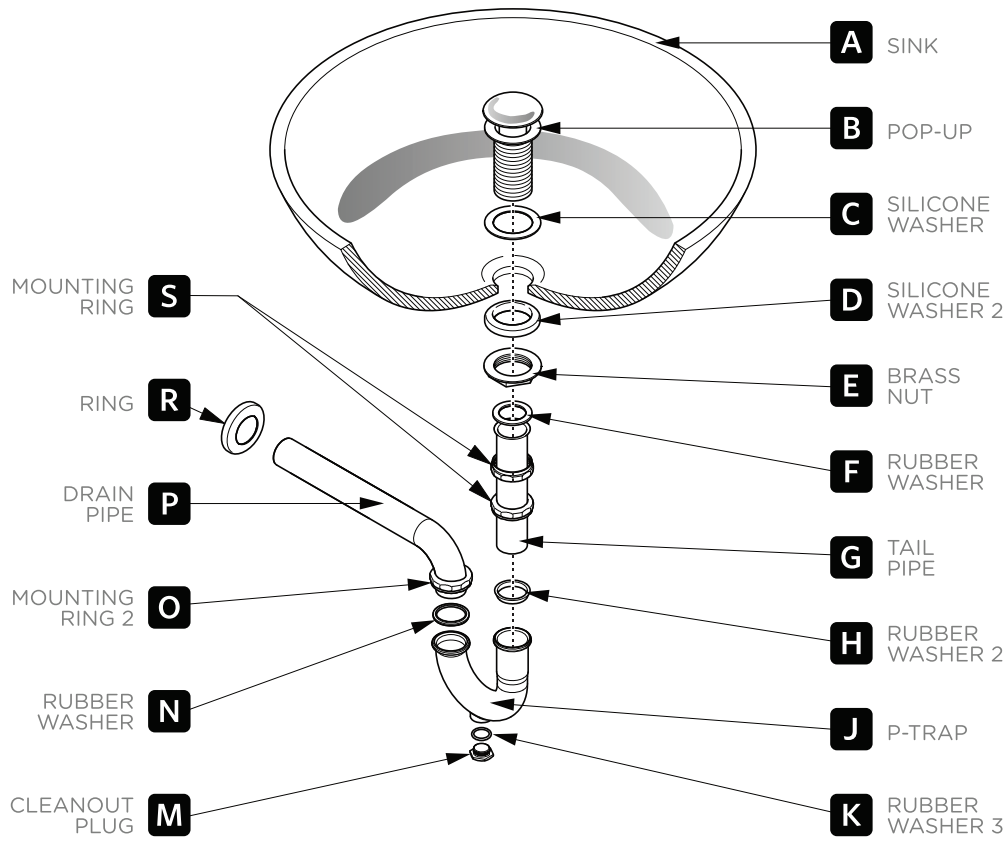
Install Sink



# P-TRAP & POP-UP

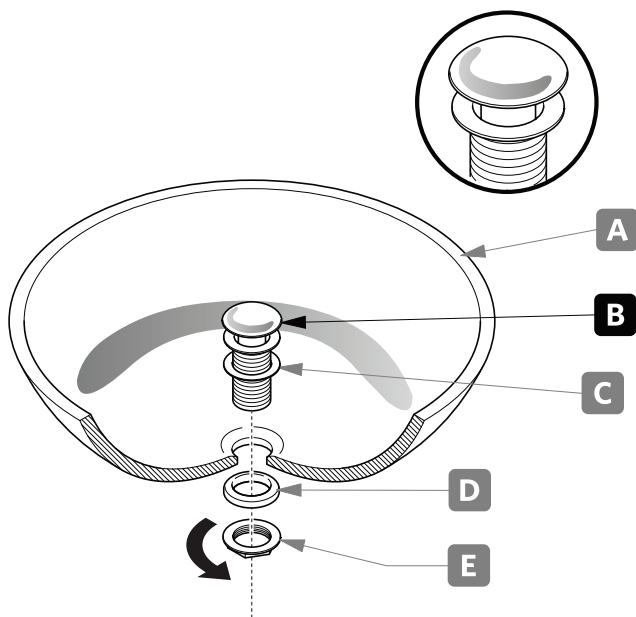
## INSTALLATION INSTRUCTIONS

Your item may appear slightly different from the illustration.



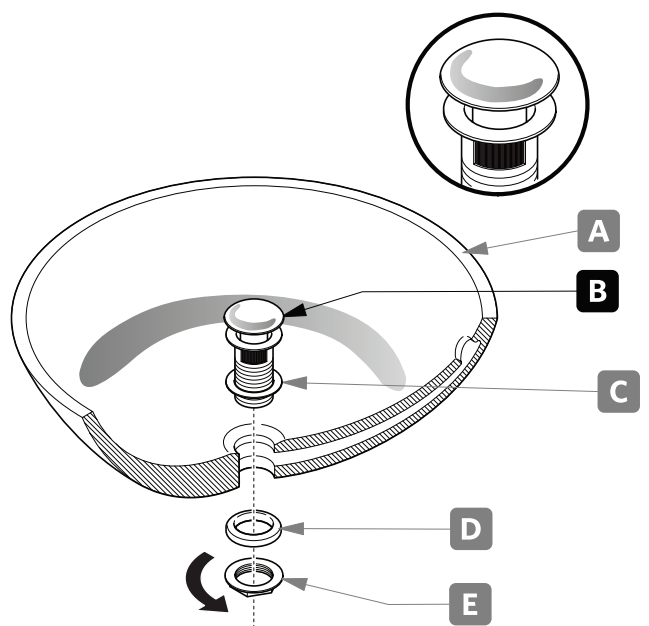
## POP-UP INSTALLATION

**FOR SINKS WITHOUT OVERFLOW**



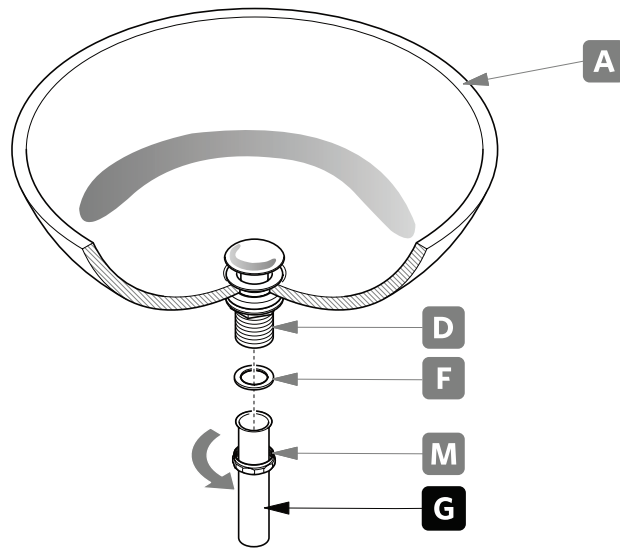
OR

**FOR SINKS WITH OVERFLOW**



# P-TRAP INSTALLATION

**1.** Install tail pipe (**G**).



**2.** Install P-trap (**J**).

