

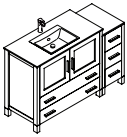


# FVN62-3612-UNS TORINO

## INSTALLATION GUIDE

### CONTENTS:

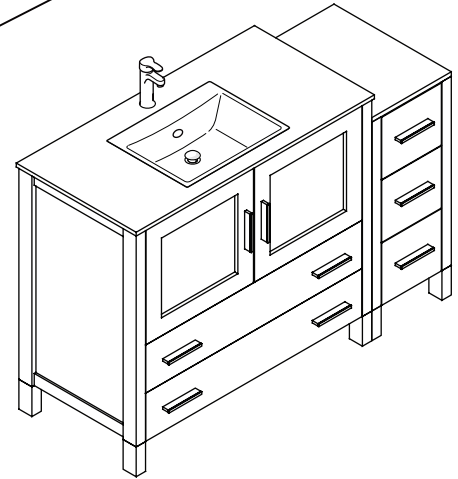
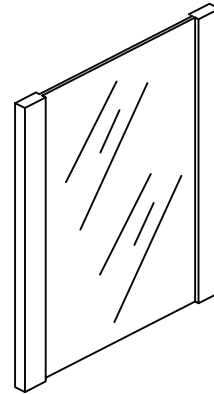
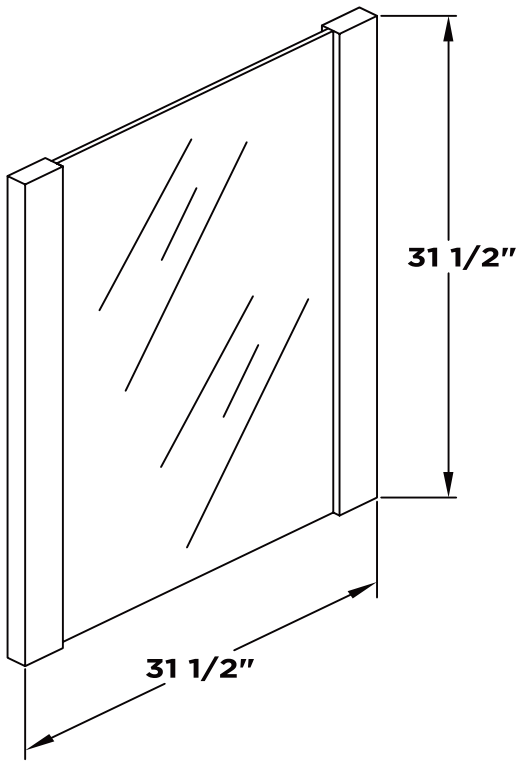
Cabinet.....	(FCB62-3612).....	PAGE 3
Sink.....	(FVS6236).....	PAGE 4
Mirror.....	(FMR6236).....	PAGE 2



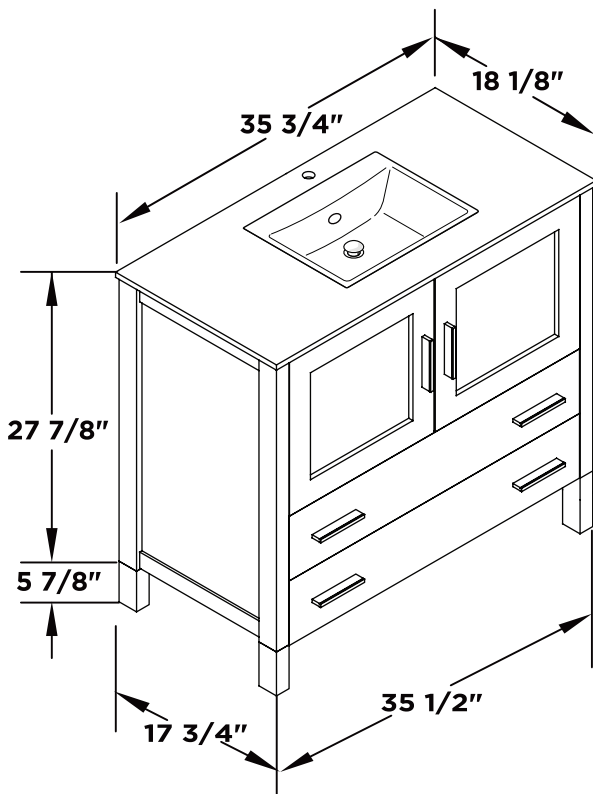
**FVN62-3612-UNS**  
**TORINO**  
**INSTALLATION GUIDE**



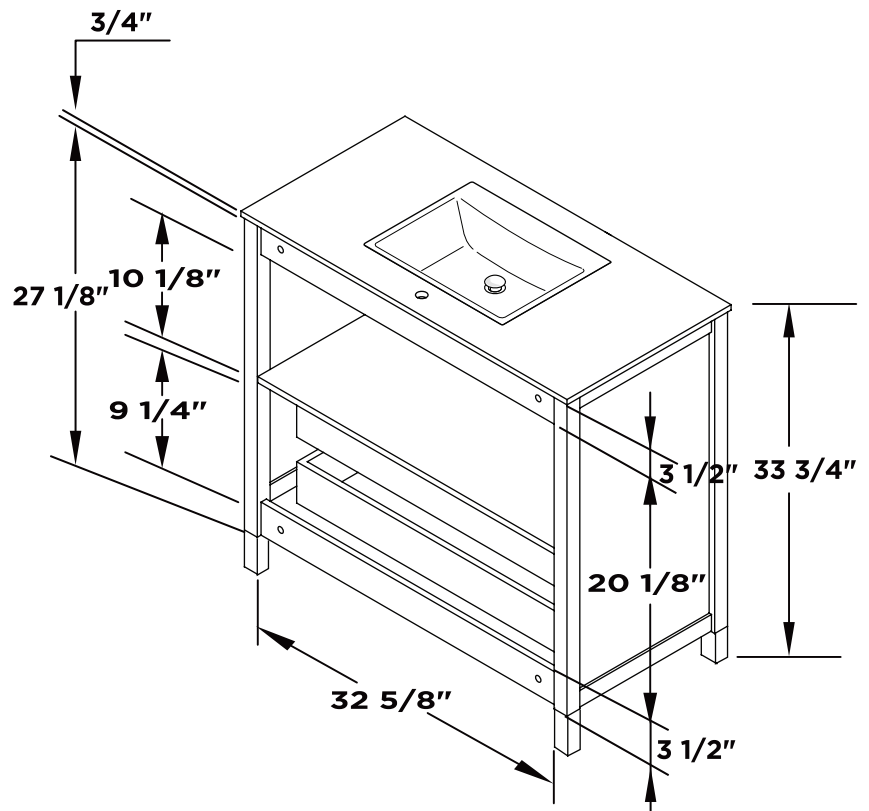
Mirror



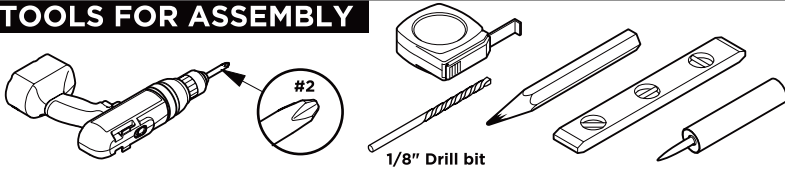
Vanity Front



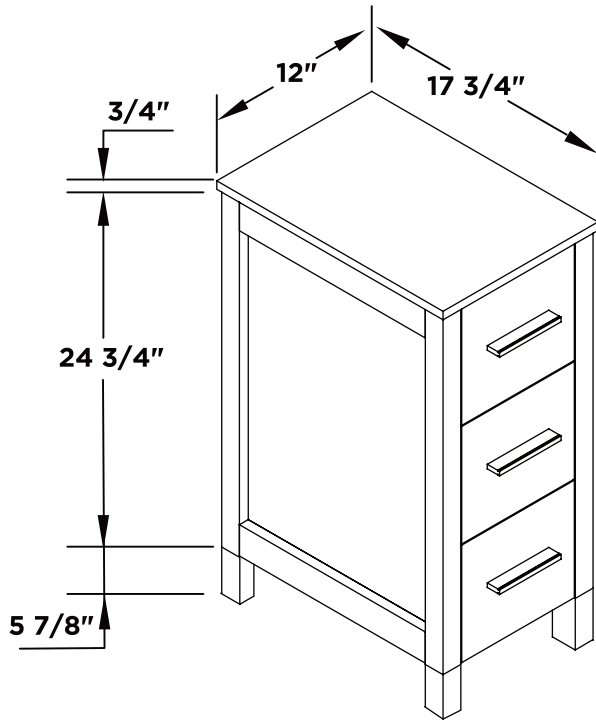
Vanity Back



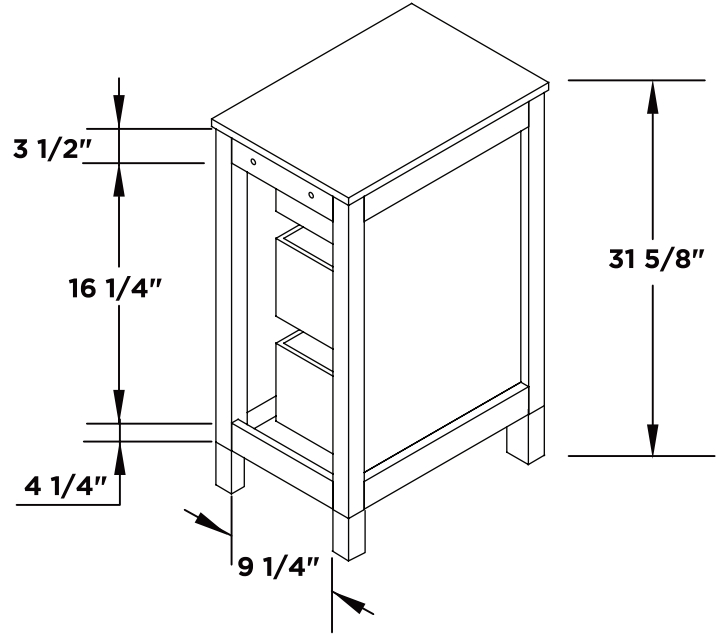
**TOOLS FOR ASSEMBLY**



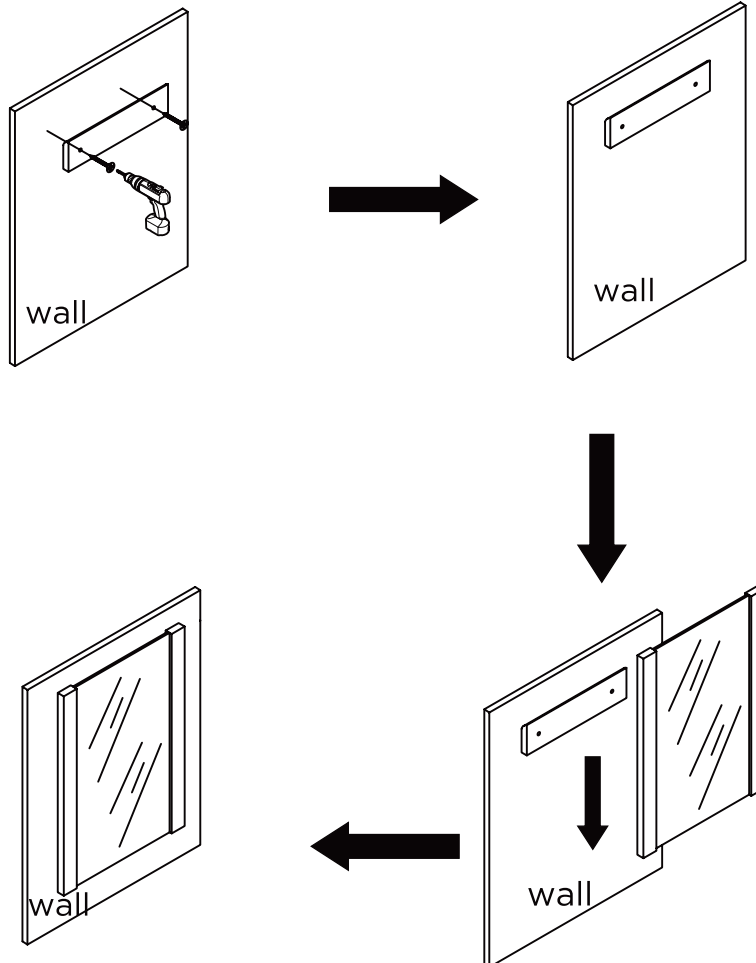
Side Cabinet Front



Side Cabinet Back

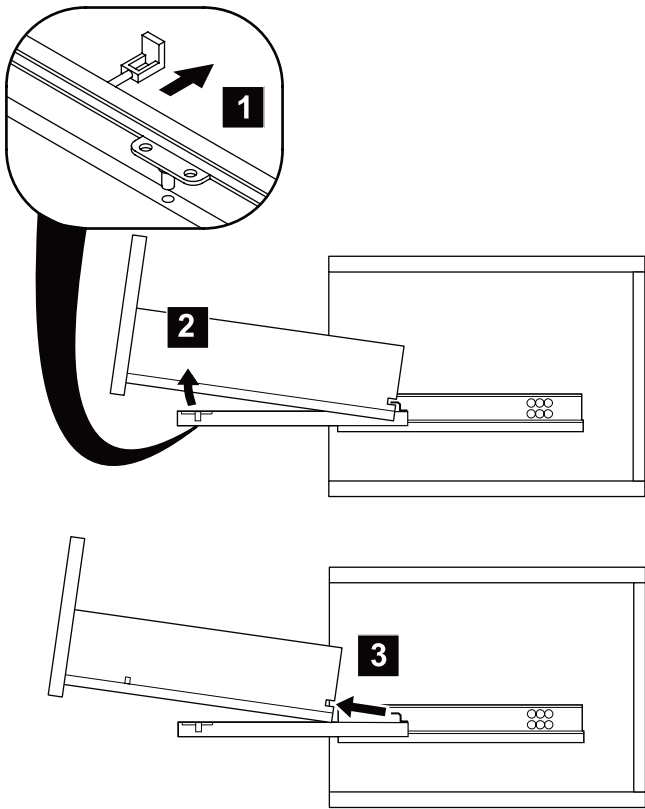


**MIRROR INSTALLATION**

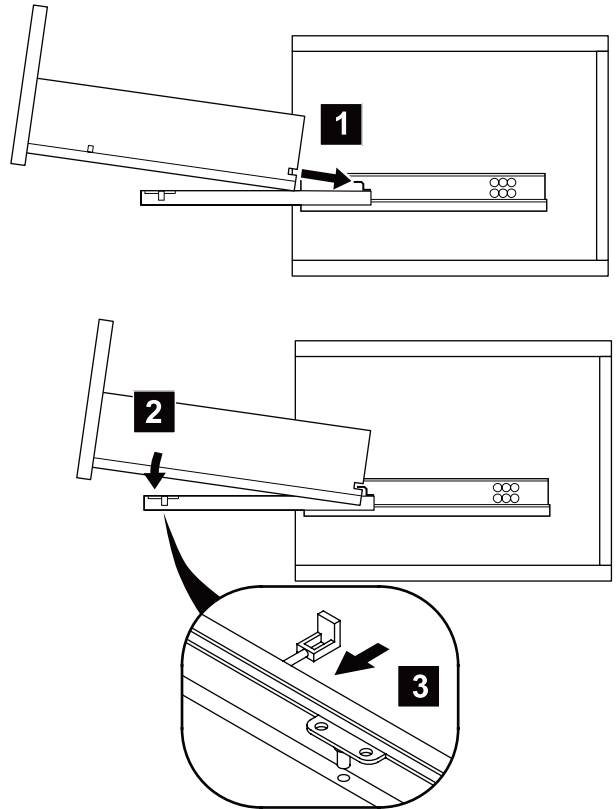


# DRAWER REMOVAL & INSTALLATION

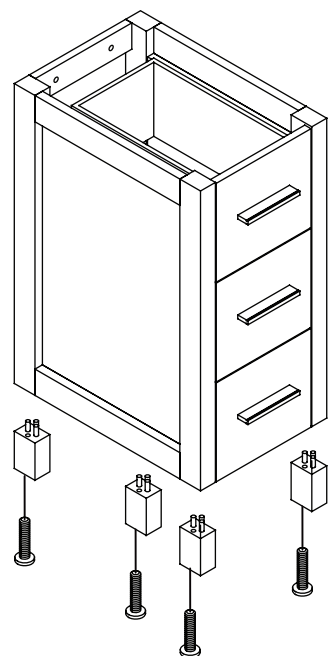
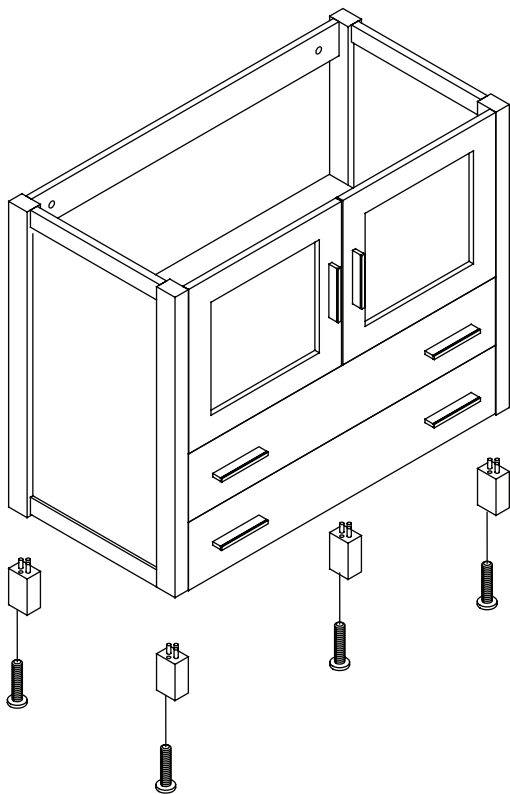
## REMOVAL



## INSTALLATION



## 1 Install leg



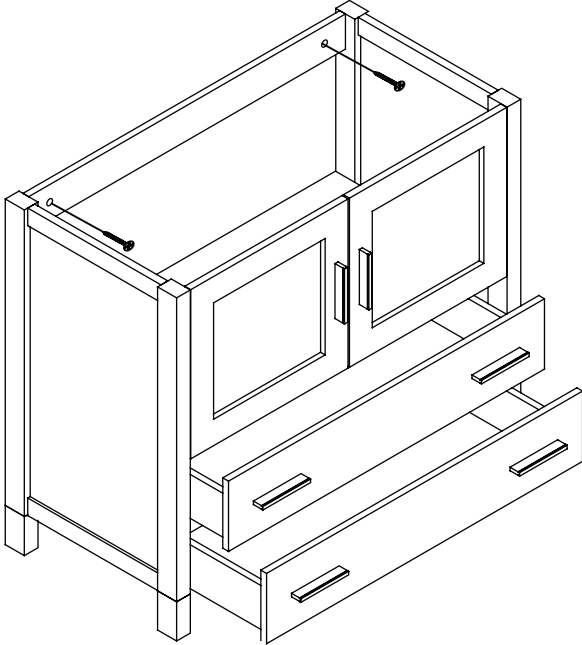
2

Remove side cabinet drawer

3

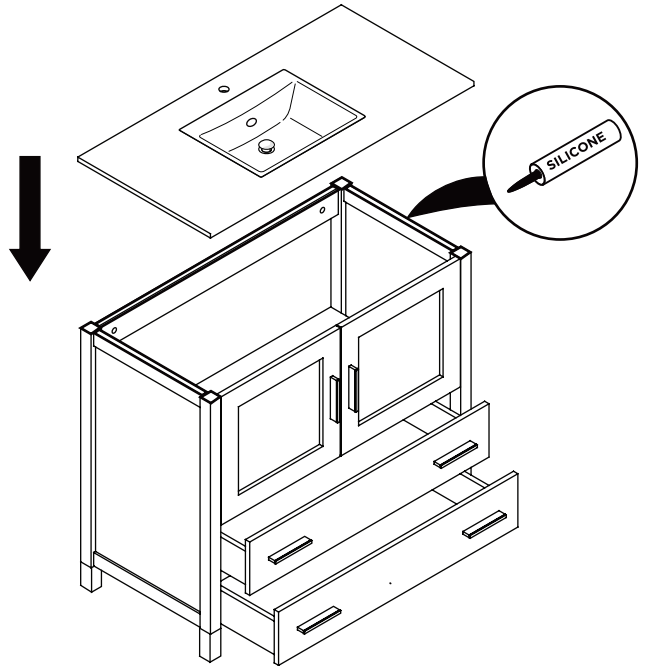
Install side cabinet

**IMPORTANT:** Consult an expert for the proper screws/bolts to use when attaching to various wall constructions. Screws provided do not attach to all wall construction types.



4

Install top panel

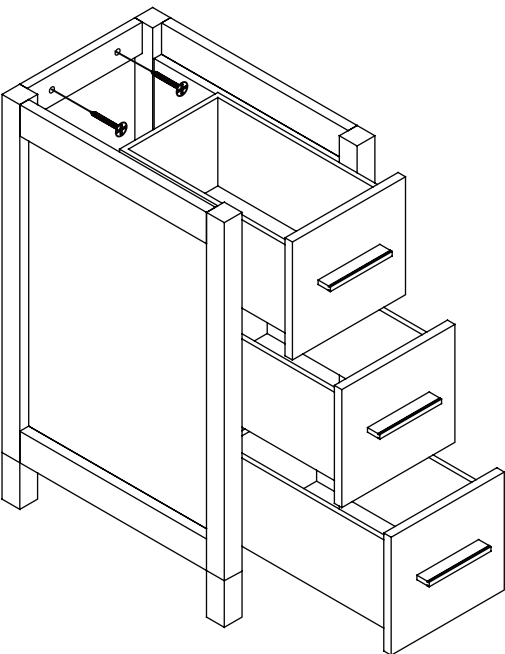


5

Remove side cabinet drawer

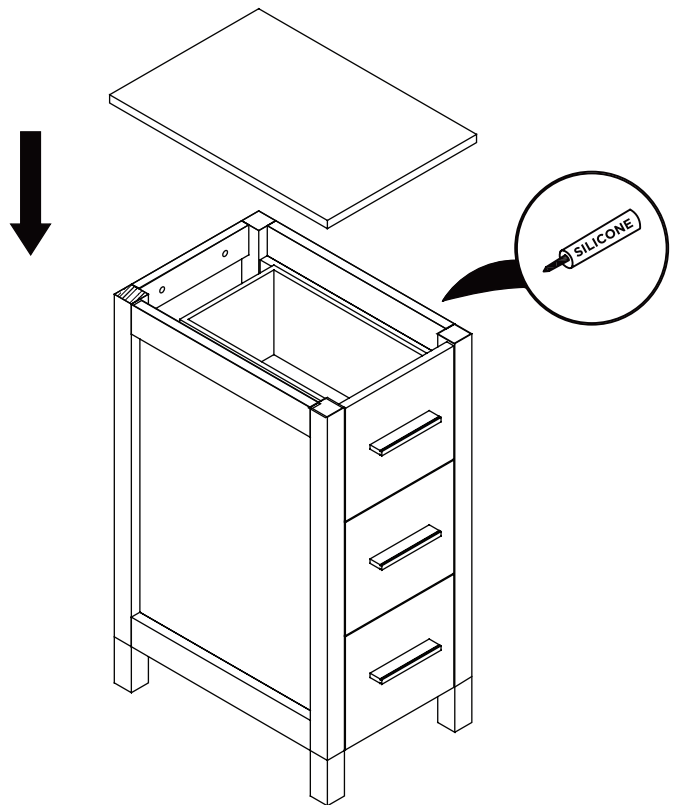
6

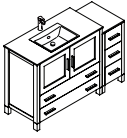
Install side cabinet



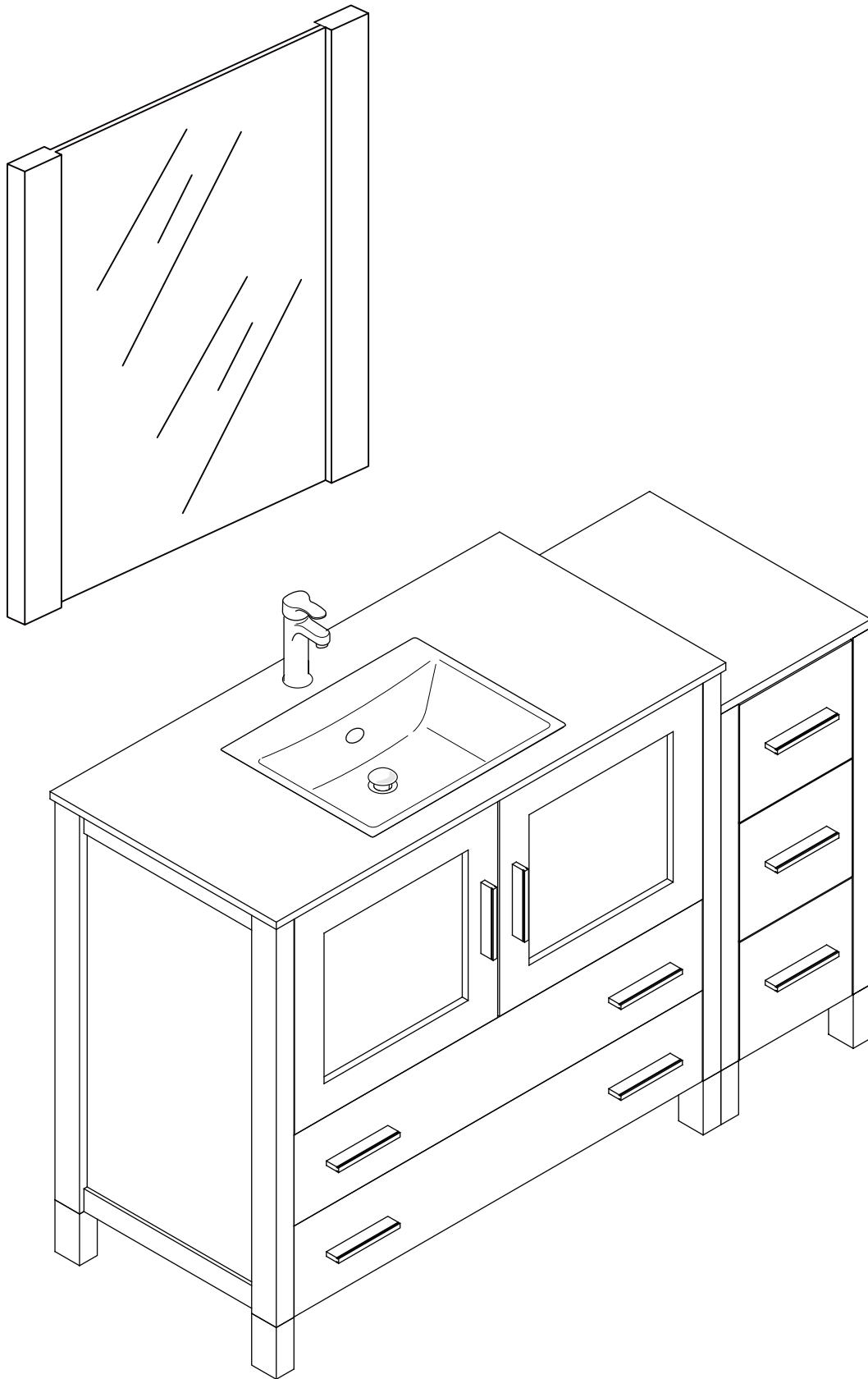
7

Install side cabinet top panel





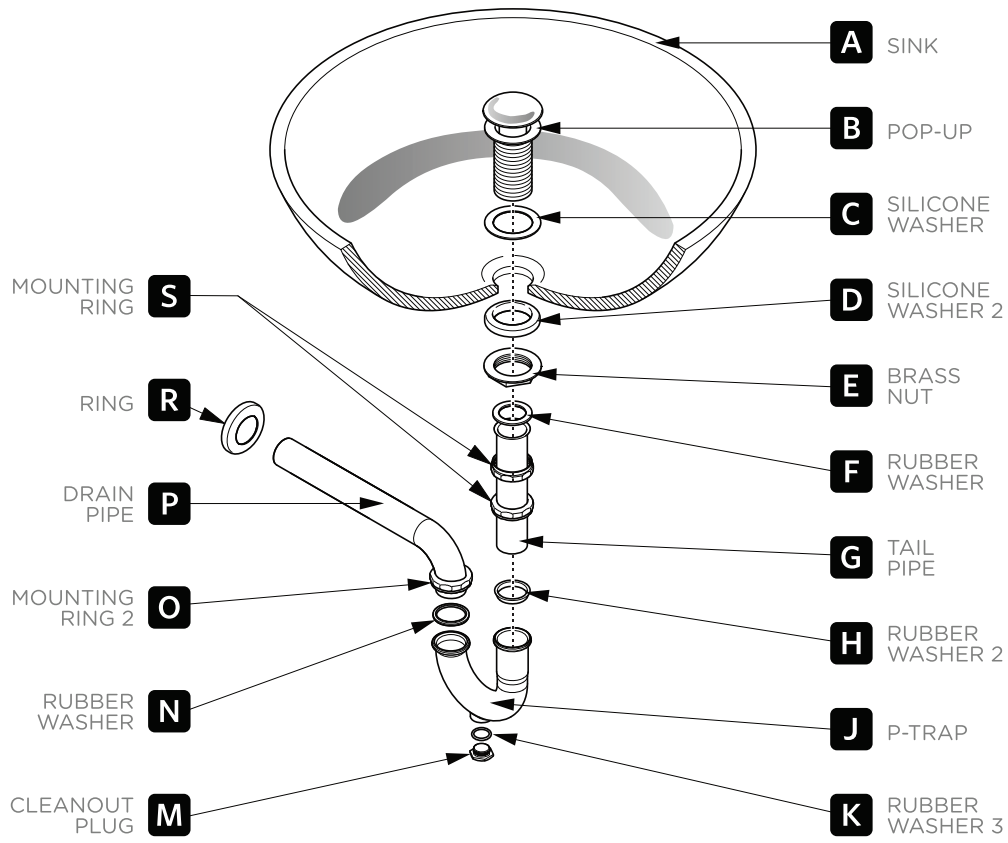
# FVN62-3612-UNS TORINO INSTALLATION GUIDE



# P-TRAP & POP-UP

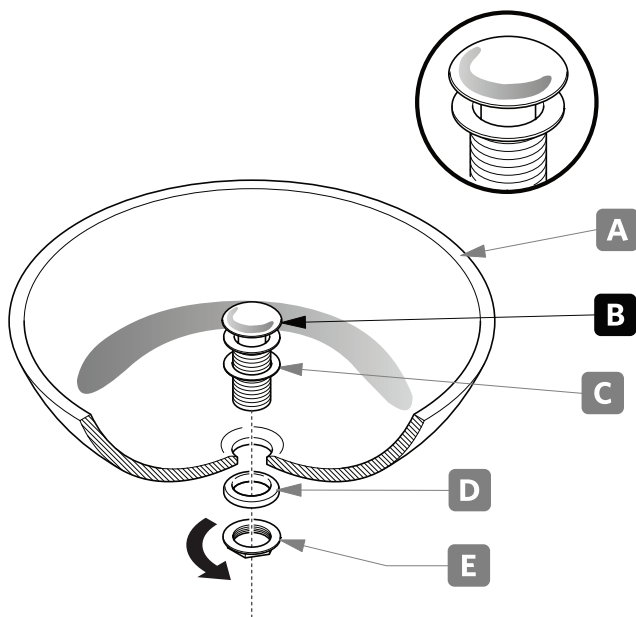
## INSTALLATION INSTRUCTIONS

Your item may appear slightly different from the illustration.



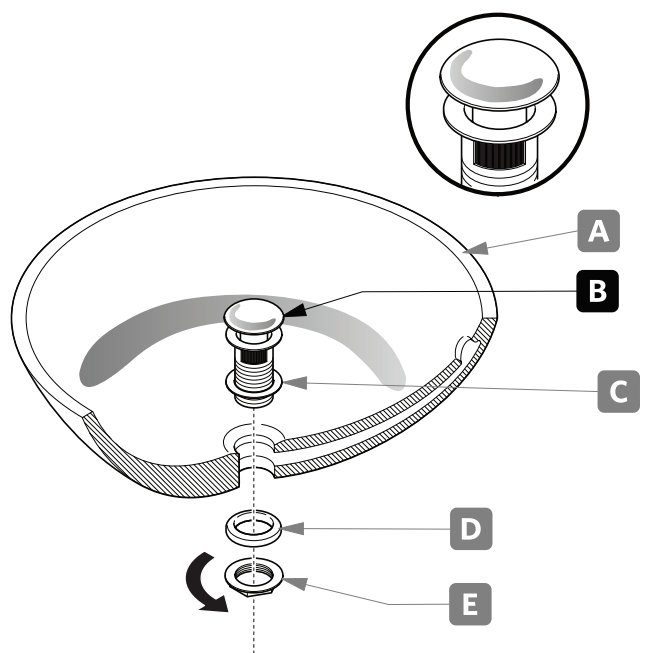
## POP-UP INSTALLATION

**FOR SINKS WITHOUT OVERFLOW**



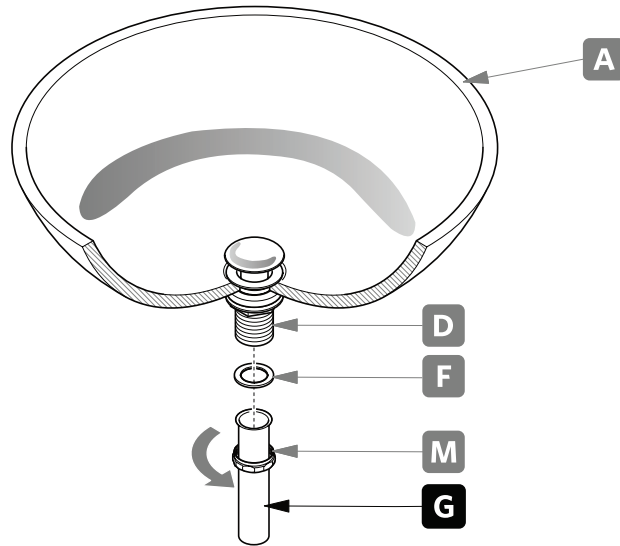
OR

**FOR SINKS WITH OVERFLOW**



# P-TRAP INSTALLATION

**1.** Install tail pipe (**G**).



**2.** Install P-trap (**J**).

