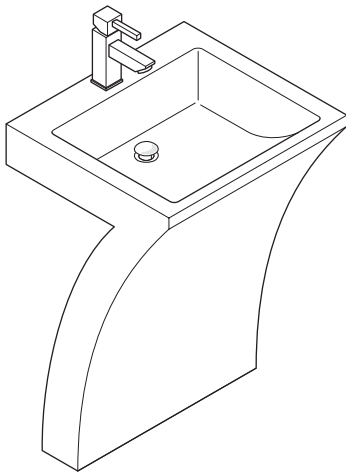
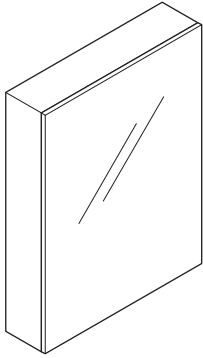
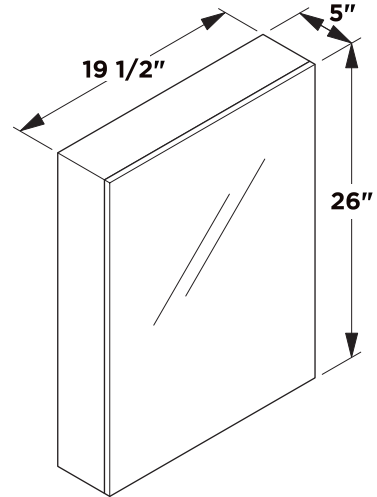


FVN5024  
**QUADRO**  
**INSTALLATION GUIDE**

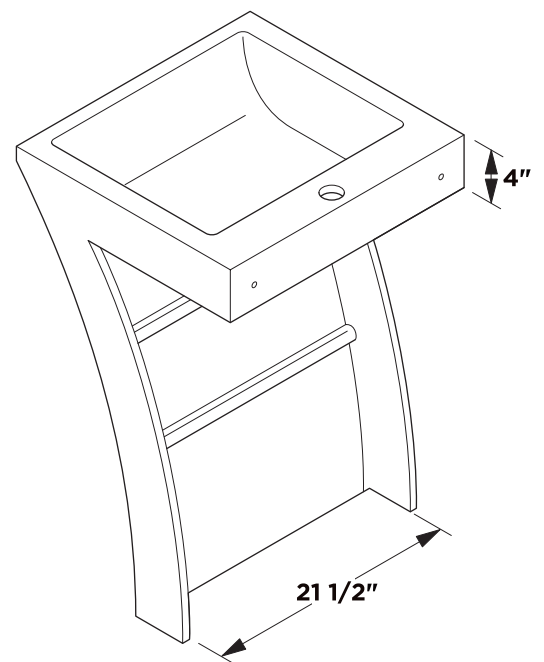
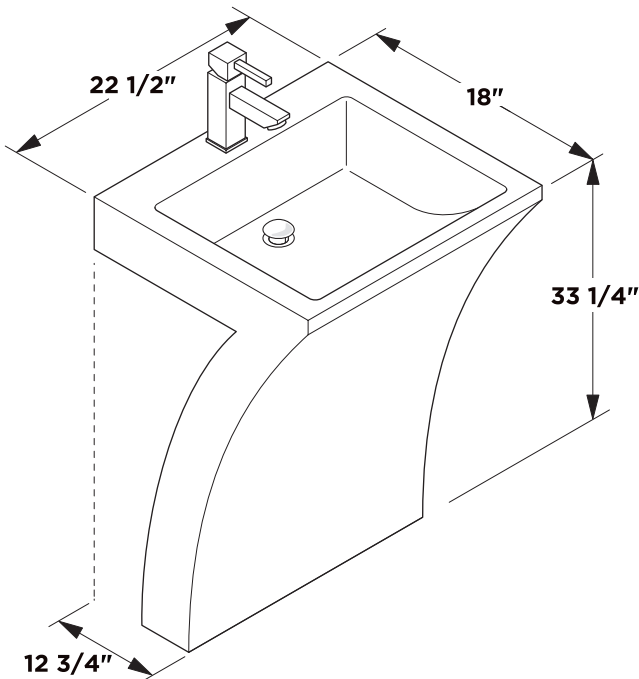


Vanity Front

Medicine Cabinet  
(Optional)

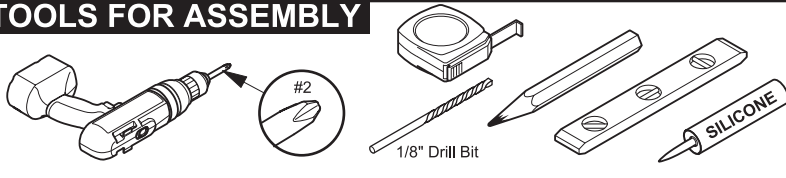


Vanity Back

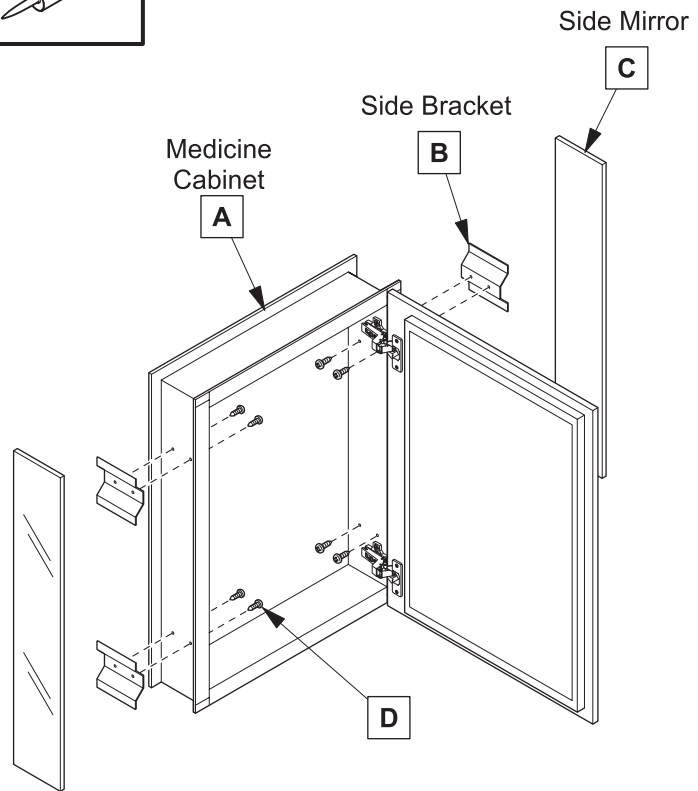
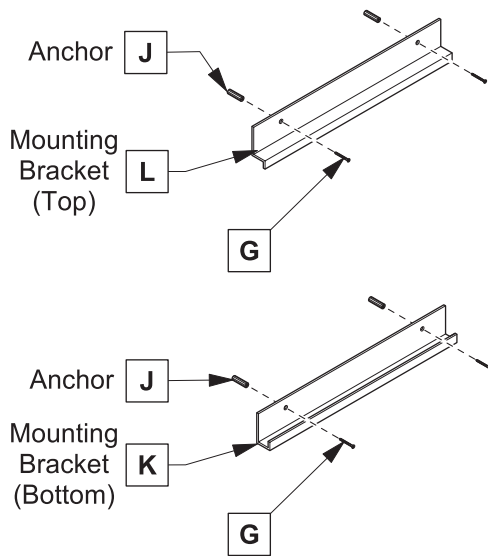


Note: All dimensions and specifications are approximate and subject to change without notice.

## TOOLS FOR ASSEMBLY

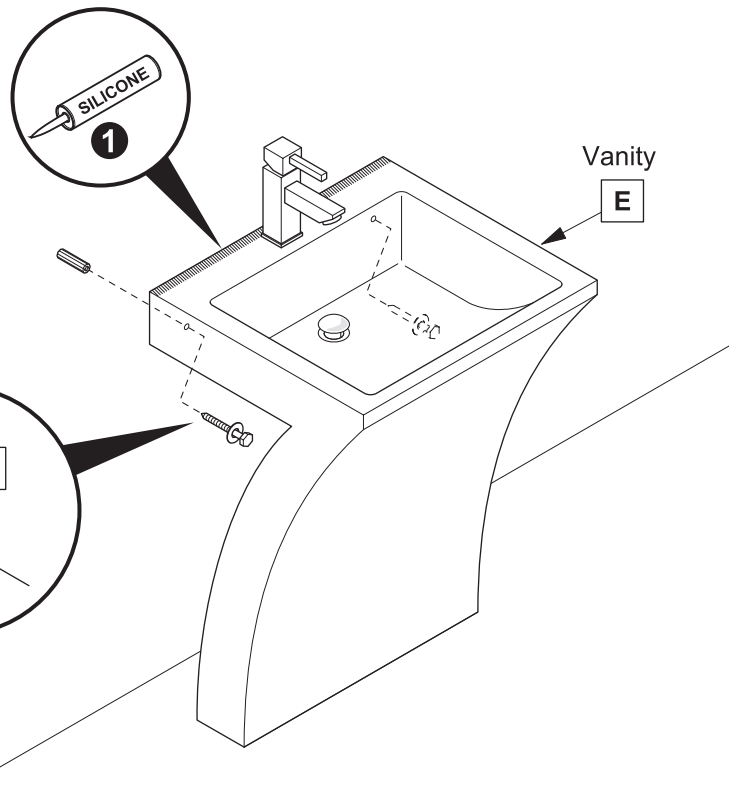


## PARTS



## 1 Install vanity (E)

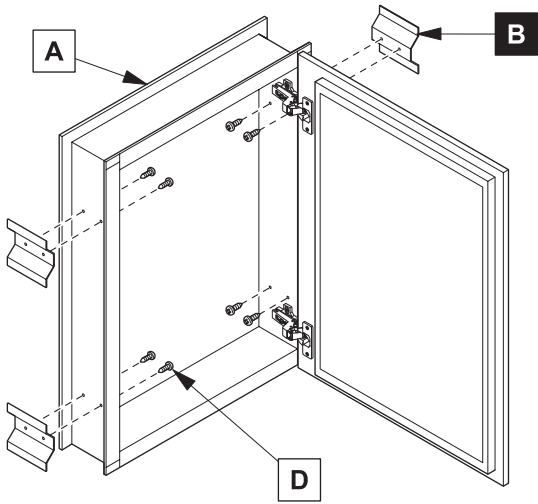
**IMPORTANT:** Consult an expert for the proper screws/bolts to use when attaching to various wall constructions. Screws provided do not attach to all wall construction types.



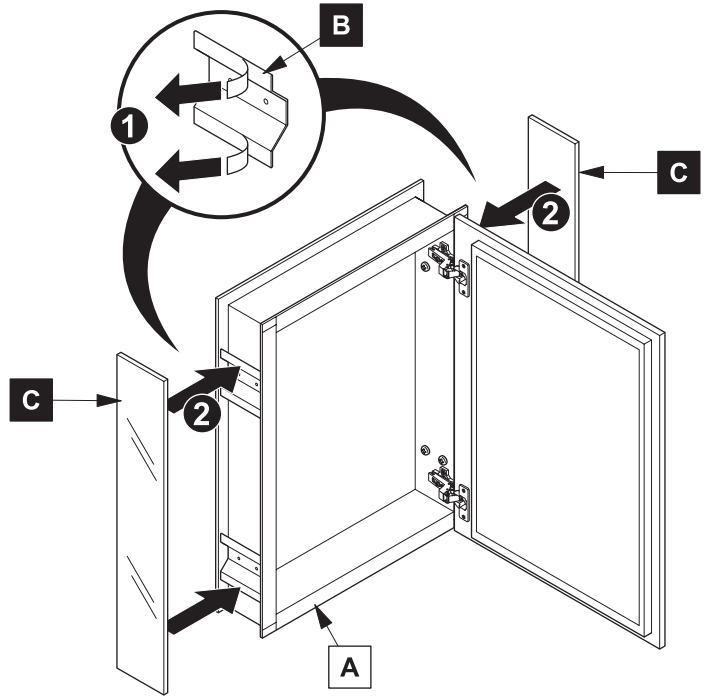
**NOTE:** Only use anchors (J) if stud (2"x4" frame) is not available.

# MEDICINE CABINET INSTALLATION

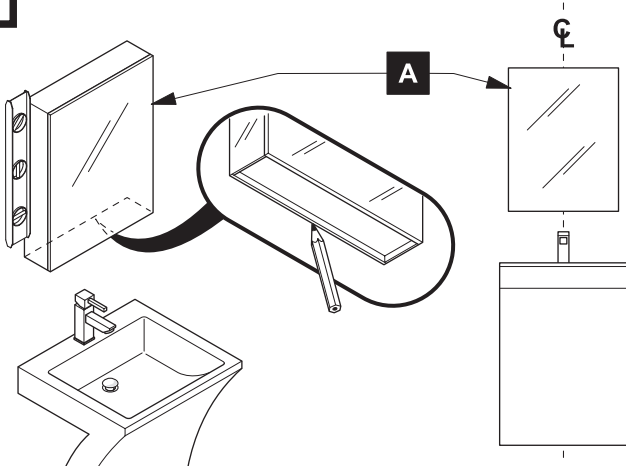
## 1 Install side brackets (B)



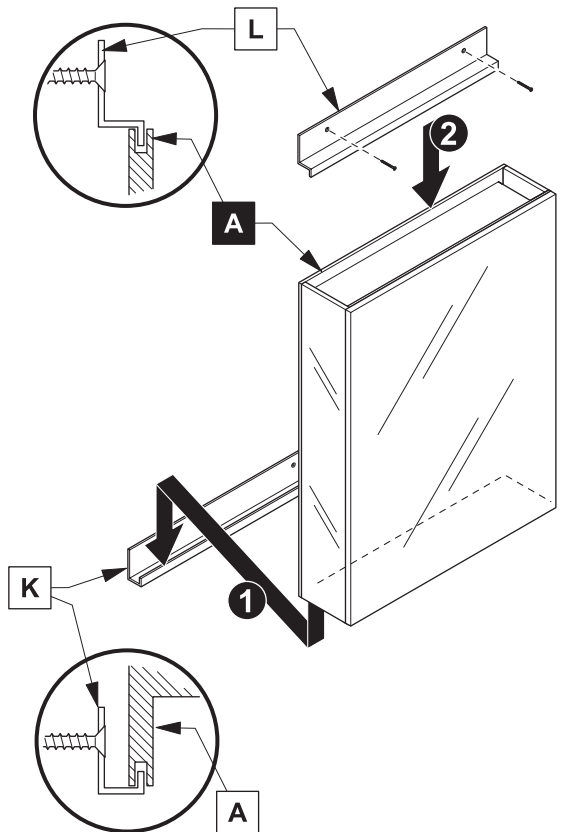
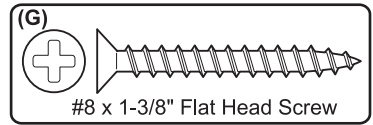
## 2 Install side mirrors (C)



## 3 Mark cabinet (A) location

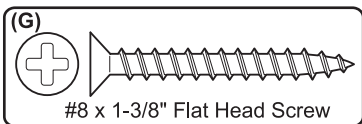
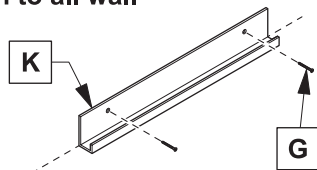


## 5 Install cabinet (A)



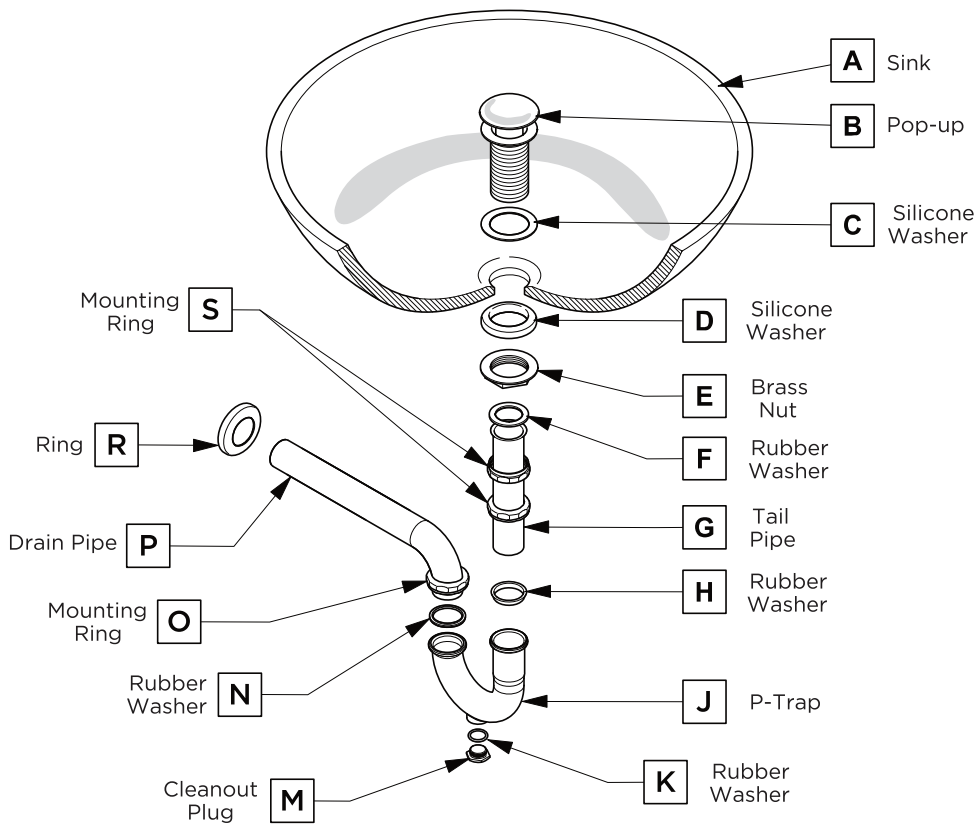
## 4 Install bottom bracket (K)

**IMPORTANT:** Consult an expert for the proper screws/bolts to use when attaching to various wall constructions. Screws provided do not attach to all wall construction types.



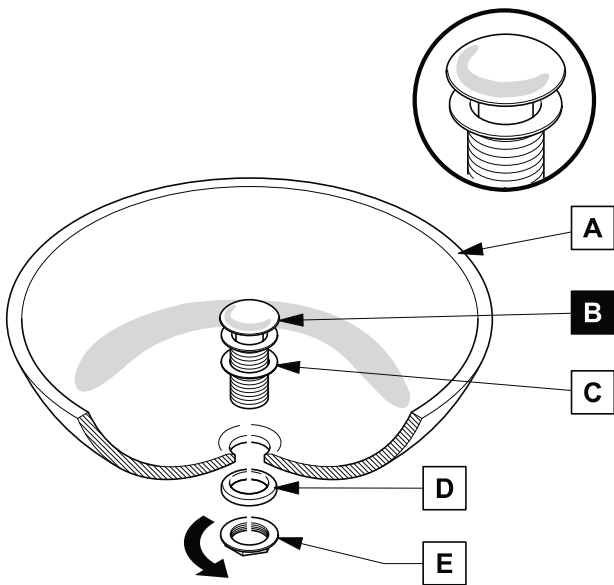
## P-TRAP AND POP-UP INSTALLATION INSTRUCTIONS

Your item may appear slightly different from the illustration



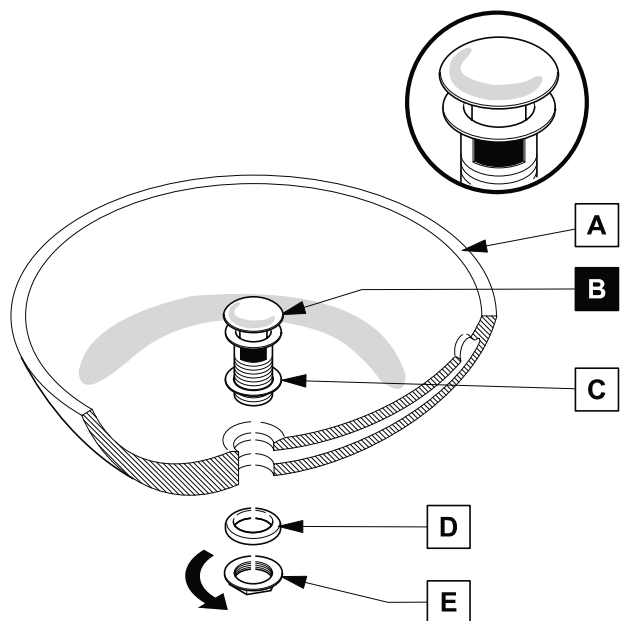
### POP-UP INSTALLATION

#### FOR SINKS WITHOUT OVERFLOW



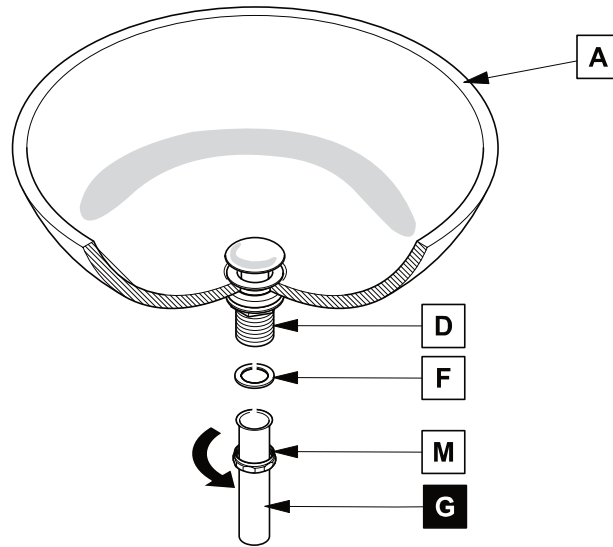
OR

#### FOR SINKS WITH OVERFLOW



# P-TRAP INSTALLATION

## 1 Install tail pipe (G)



## 2 Install p-trap (J)

