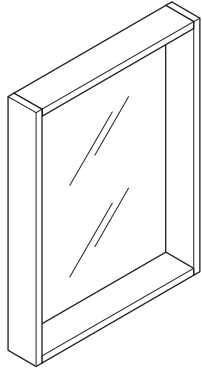


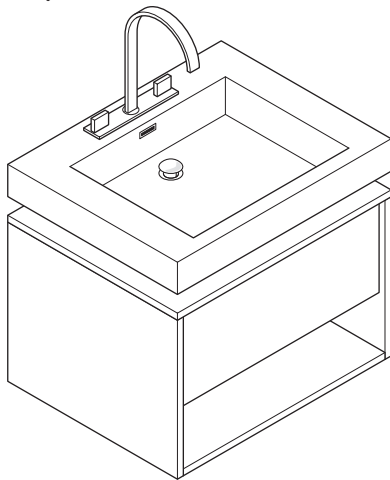
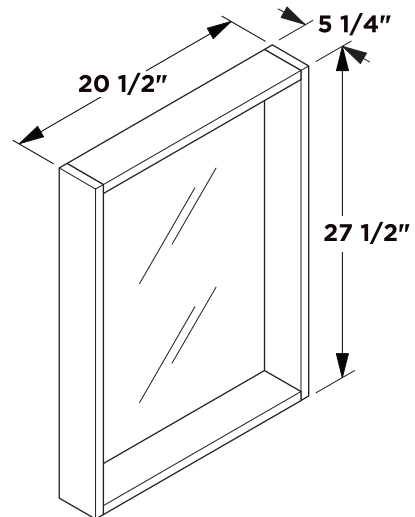
FVN8070
POTENZA
INSTALLATION GUIDE



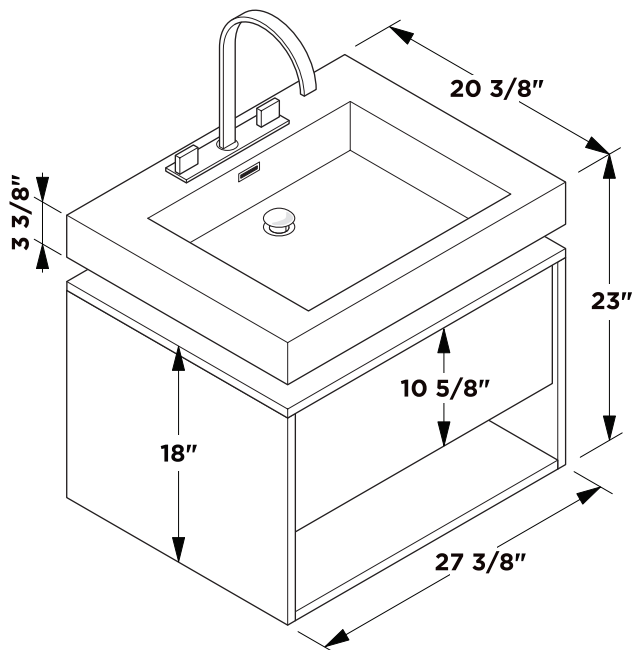
FRESCA®



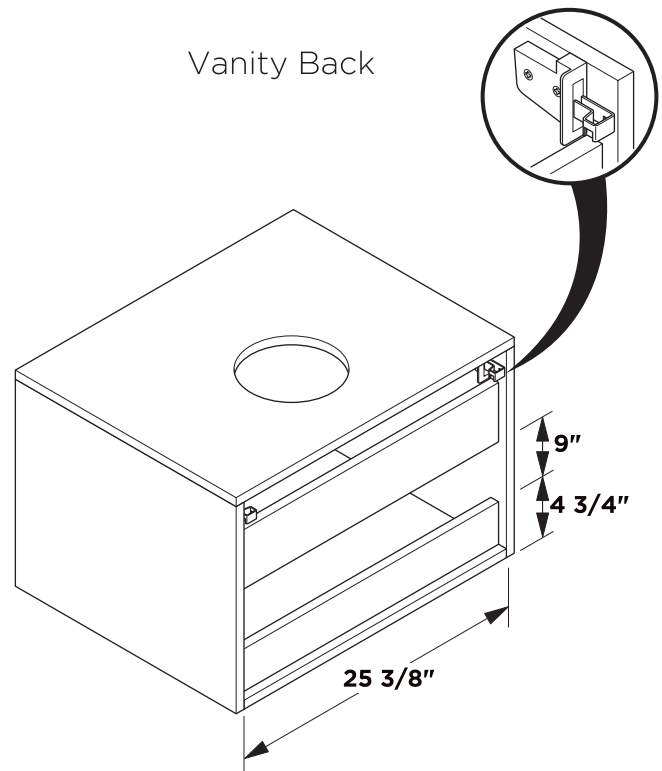
Mirror



Vanity Front

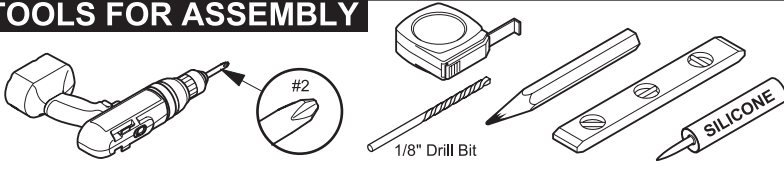


Vanity Back

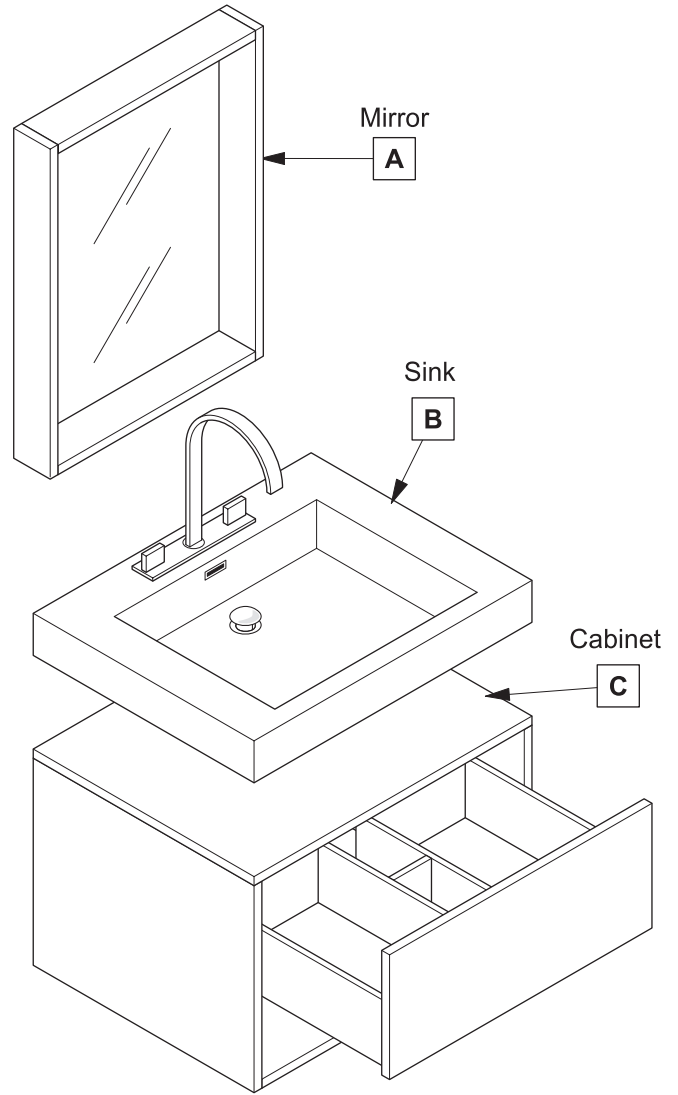
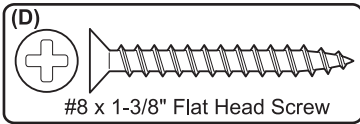
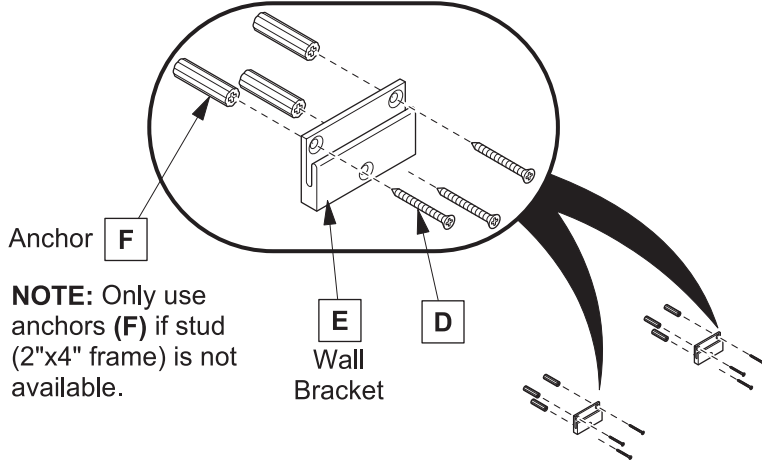


Note: All dimensions and specifications are approximate and subject to change without notice.

TOOLS FOR ASSEMBLY

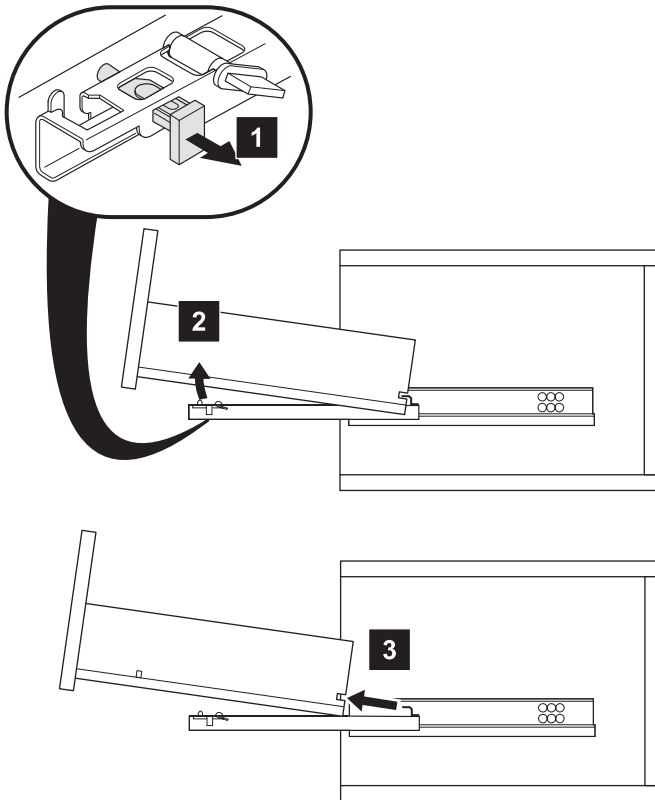


PARTS

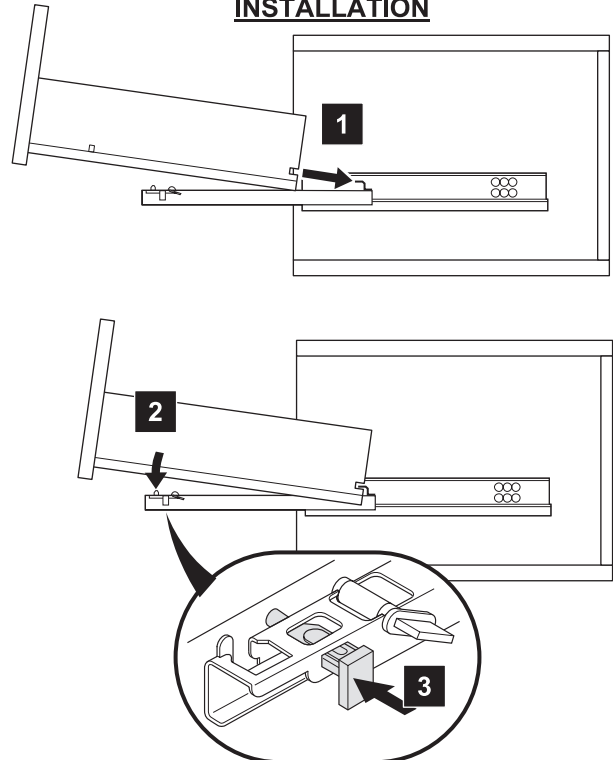


DRAWER REMOVAL & INSTALLATION

REMOVAL

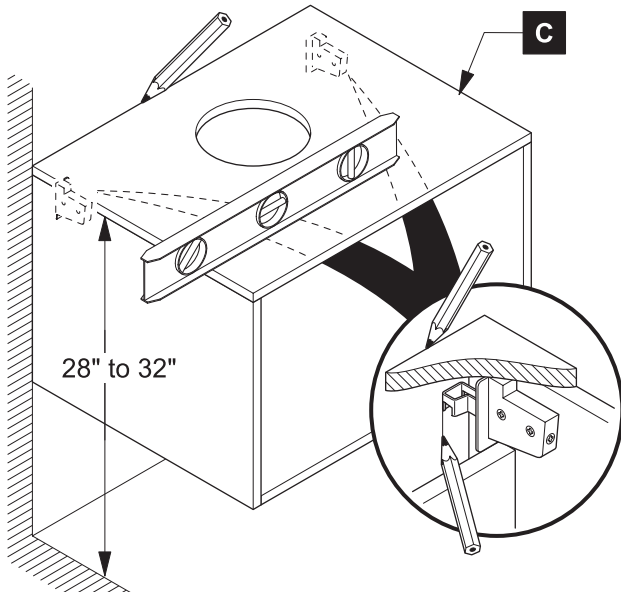
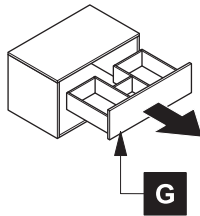


INSTALLATION



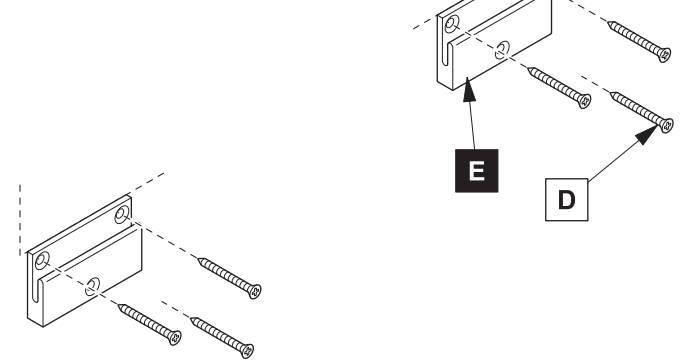
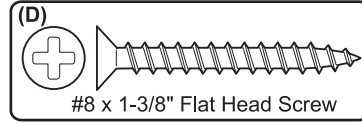
1 Remove drawer (G)

2 Locate cabinet (C) & mark location

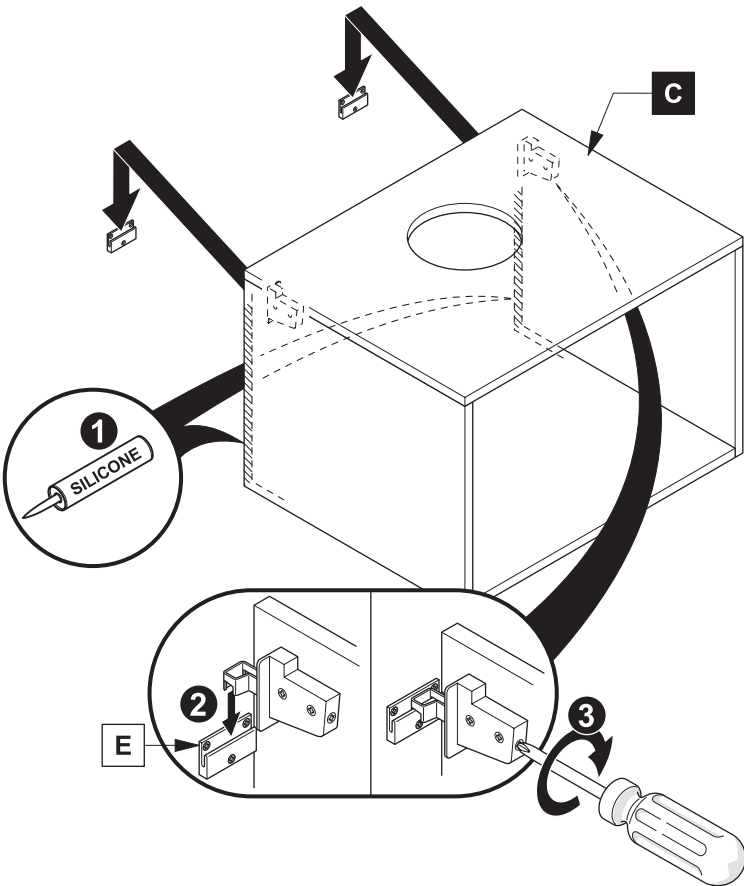


3 Install wall brackets (E)

IMPORTANT: Consult an expert for the proper screws/bolts to use when attaching to various wall constructions. Screws provided do not attach to all wall construction types.

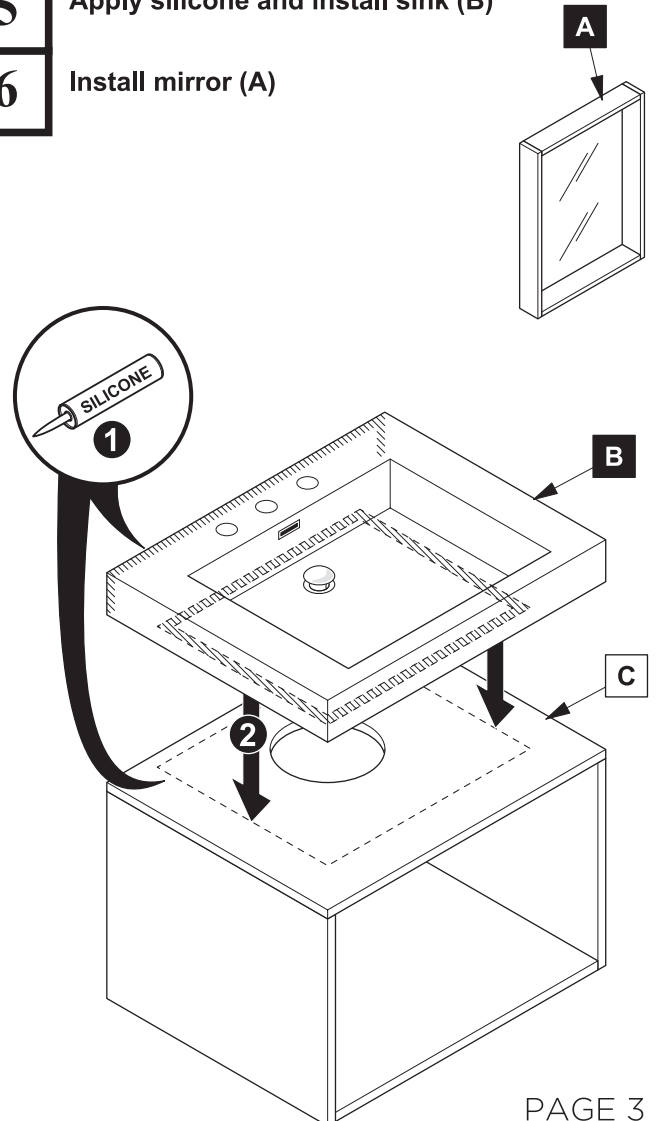


4 Apply silicone and install cabinet (C)



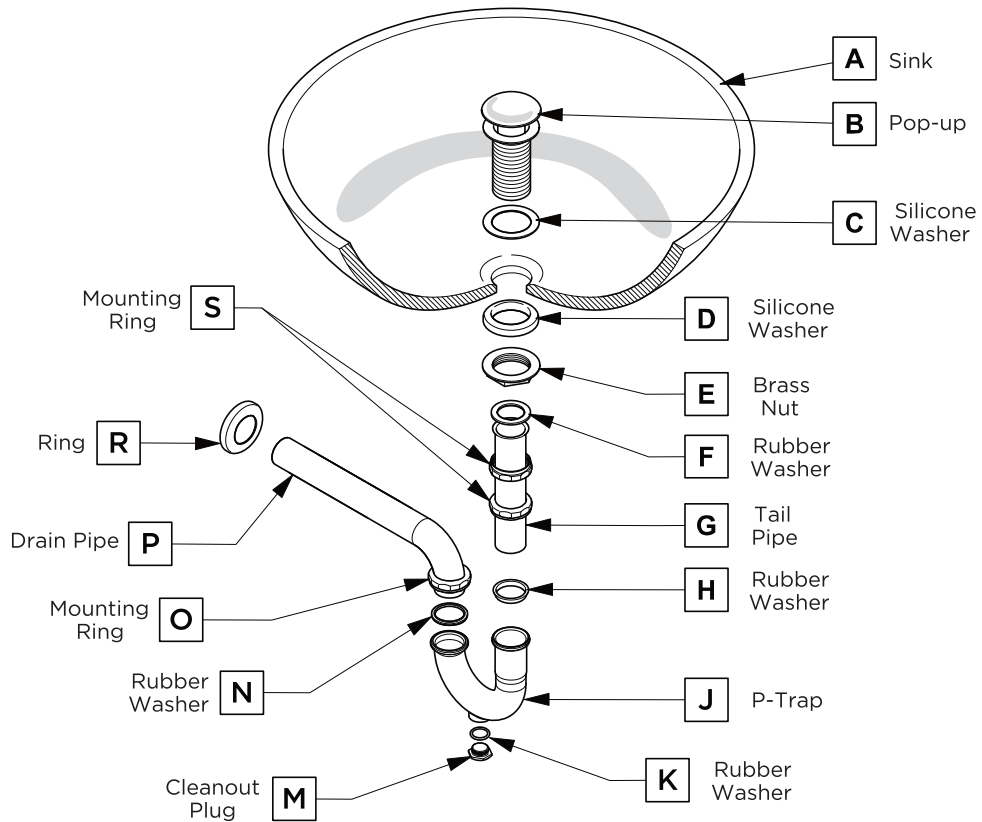
5 Apply silicone and install sink (B)

6 Install mirror (A)



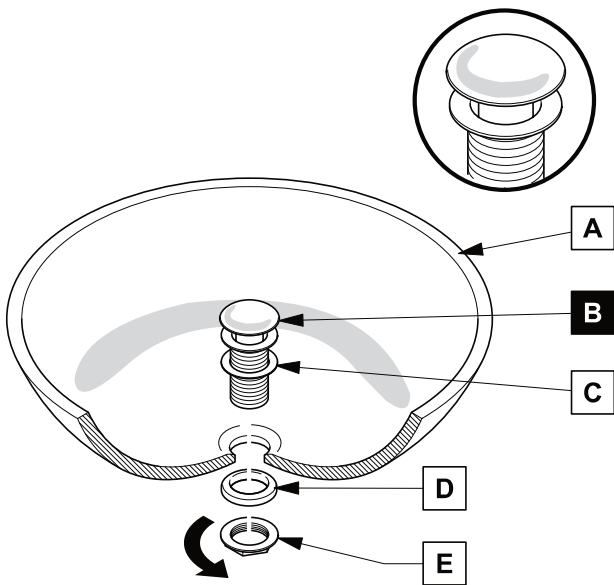
P-TRAP AND POP-UP INSTALLATION INSTRUCTIONS

Your item may appear slightly different from the illustration



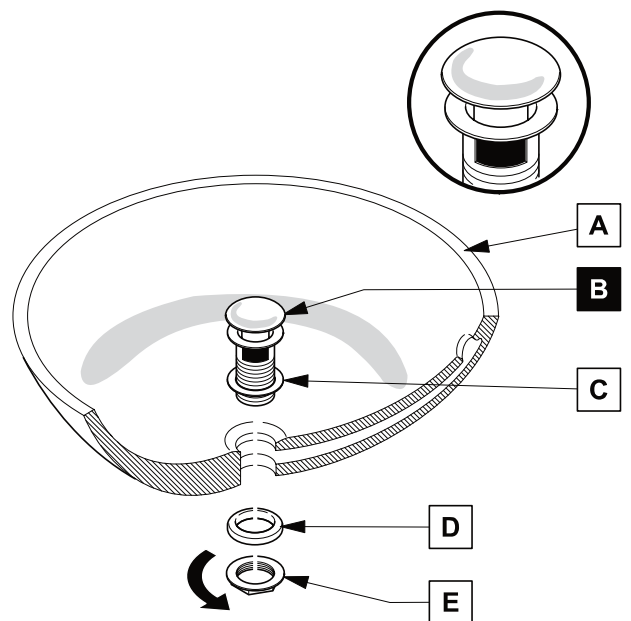
POP-UP INSTALLATION

FOR SINKS WITHOUT OVERFLOW



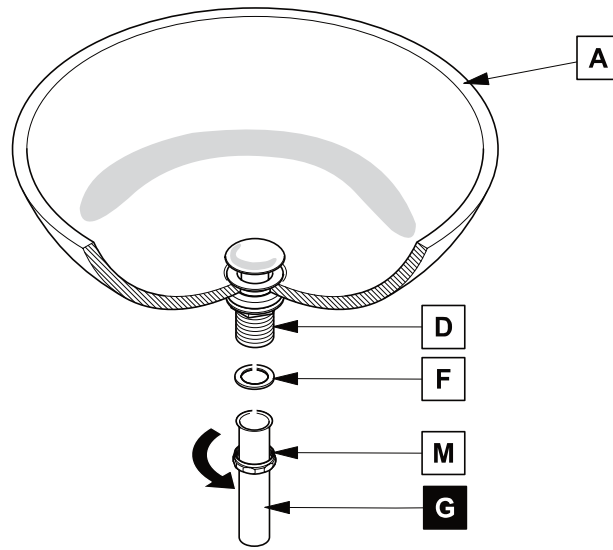
OR

FOR SINKS WITH OVERFLOW



P-TRAP INSTALLATION

1 Install tail pipe (G)



2 Install p-trap (J)

