



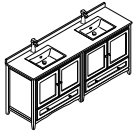
FVN20-3636

OXFORD

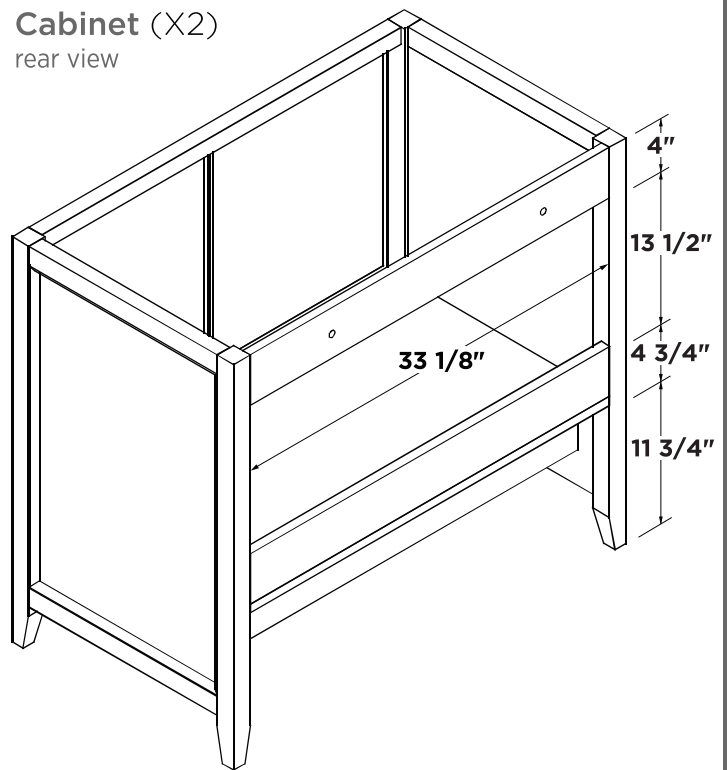
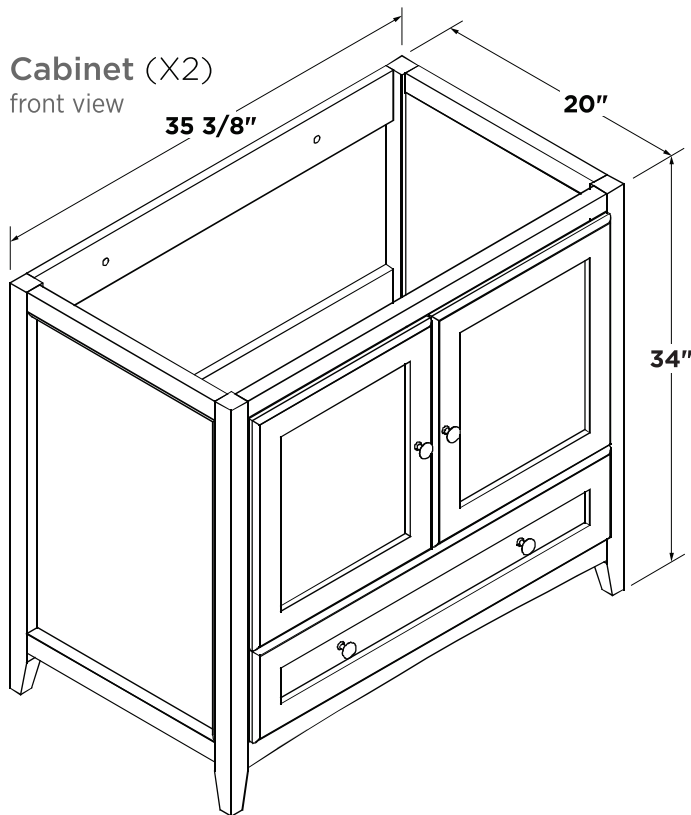
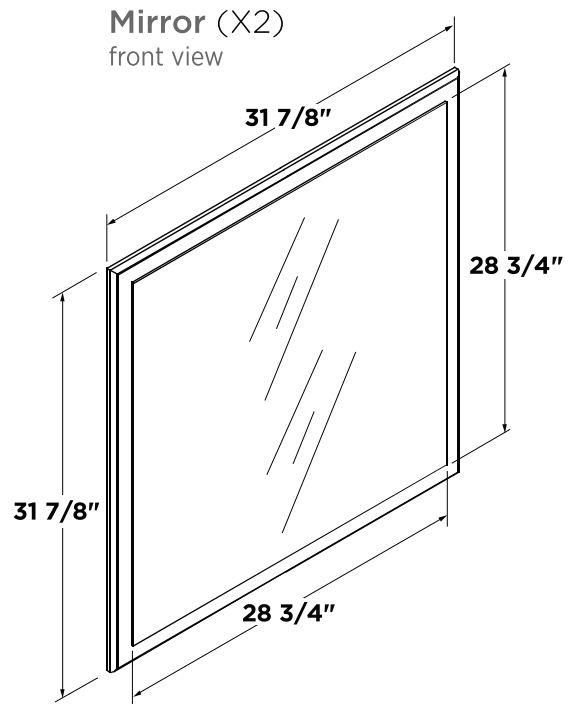
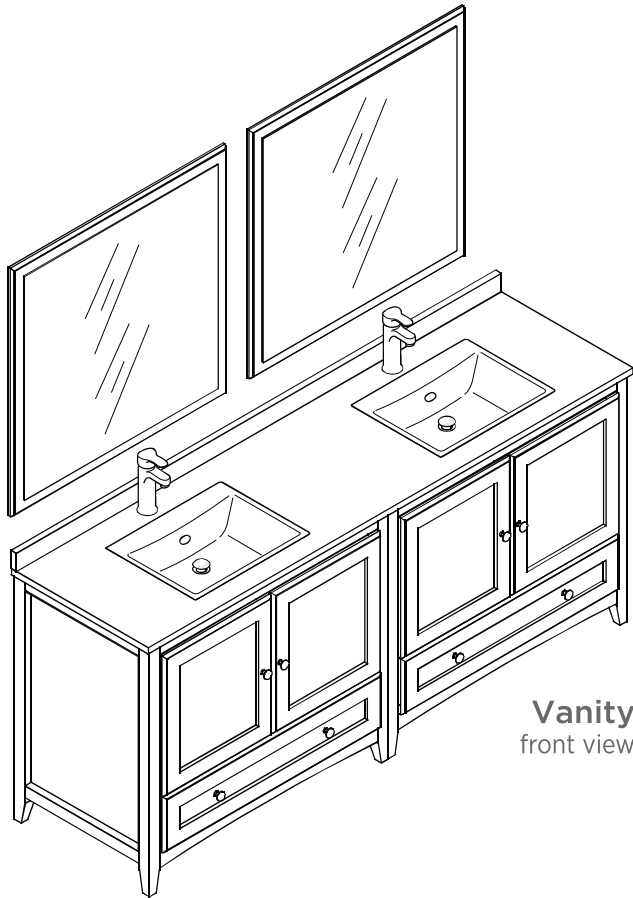
INSTALLATION GUIDE

CONTENTS:

Cabinet.....	(FCB20-3636).....	PAGE 4
Sink.....	(FVS2017).....	PAGE 5
Mirror.....	(FMR2036).....	PAGE 2
Countertop.....	(FCT2073-D).....	PAGE 5

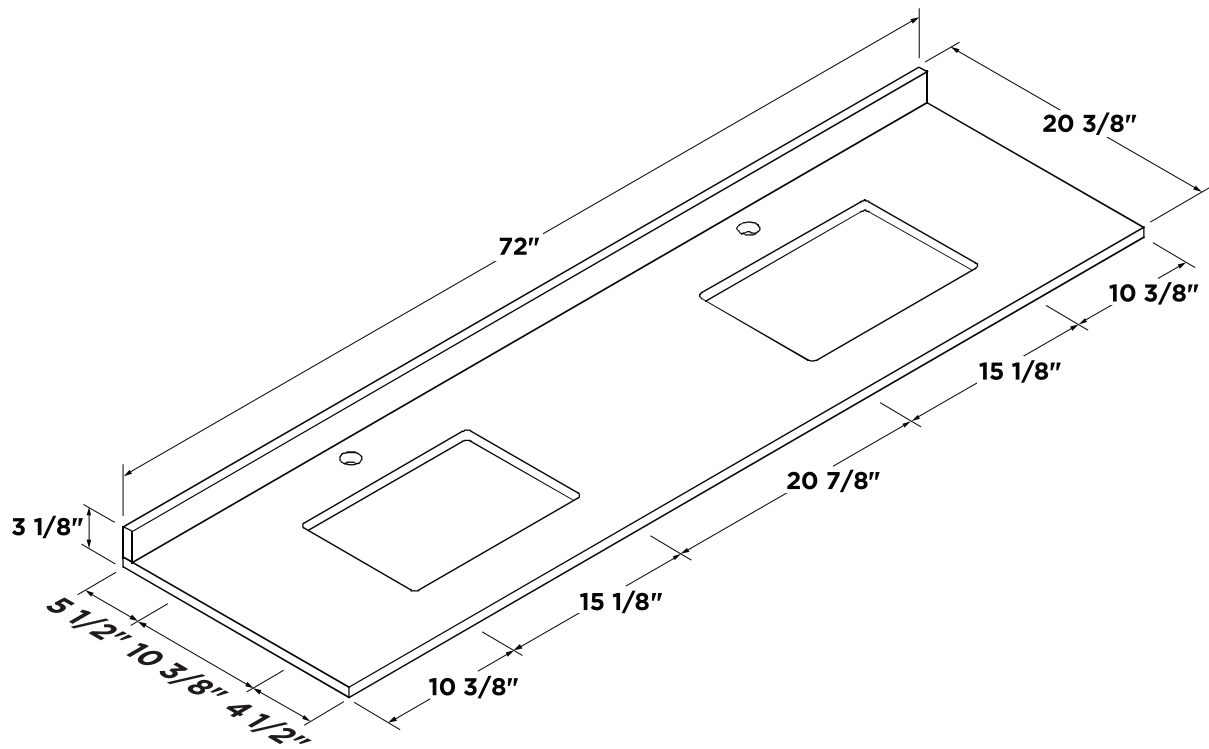


FVN20-3636
OXFORD
INSTALLATION GUIDE



NOTE: ALL DIMENSIONS & SPECIFICATIONS ARE APPROXIMATE AND SUBJECT TO CHANGE WITHOUT NOTICE.

COUNTER TOP & BACK SPLASH DIMENSIONS



NOTE: ALL DIMENSIONS & SPECIFICATIONS ARE APPROXIMATE AND SUBJECT TO CHANGE WITHOUT NOTICE.

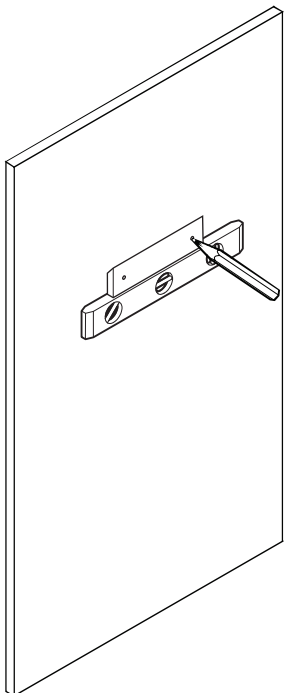
TOOLS FOR ASSEMBLY



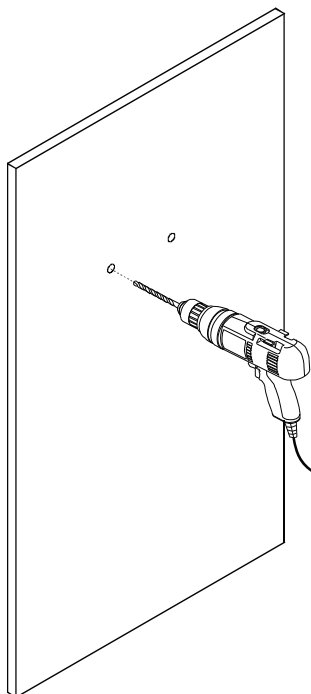
MIRROR INSTALLATION

***NOTE:**
Only use anchors if stud is not available.

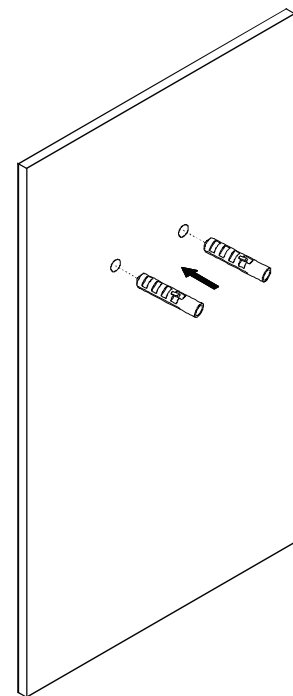
1 Level the mirror bracket and then mark the installation position



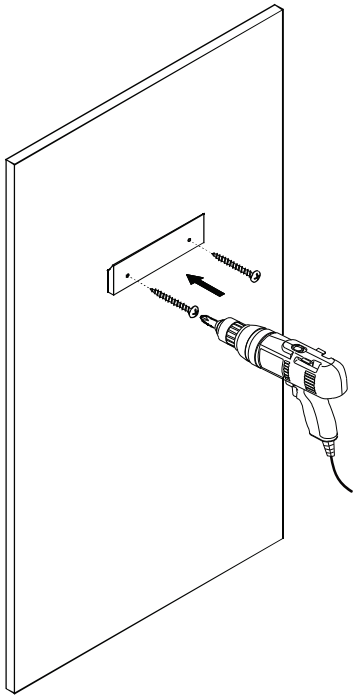
2 Drill the holes



3 Insert the anchors inside the holes

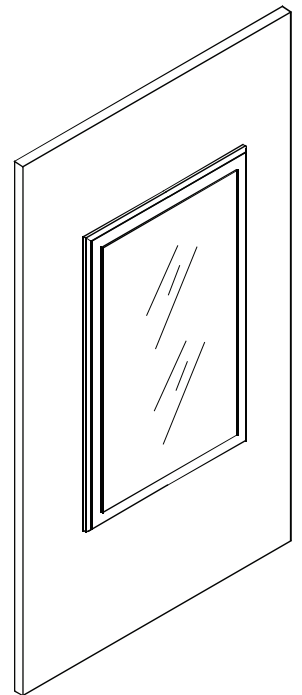
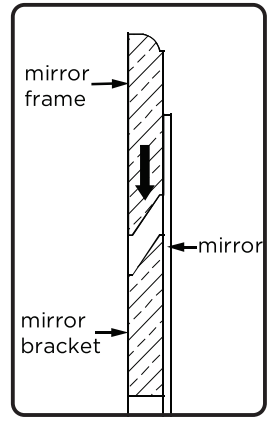
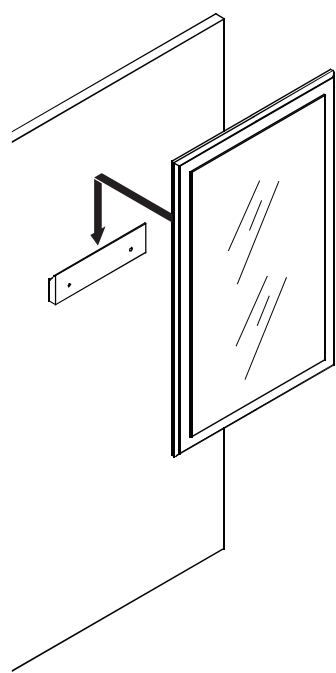


4 Attach the bracket to the wall with the screws



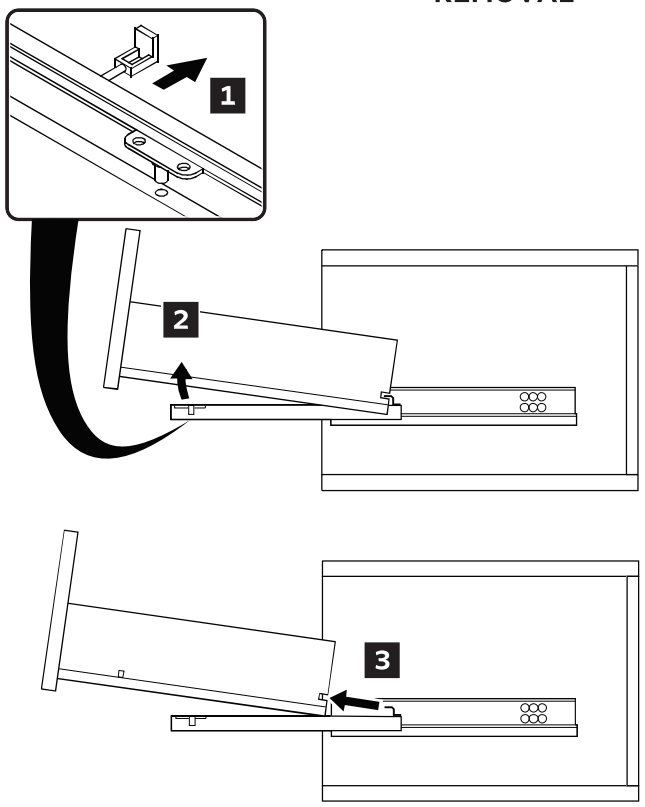
NOTE: Consult an expert for the proper screws/bolts to use when attaching to various constructions. Screws provided do not attach to all wall construction types.

5 Hang the mirror on the bracket

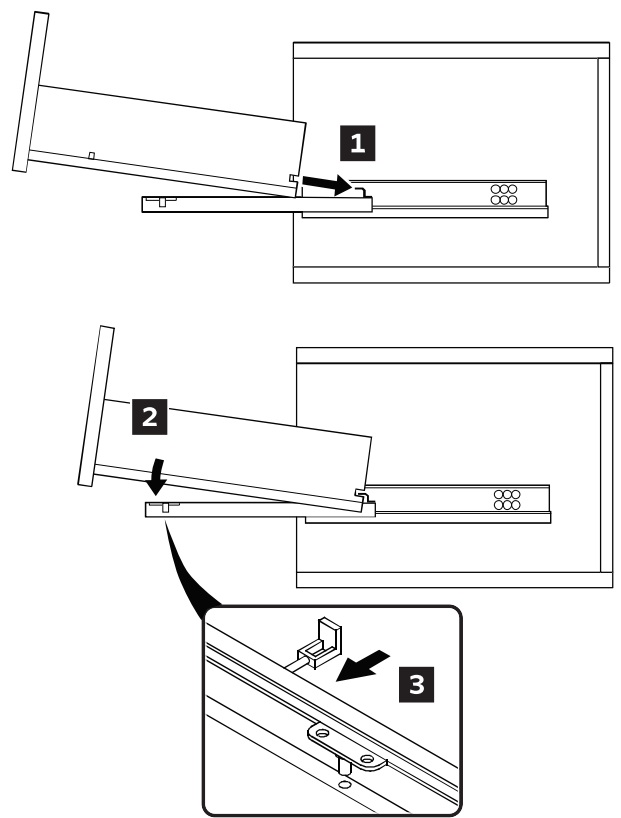


DRAWER REMOVAL & INSTALLATION

REMOVAL



INSTALLATION



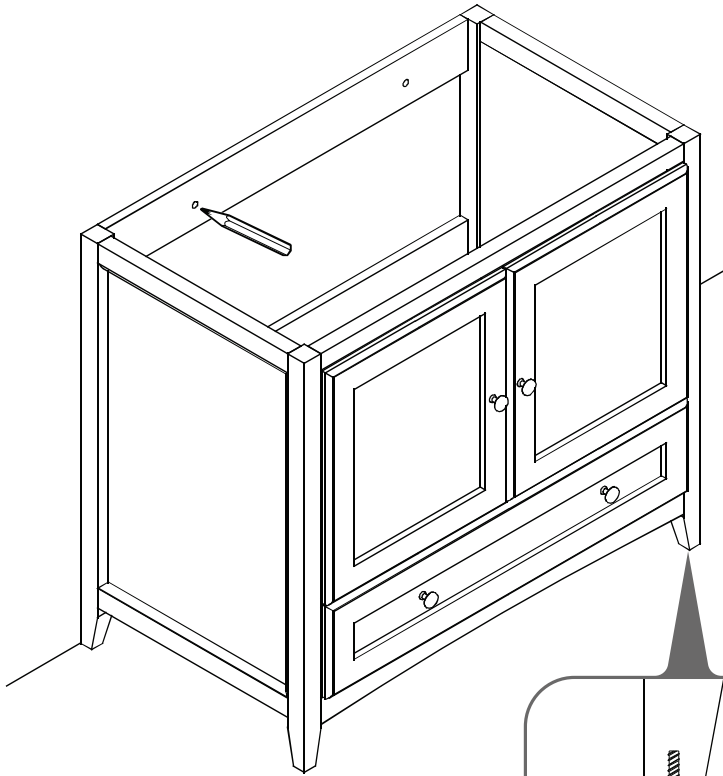
FVN20-3636

OXFORD

INSTALLATION GUIDE

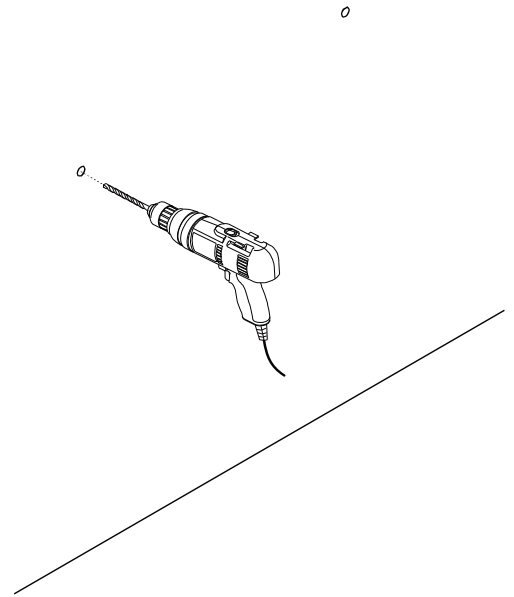
PAGE 3

1 Level the cabinet and mark position for the installation.



To ensure stability, cabinet's height can be regulated by turning the glide clockwise or counterclockwise.
(Optional Step)

2 Drill the holes previously marked.



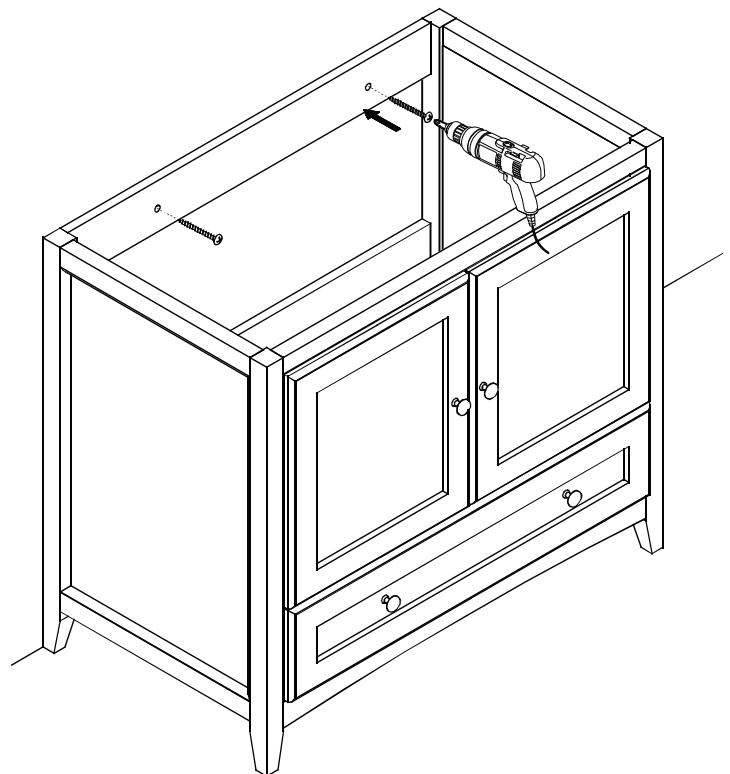
☞ Consult an expert for the proper screws/bolts to use when attaching to various wall constructions. Screws provided **do not attach** to all wall construction types.

3 *Insert the anchors into the holes

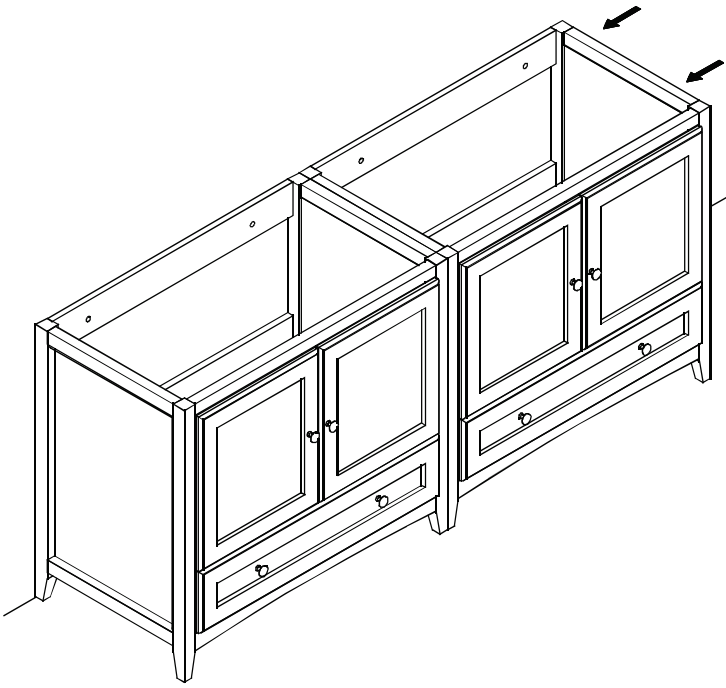


***NOTE:**
Only use anchors if stud is not available.

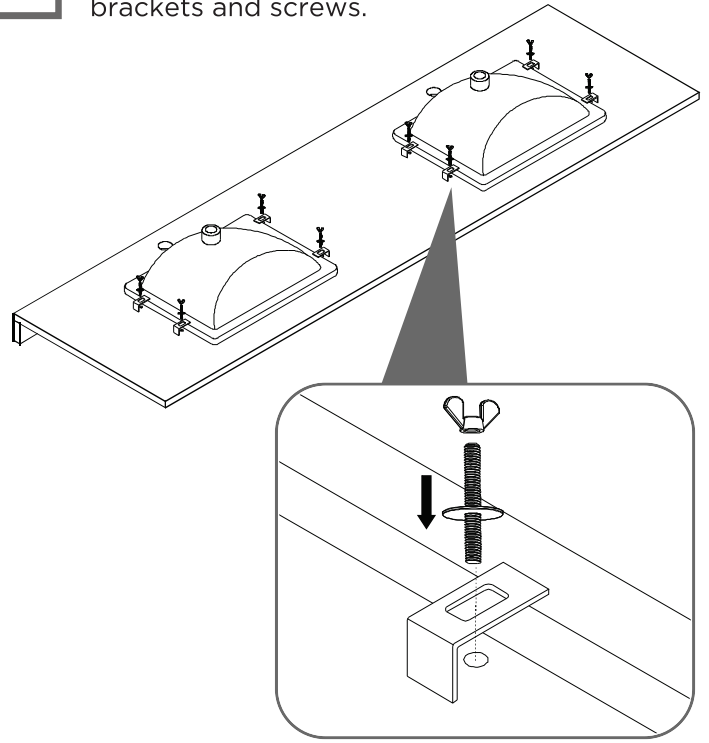
4 *Connect the cabinet to the wall using screws



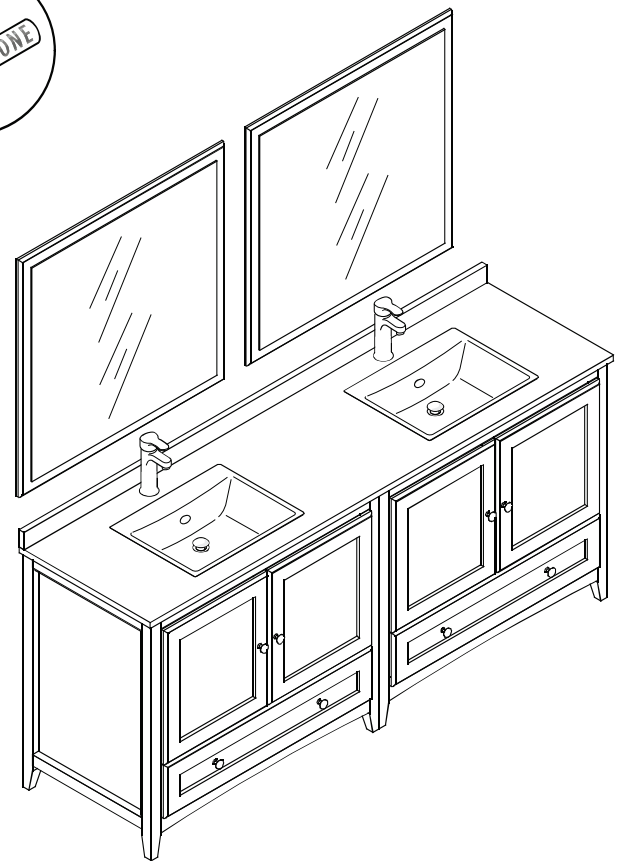
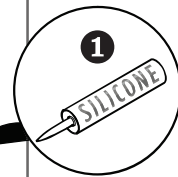
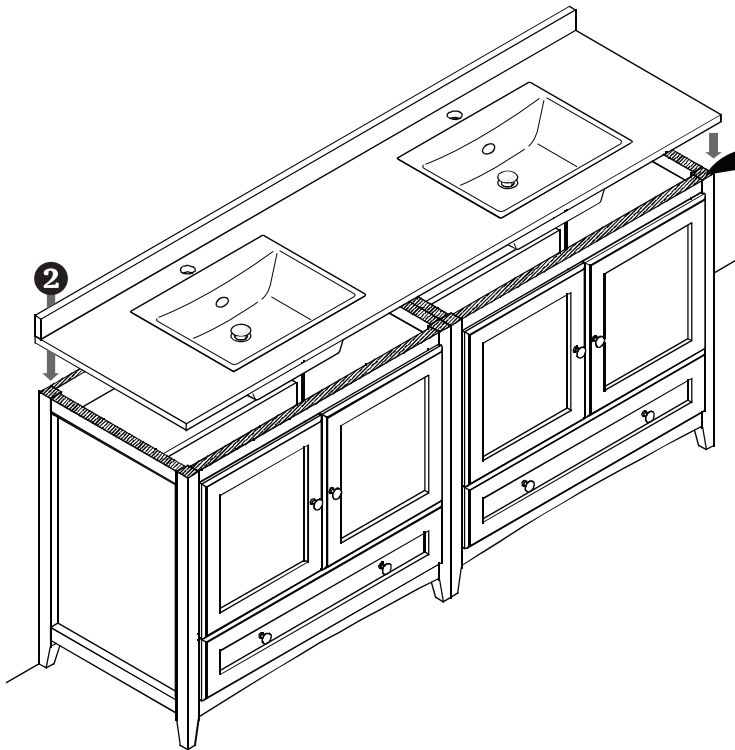
5 Align and repeat the cabinet installation.



6 Attach sinks to the countertop with provided brackets and screws.

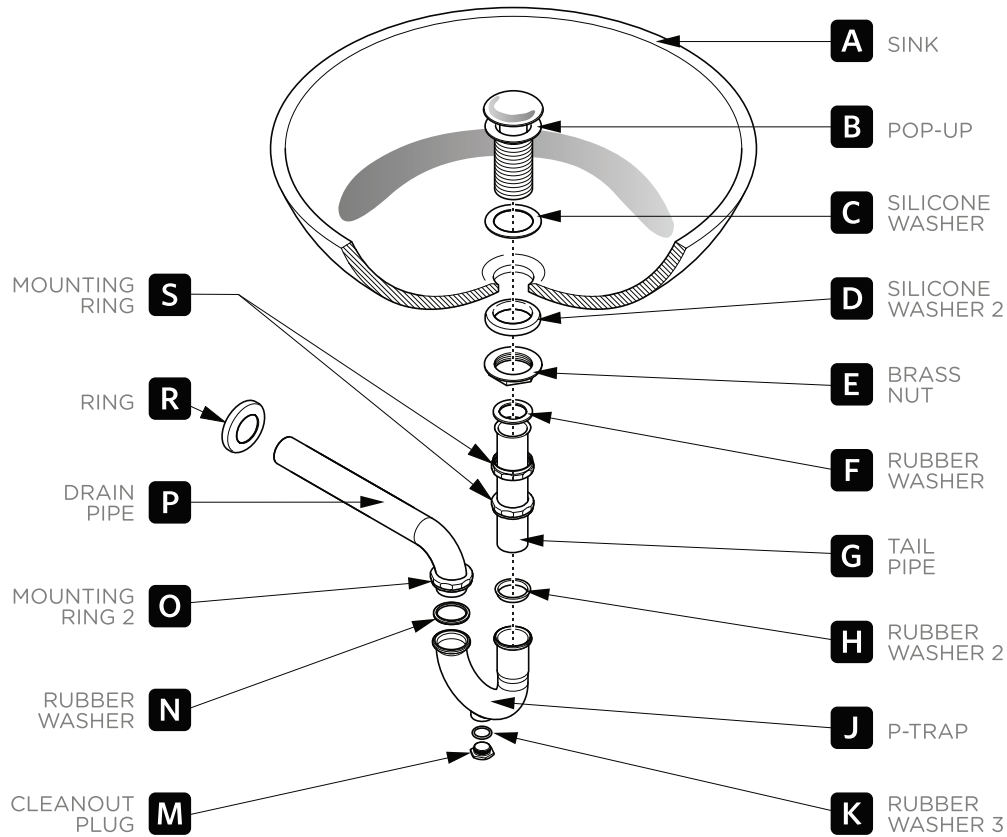


7 Apply silicone on the top of the cabinet and place countertop with sinks on it.



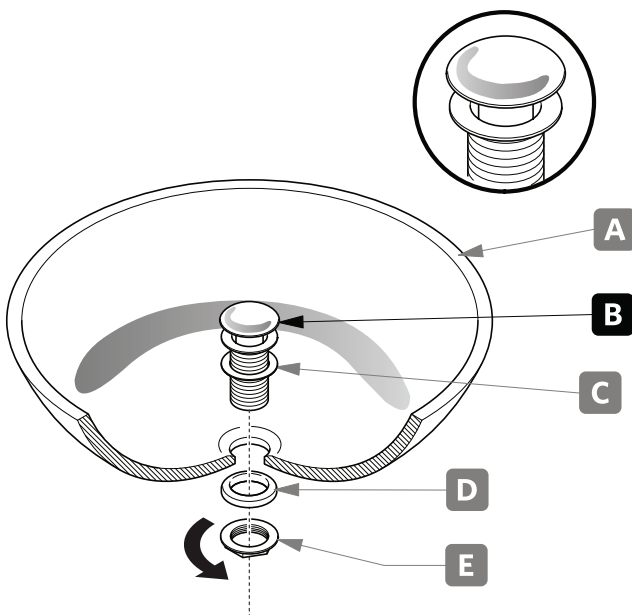
P-TRAP & POP-UP INSTALLATION INSTRUCTIONS

Your item may appear slightly different from the illustration.



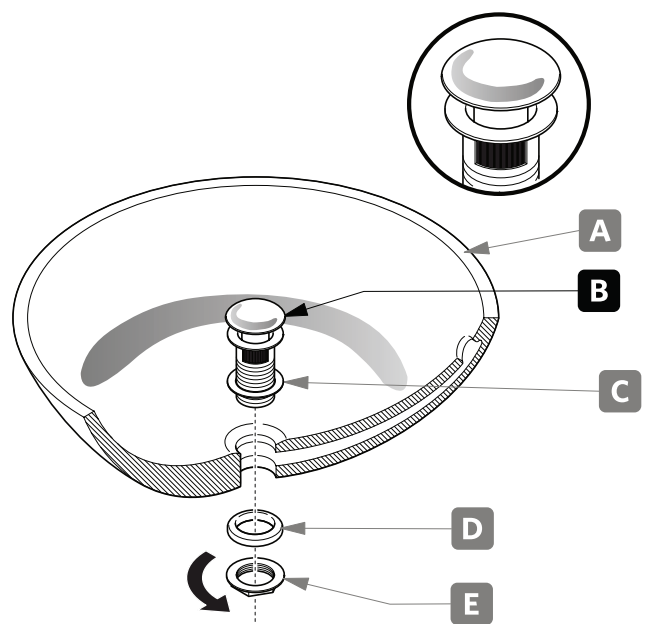
POP-UP INSTALLATION

**FOR SINKS
WITHOUT OVERFLOW**



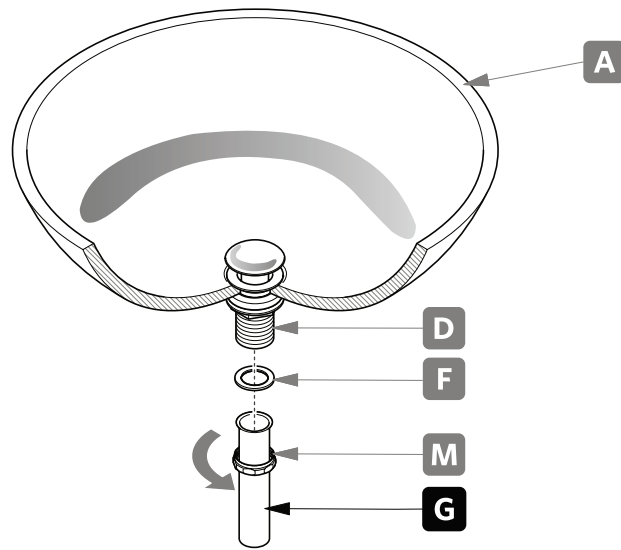
OR

**FOR SINKS
WITH OVERFLOW**



P-TRAP INSTALLATION

1. Install tail pipe (G).



2. Install P-trap (J).

