



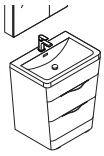
FVN8532

MILANO

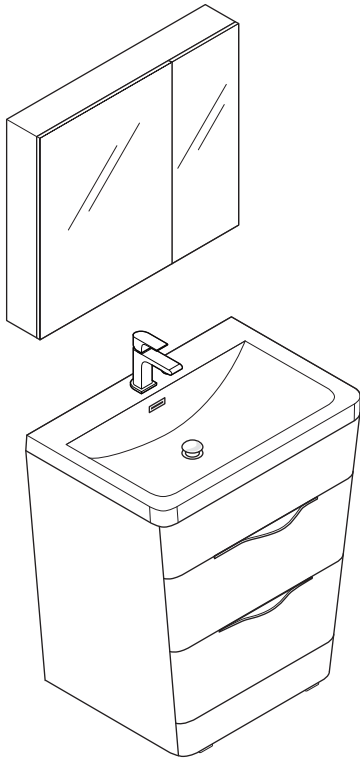
INSTALLATION GUIDE

CONTENTS:

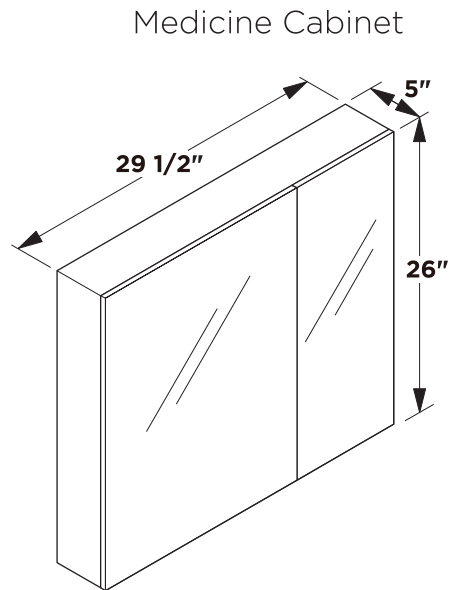
Cabinet.....	(FCB8532).....	PAGE 3
Sink.....	(FVS8532).....	PAGE 3
Med. Cabinet.....	(FMC8090).....	PAGE 4



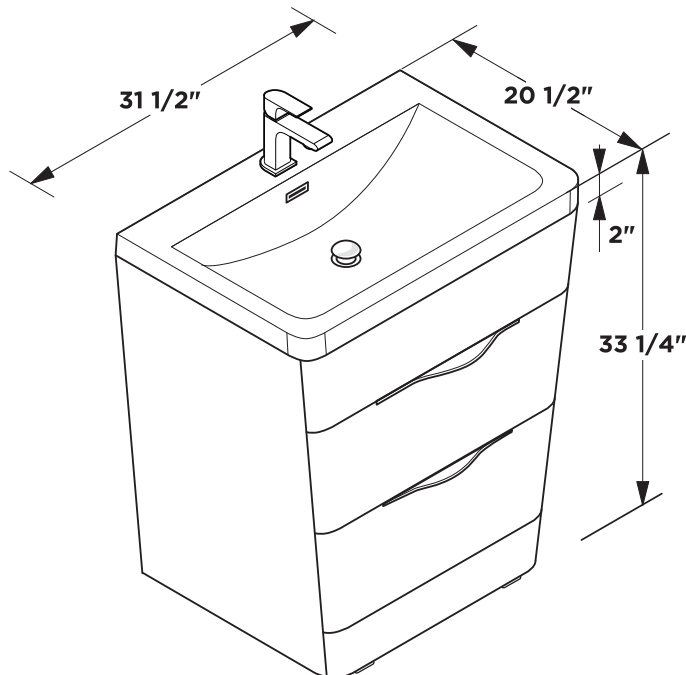
FVN8532 MILANO INSTALLATION GUIDE



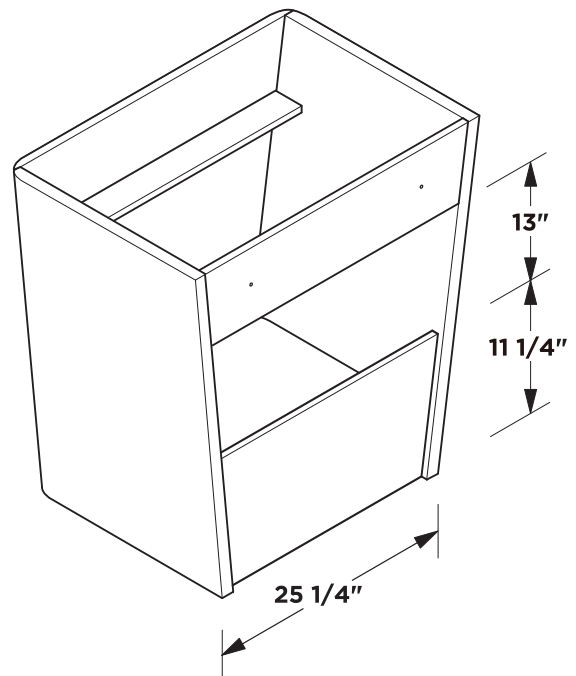
Vanity Front



Medicine Cabinet

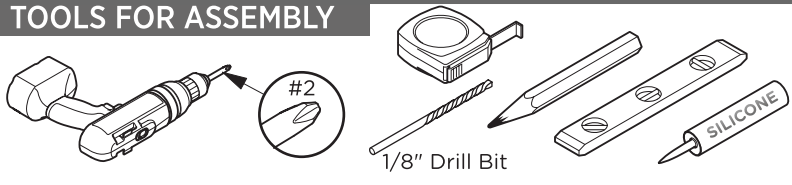


Vanity Back

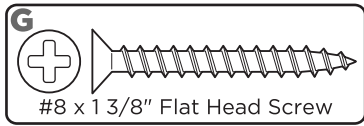


NOTE: ALL DIMENSIONS & SPECIFICATIONS ARE APPROXIMATE AND SUBJECT TO CHANGE WITHOUT NOTICE.

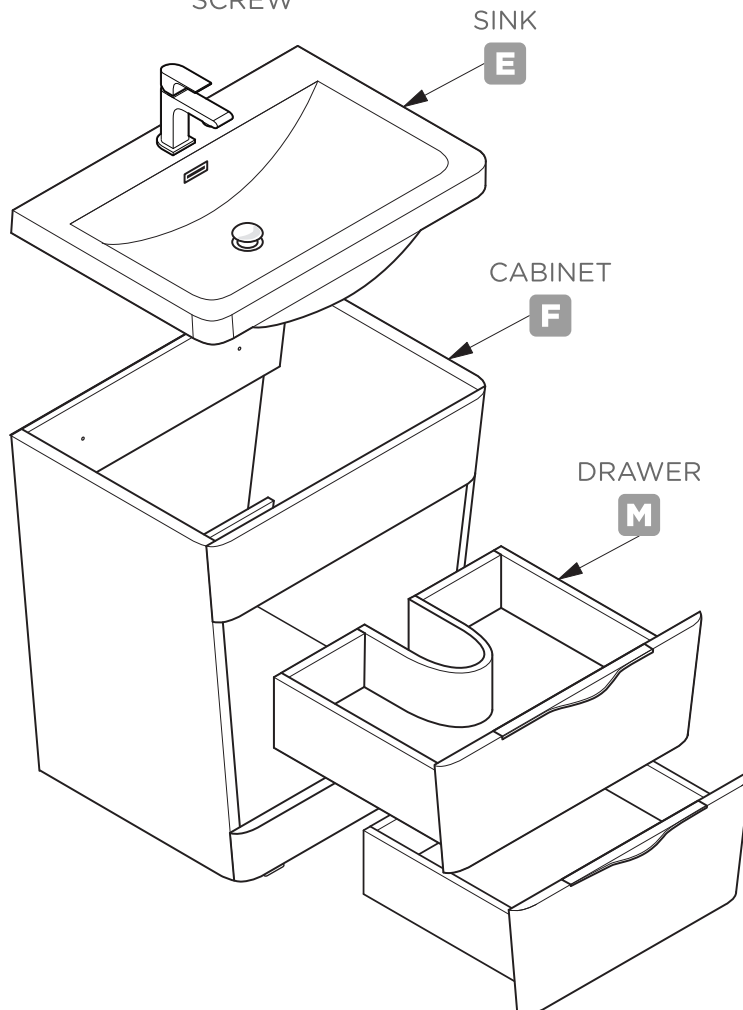
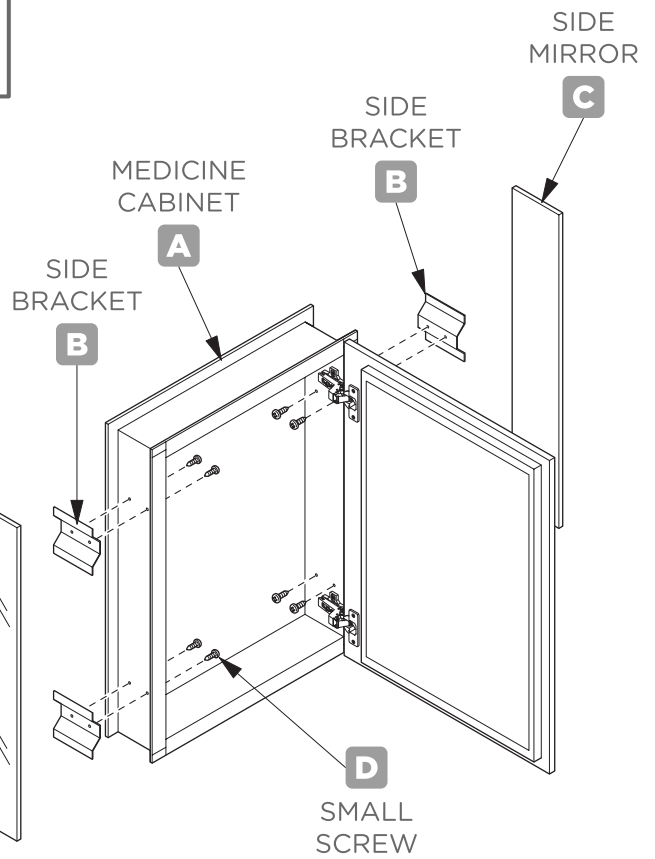
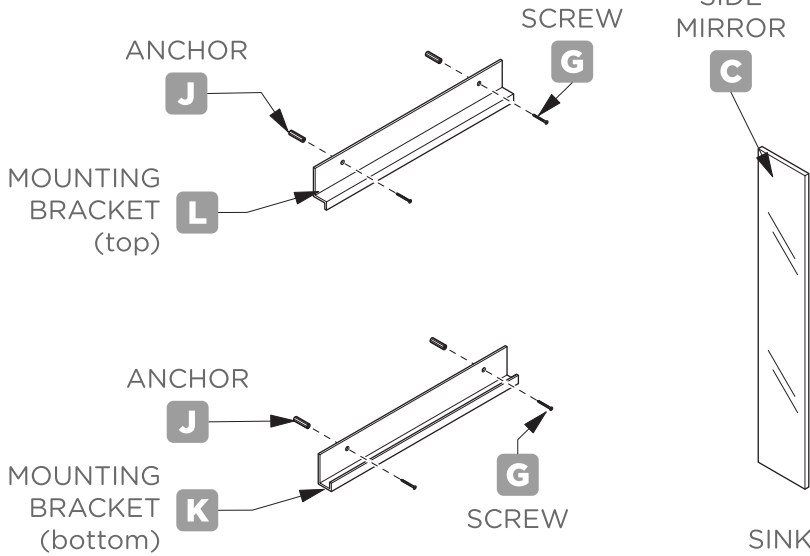
TOOLS FOR ASSEMBLY



PARTS



#8 x 1 3/8" Flat Head Screw

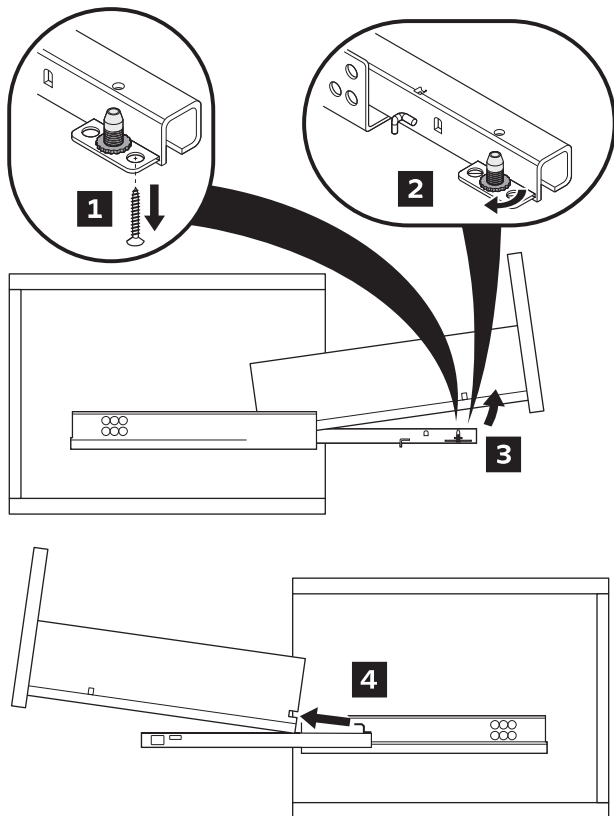


PARTS

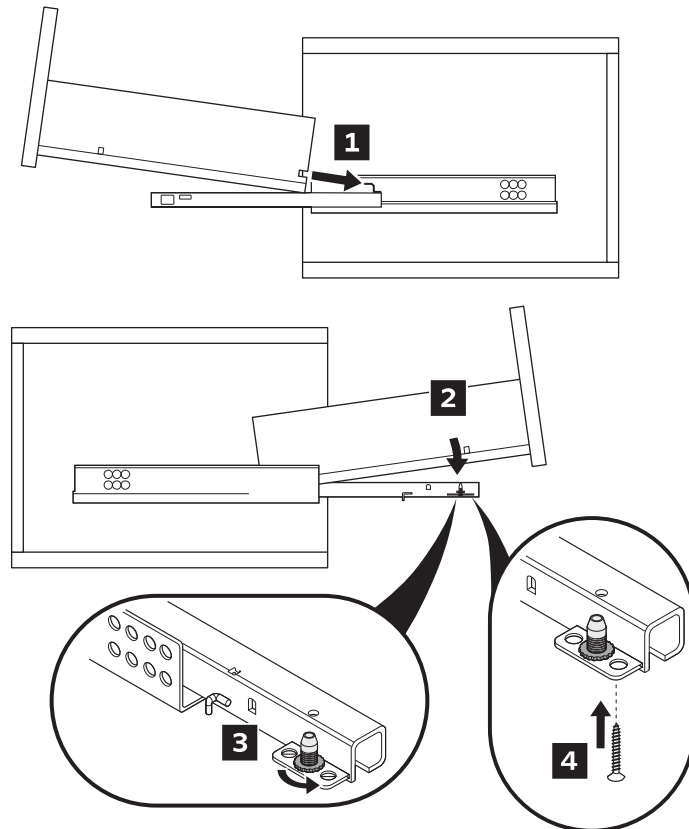
- A.** MEDICINE CABINET
- B.** SIDE BRACKET
- C.** SIDE MIRROR
- D.** SMALL SCREW
- E.** SINK
- F.** CABINET
- G.** SCREW
- J.** ANCHOR
- K.** BOTTOM BRACKET
- L.** TOP BRACKET
- M.** DRAWER

DRAWER REMOVAL & INSTALLATION

REMOVAL



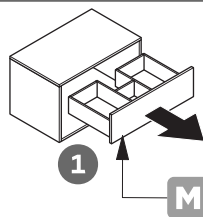
INSTALLATION



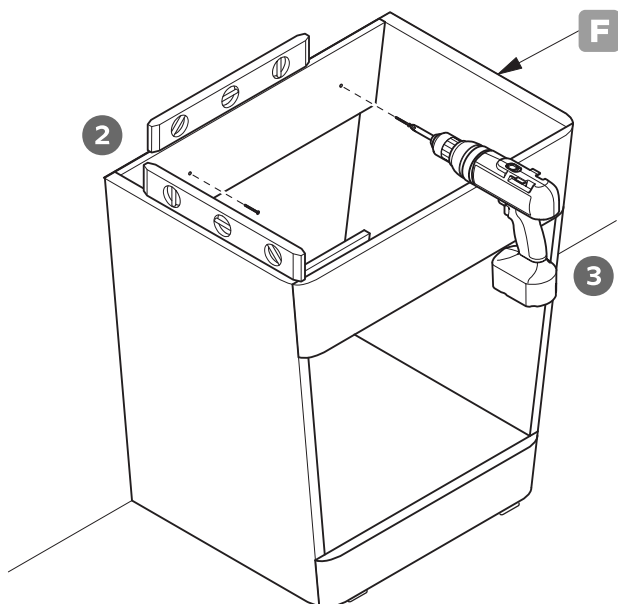
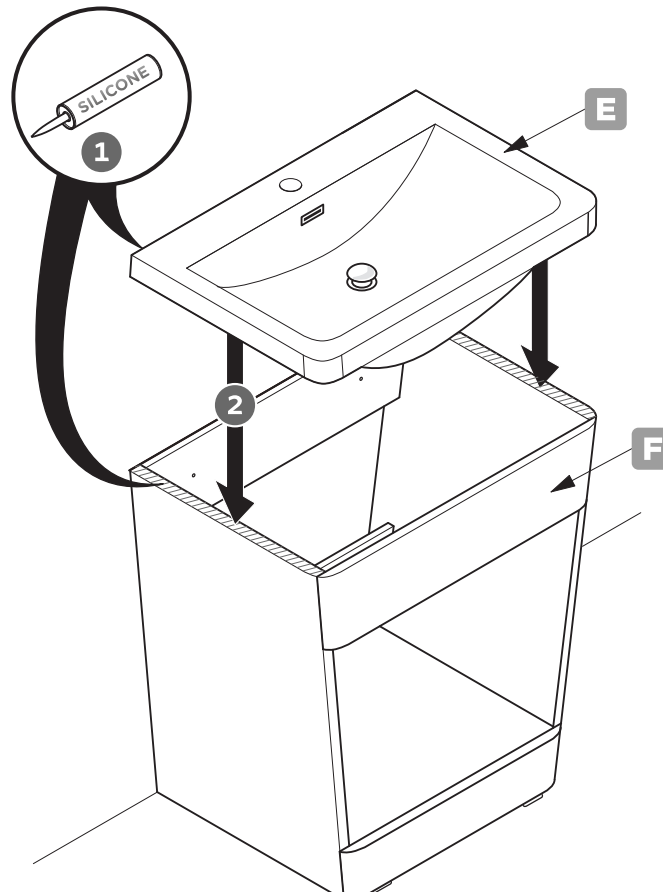
1 Remove drawers (M).

2 Place cabinet (F) to designated location using a level.

3 Connect cabinet (F) to the wall with screws using a drill.



4 Apply silicone and place sink (E) on the cabinet (F).

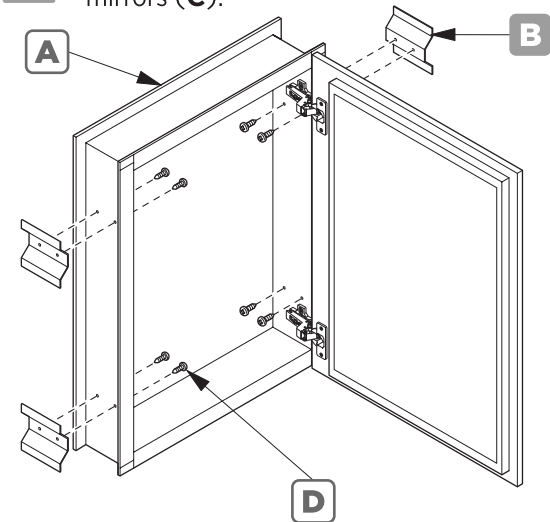


NOTE: Consult an expert for the proper screws/bolts to use when attaching to various constructions. Screws provided do not attach to all wall construction types.

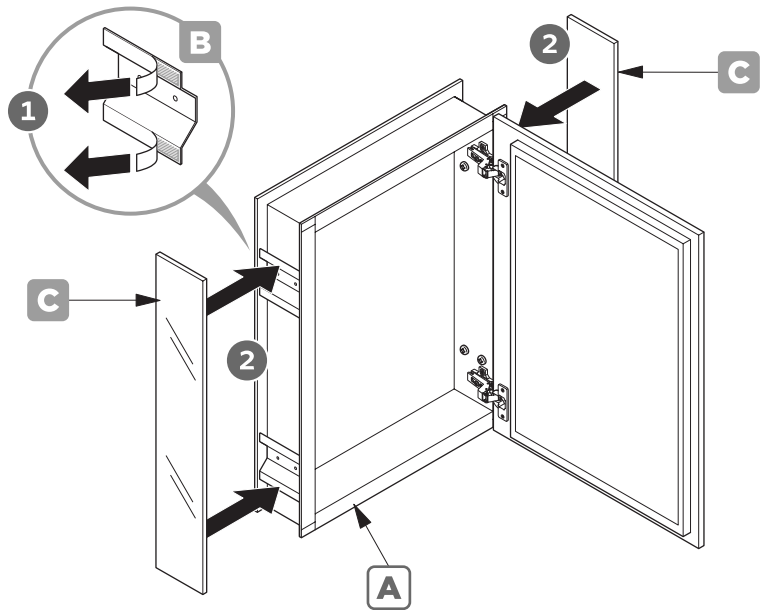
MEDICINE CABINET INSTALLATION

1 Attach the brackets (B) to the cabinet using a small screws (D).

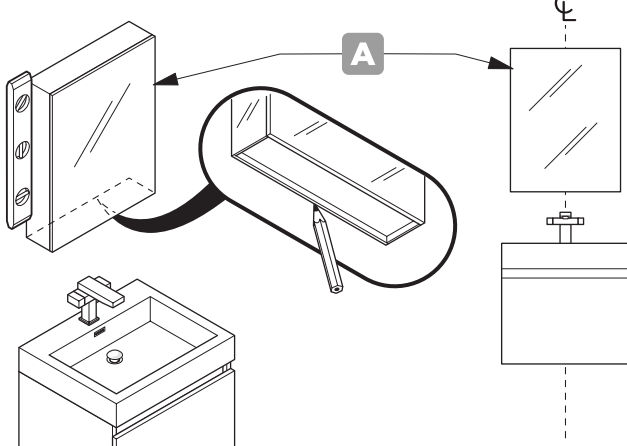
NOTE: Skip STEP 1 and STEP 2.1 if brackets (B) are already attached to the side mirrors (C).



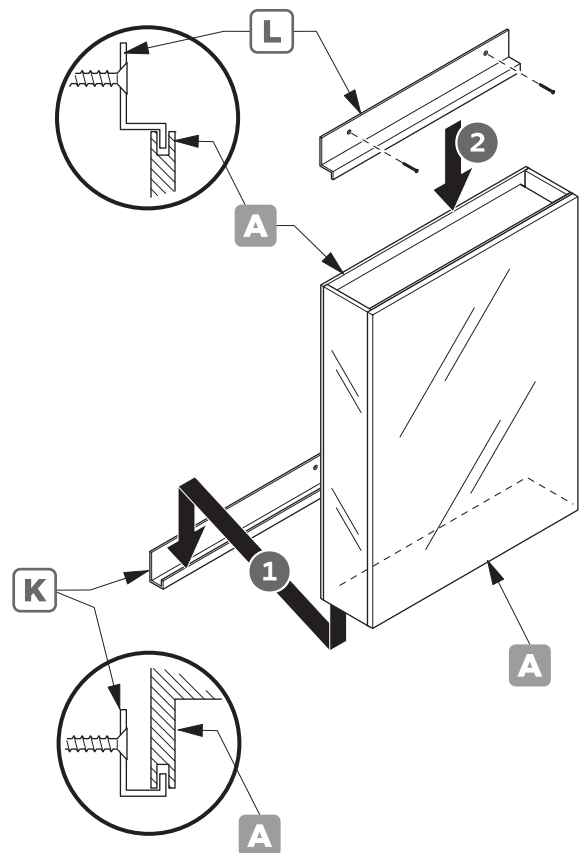
2 Peel the tape from the brackets, exposing a sticky surface, then connect side mirrors (C) to the brackets (B).



3 Place cabinet (A) to designated location, then mark its location on the wall.

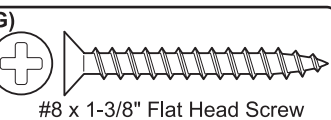
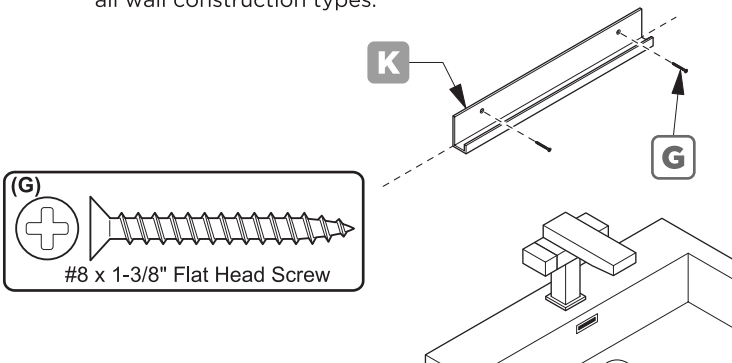


5 With assistance, rest the cabinet on the bottom mounting bracket (K) and secure it by attaching a top bracket (L) to the wall.



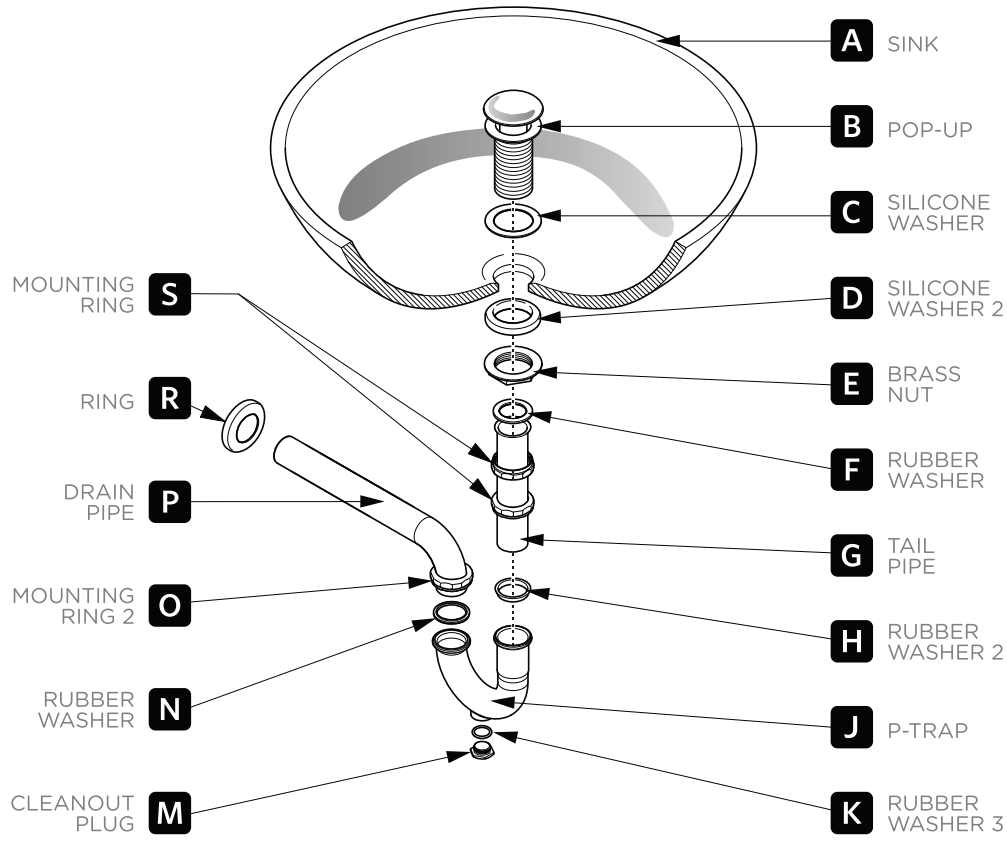
4 Attach bottom bracket (K) to the wall.

NOTE: Consult an expert for the proper screws/bolts to use when attaching to various constructions. Screws provided do not attach to all wall construction types.



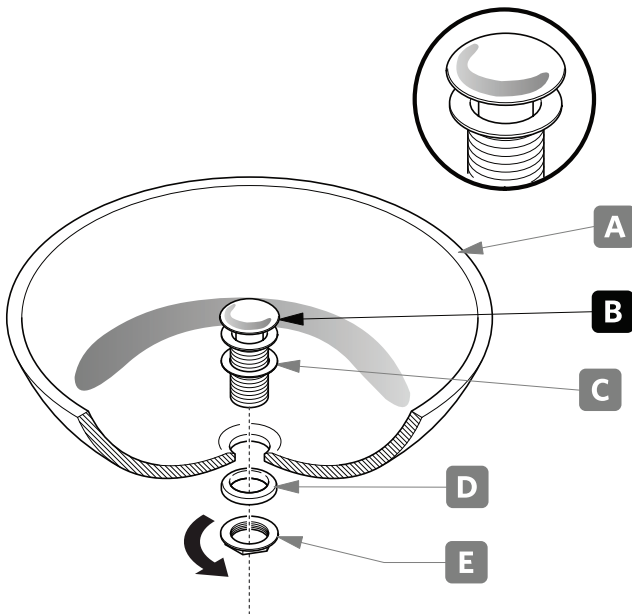
P-TRAP & POP-UP INSTALLATION INSTRUCTIONS

Your item may appear slightly different from the illustration.



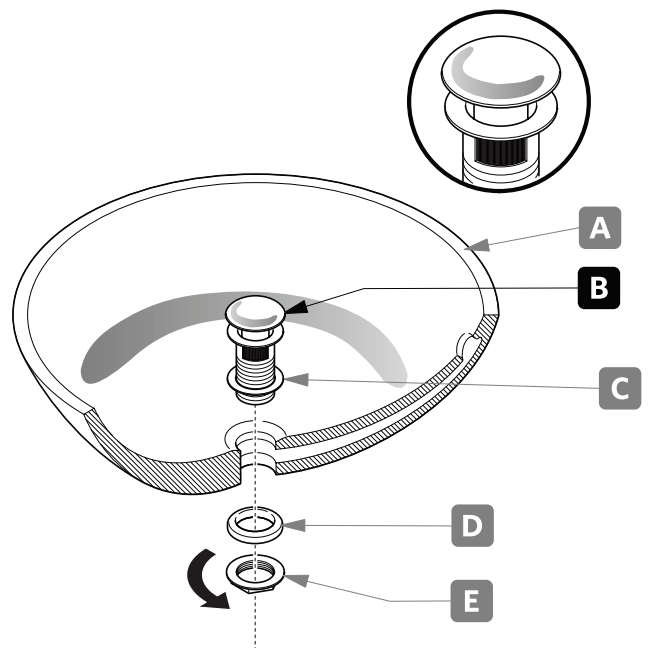
POP-UP INSTALLATION

**FOR SINKS
WITHOUT OVERFLOW**



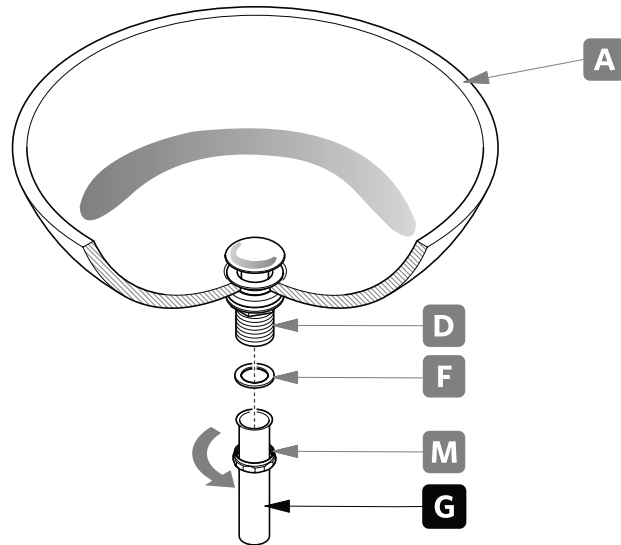
OR

**FOR SINKS
WITH OVERFLOW**



P-TRAP INSTALLATION

1 Install tail pipe (G).



2 Install P-trap (J).

