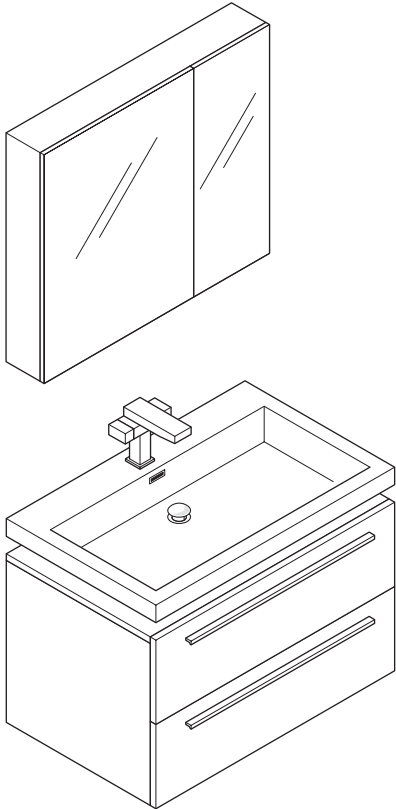


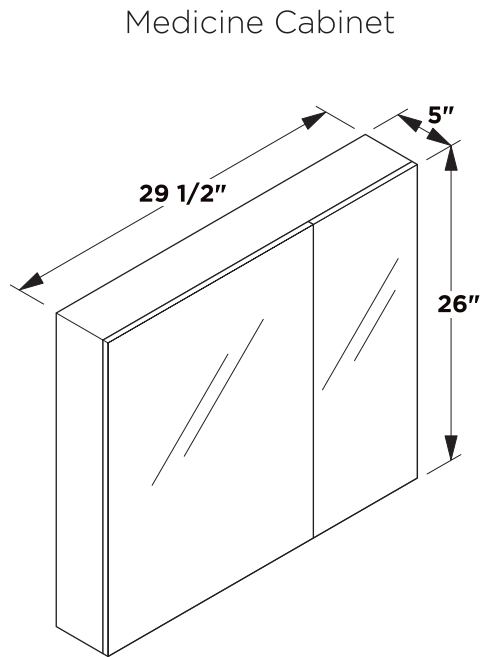
FVN8080
MEDIO
INSTALLATION GUIDE



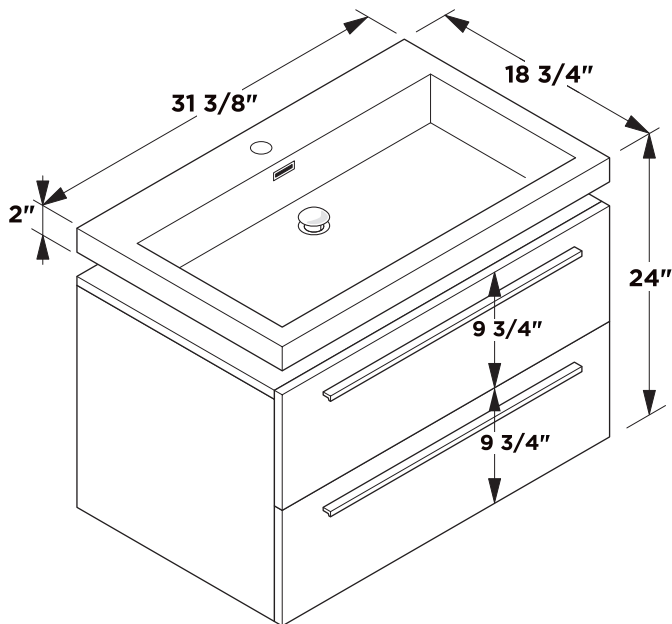
FRESCA®



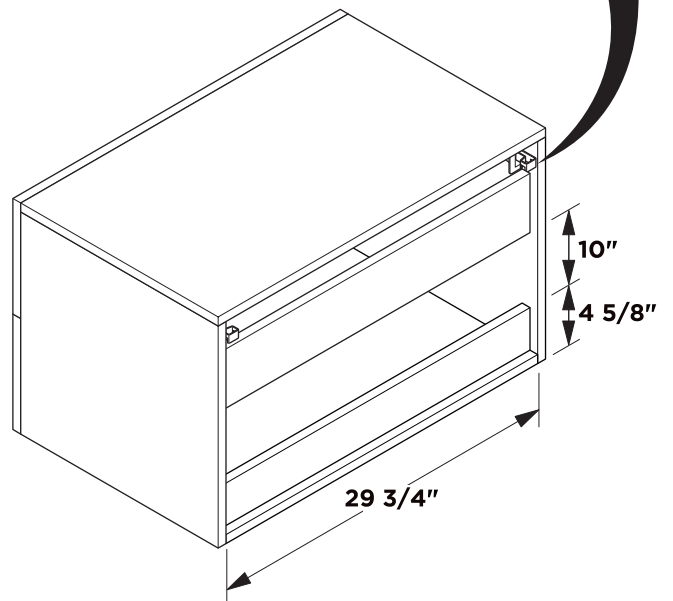
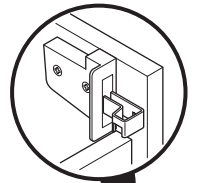
Vanity Front



Medicine Cabinet



Vanity Back

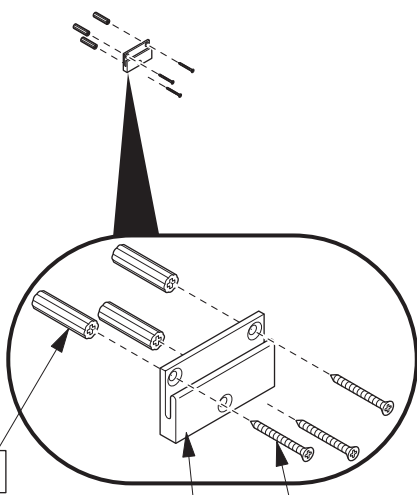
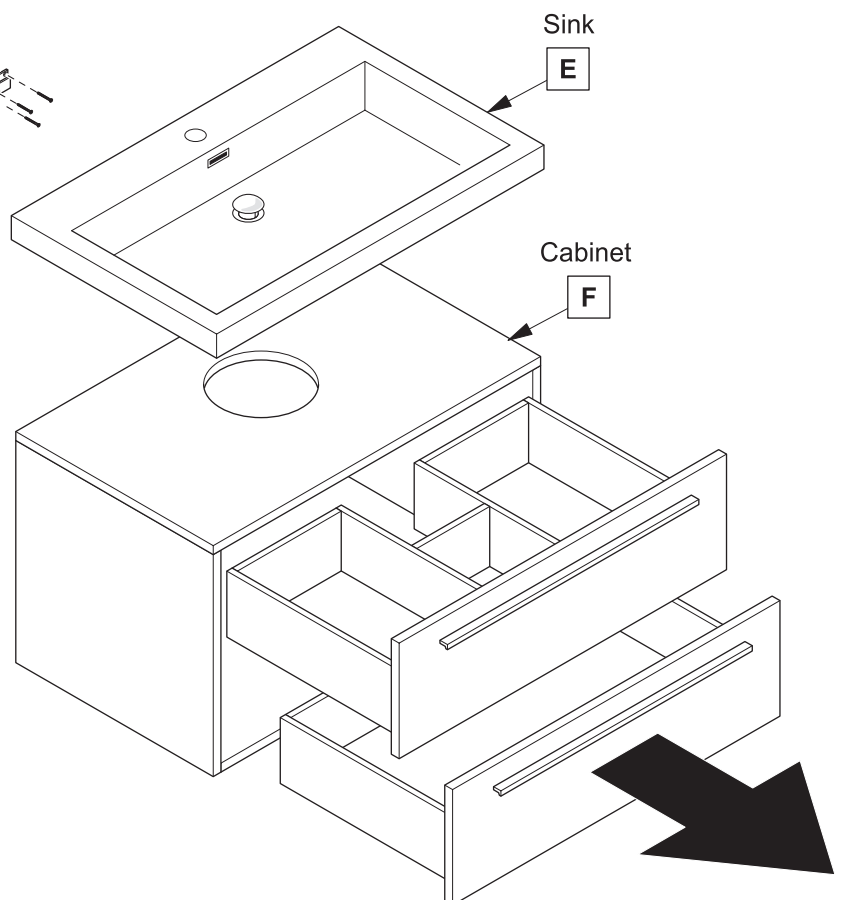
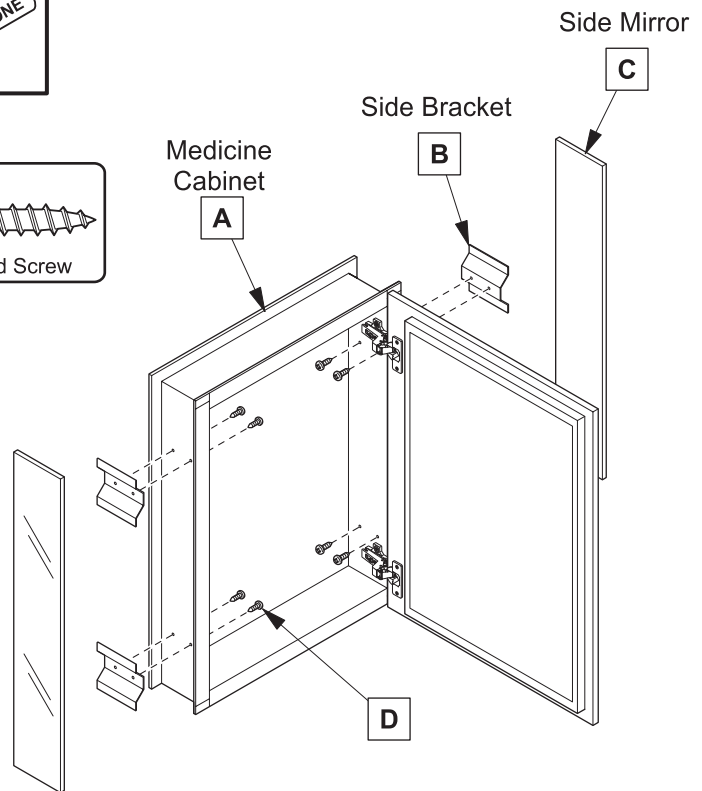
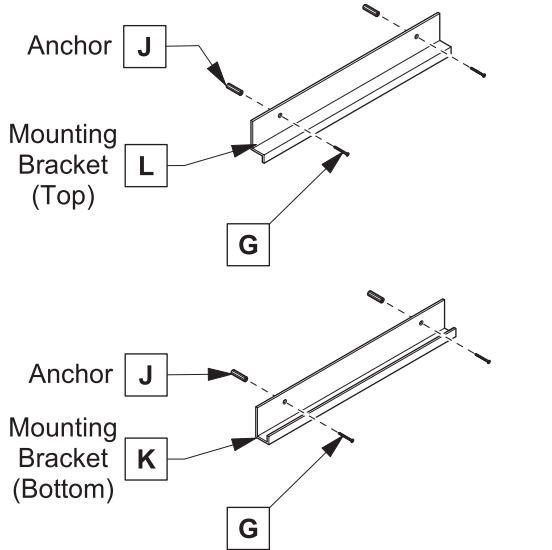
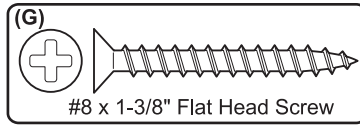


Note: All dimensions and specifications are approximate and subject to change without notice.

TOOLS FOR ASSEMBLY



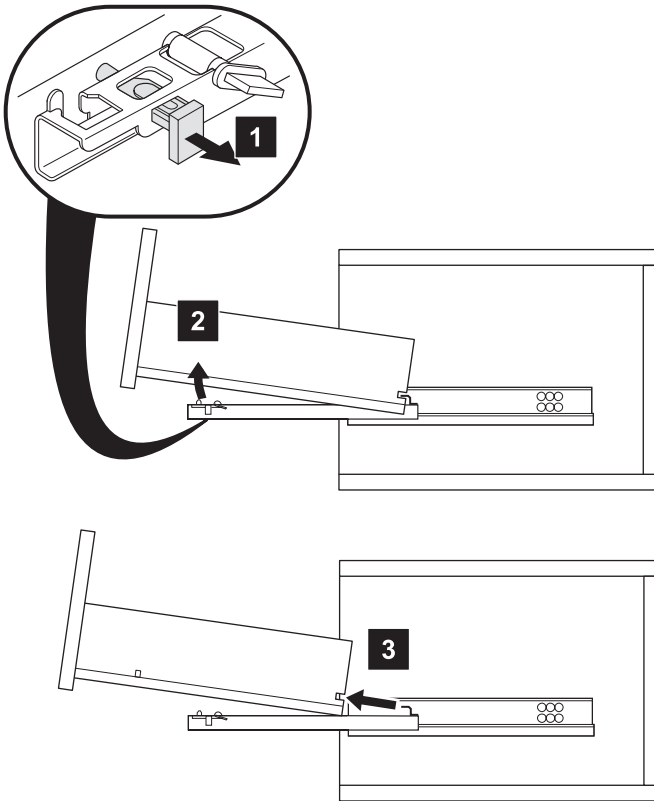
PARTS



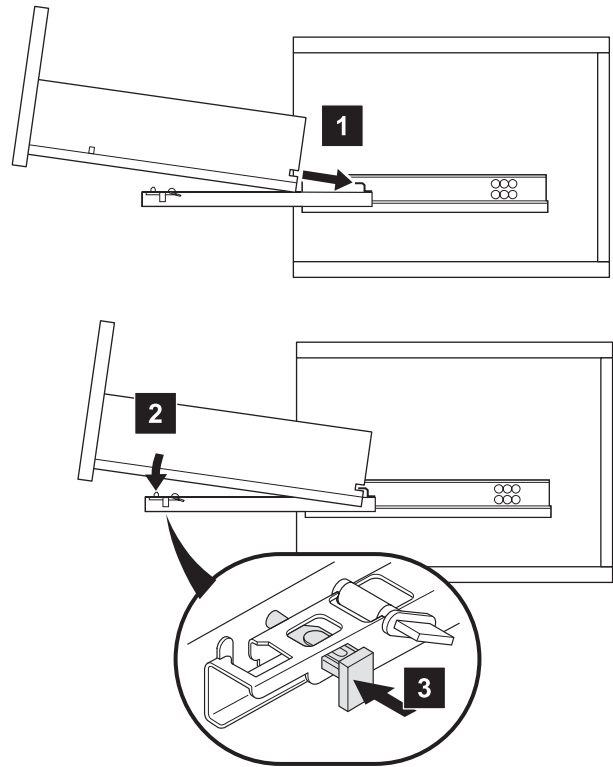
NOTE: Only use anchors (J) if stud (2"x4" frame) is not available.

DRAWER REMOVAL & INSTALLATION

REMOVAL

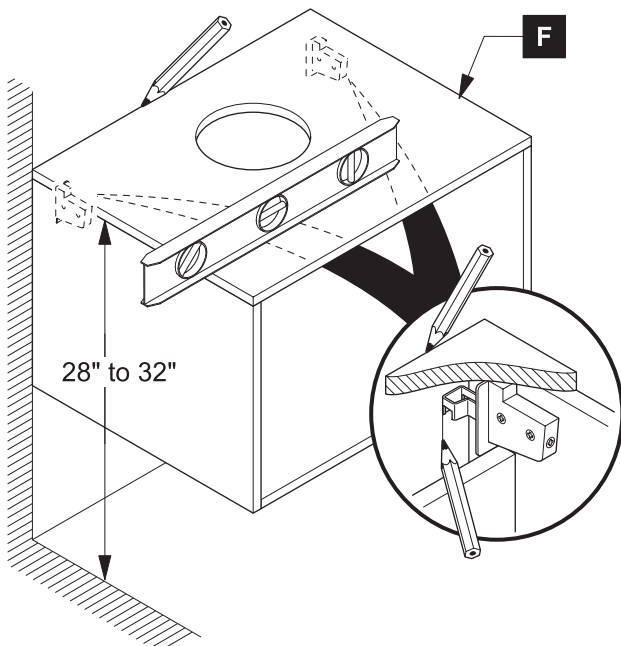
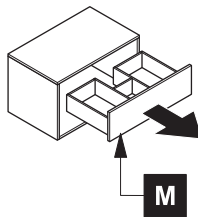


INSTALLATION



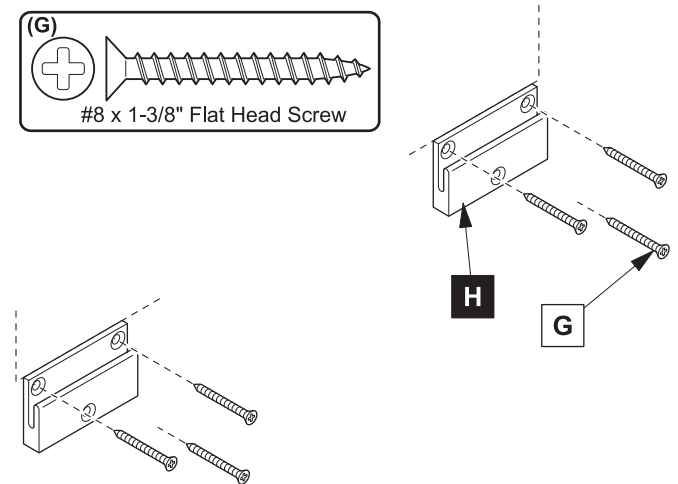
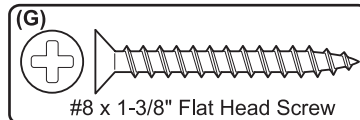
1 Remove drawer (M)

2 Locate cabinet (F) & mark location



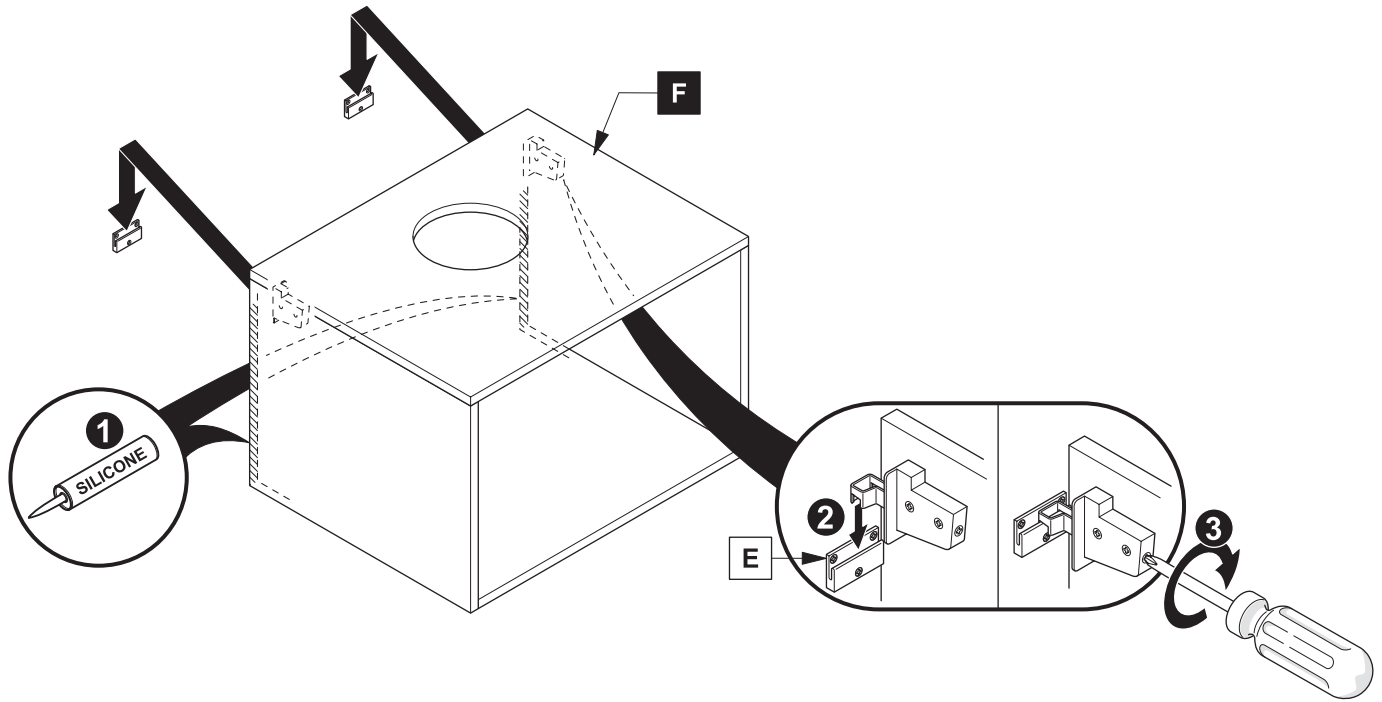
3 Install wall brackets (H)

IMPORTANT: Consult an expert for the proper screws/bolts to use when attaching to various wall constructions. Screws provided do not attach to all wall construction types.



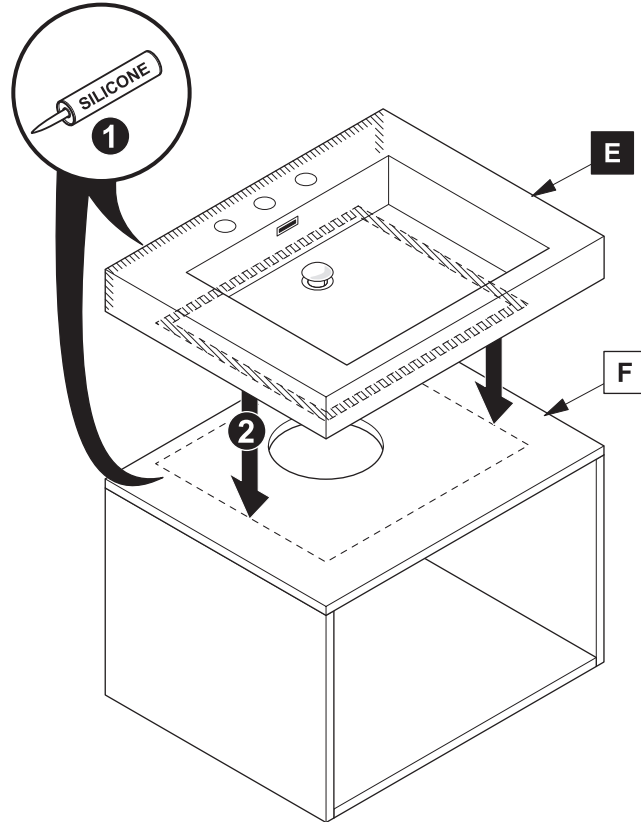
4

Apply silicone and install cabinet (F)



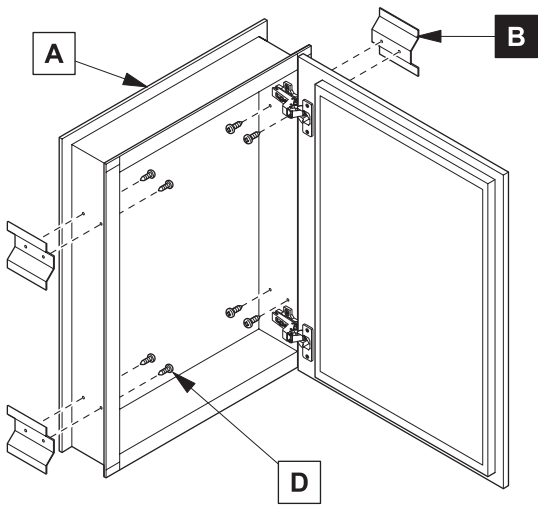
5

Apply silicone and install sink (E)

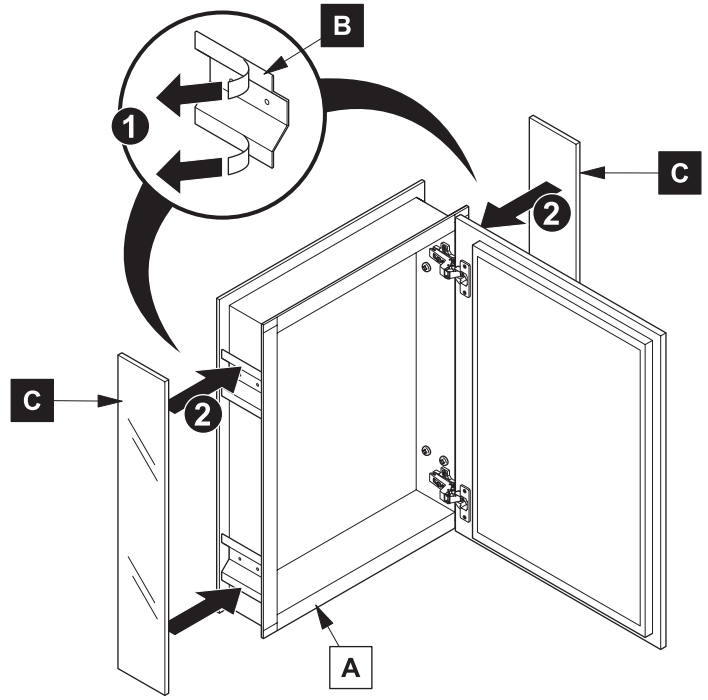


MEDICINE CABINET INSTALLATION

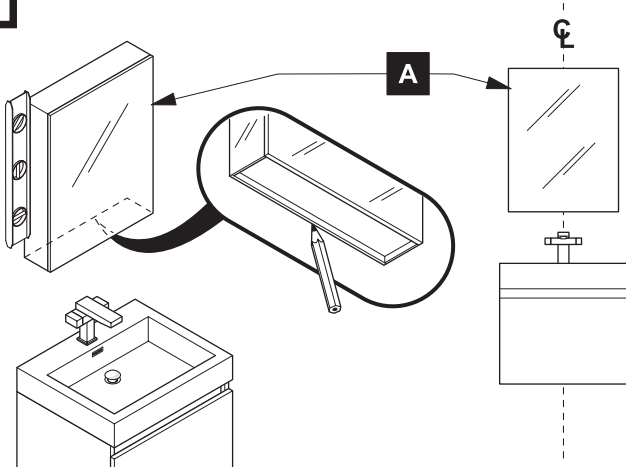
1 Install side brackets (B)



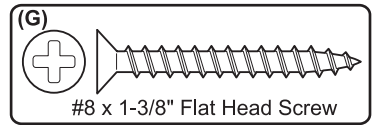
2 Install side mirrors (C)



3 Mark cabinet (A) location

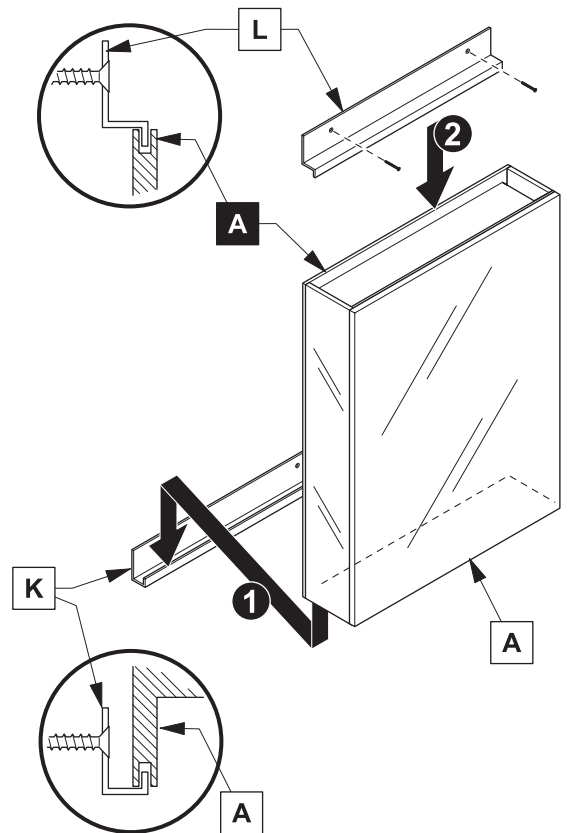
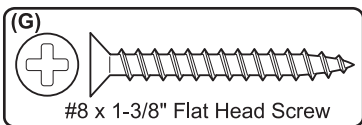


5 Install cabinet (A)



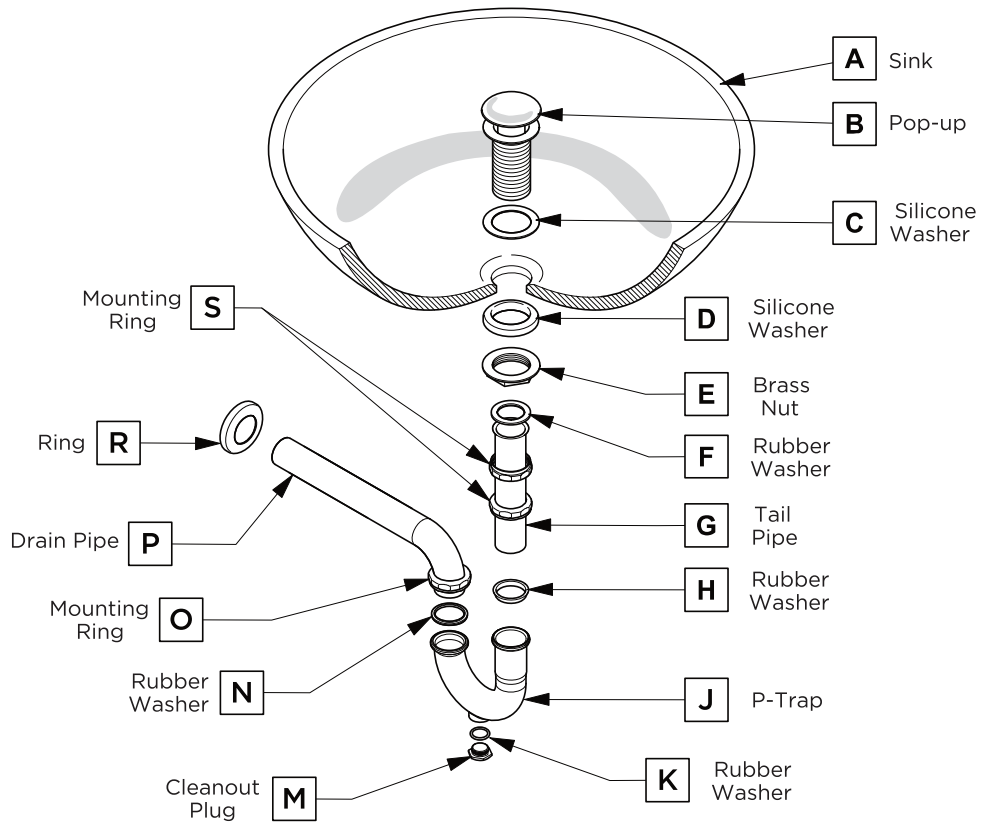
4 Install bottom bracket (K)

IMPORTANT: Consult an expert for the proper screws/bolts to use when attaching to various wall constructions. Screws provided do not attach to all wall construction types.



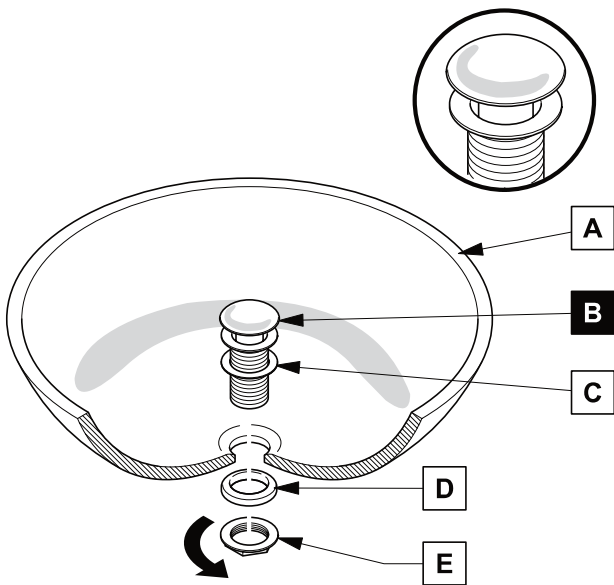
P-TRAP AND POP-UP INSTALLATION INSTRUCTIONS

Your item may appear slightly different from the illustration



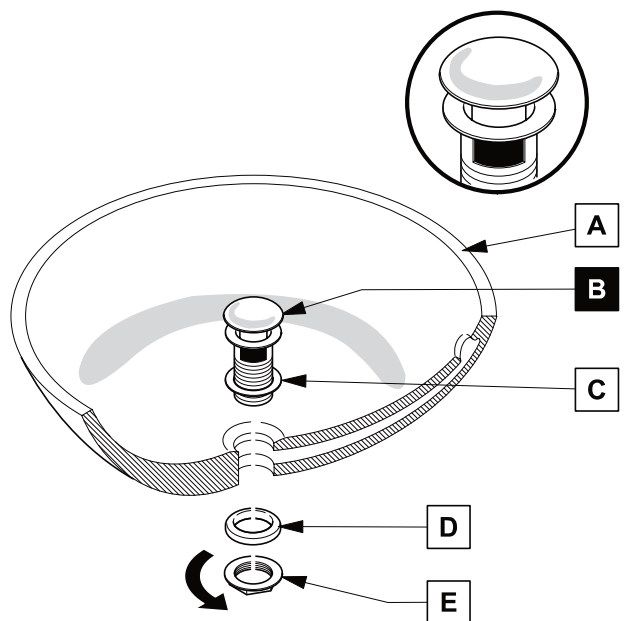
POP-UP INSTALLATION

FOR SINKS WITHOUT OVERFLOW



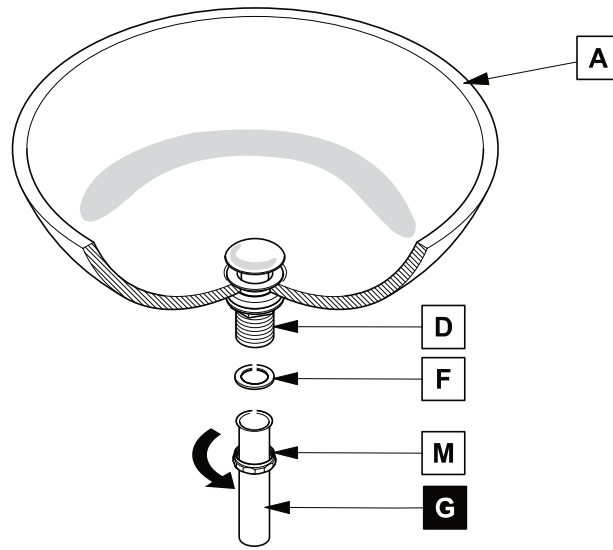
OR

FOR SINKS WITH OVERFLOW



P-TRAP INSTALLATION

1 Install tail pipe (G)



2 Install p-trap (J)

