



Stella  
COLLECTION

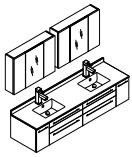
# LUCERA

**FVN6172-UNS-D**

**INSTALLATION GUIDE**

CONTENTS:

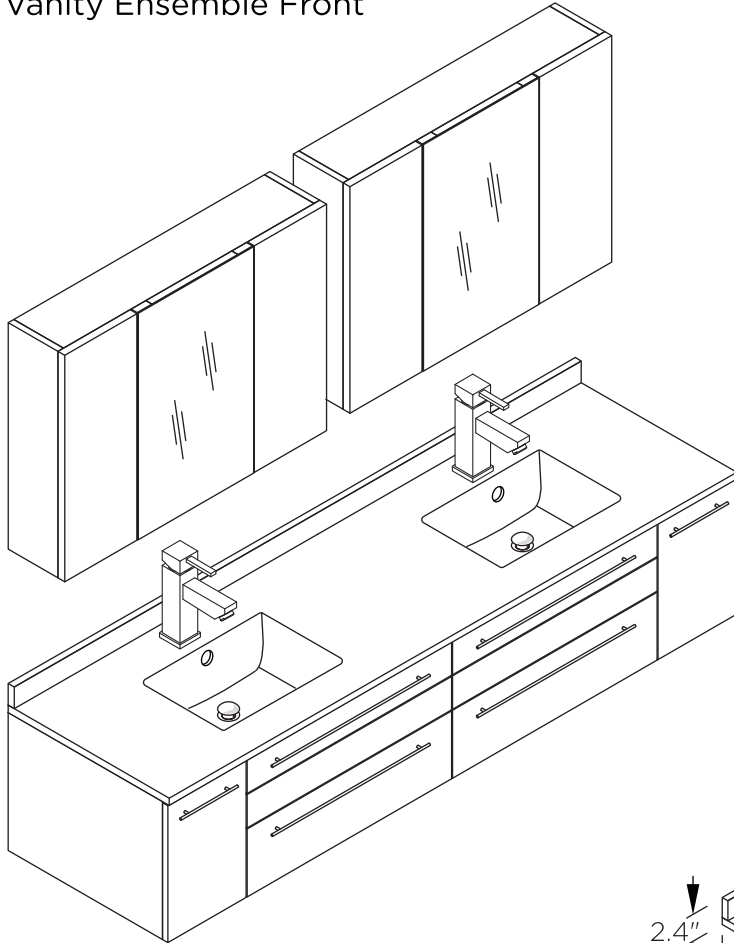
Medicine Cabinet.....	FMC6183.....	PAGE 2
Cabinet.....	FCB6172-UNS-D.....	PAGE 3
Counter Top / Sink.....	FCT2072WH-D-CMB.....	PAGE 4



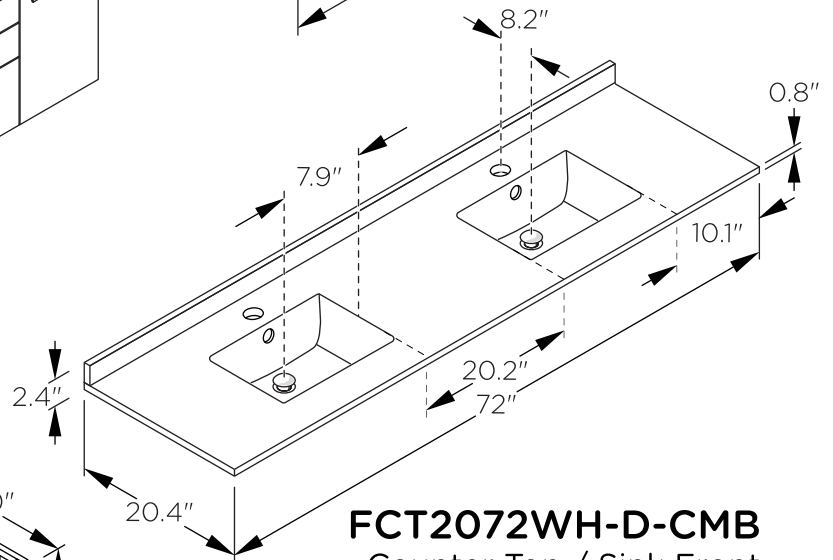
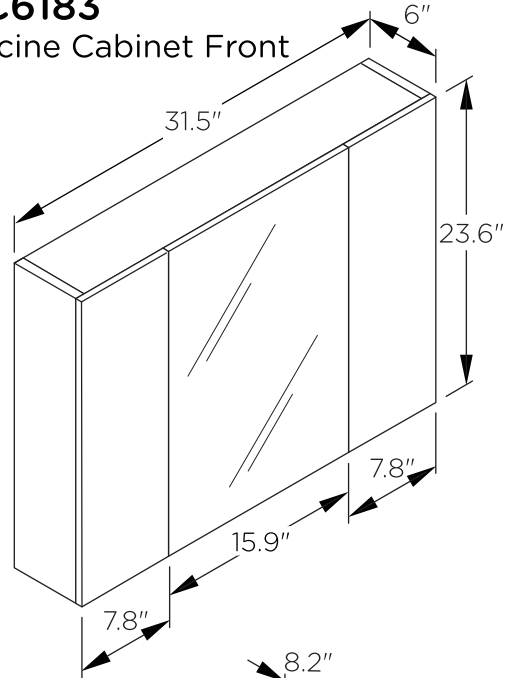
# FVN6172-UNS-D LUCERA INSTALLATION GUIDE



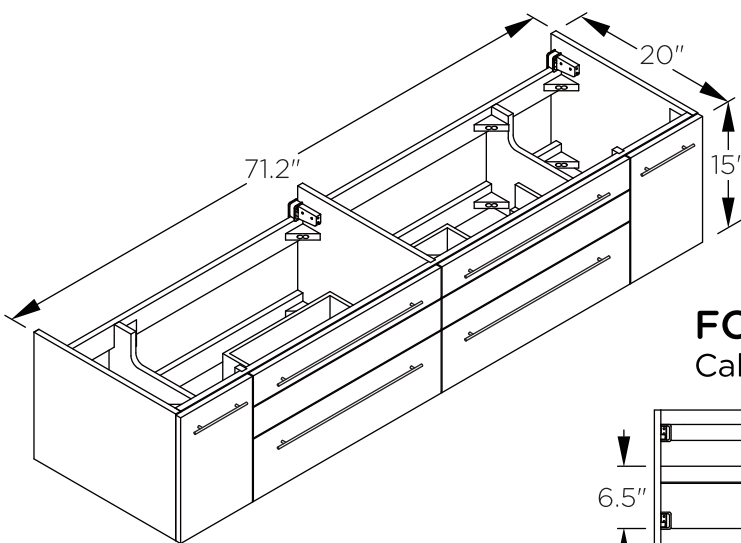
**FVN6172-UNS-D**  
Vanity Ensemble Front



**FMC6183**  
Medicine Cabinet Front

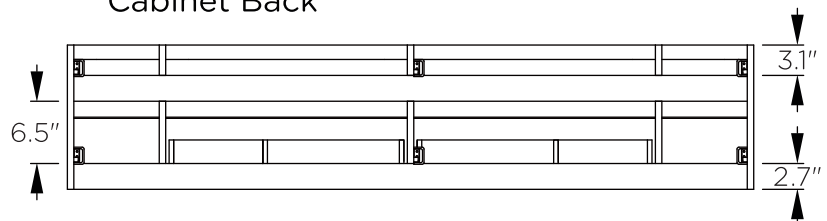


**FCT2072WH-D-CMB**  
Counter Top / Sink Front

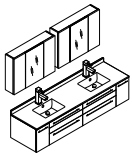


**FCB6172-UNS-D**  
Cabinet Front

**FCB6172-UNS-D**  
Cabinet Back



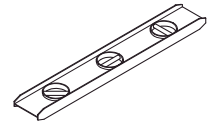
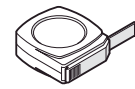
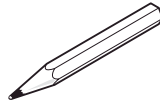
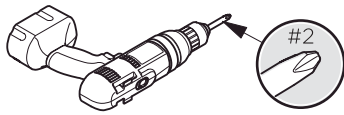
>All dimensions & specifications are approximate and subject to change without notice.



# FVN6172-UNS-D LUCERA INSTALLATION GUIDE

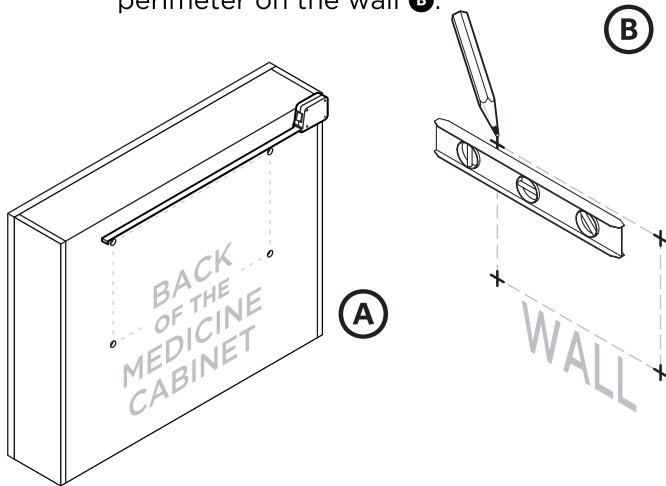


## TOOLS FOR ASSEMBLY

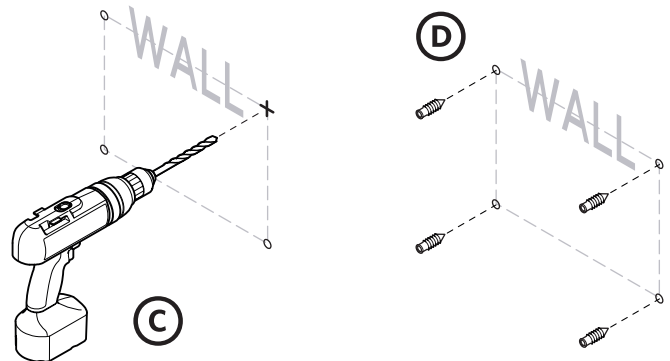


## MEDICINE CABINET INSTALLATION

- 1** Measure distance between the mounting holes on the back of medicine cabinet **A** and mark the perimeter on the wall **B**.

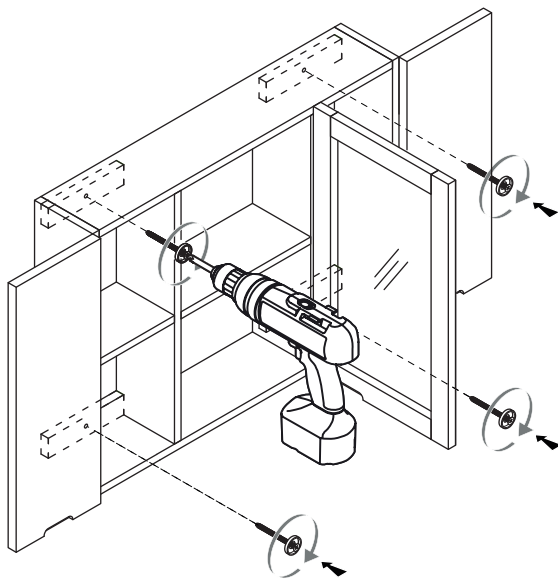


- 2** Once marked, drill the holes in the wall **C**.  
\*Insert the anchors in the holes **D**.

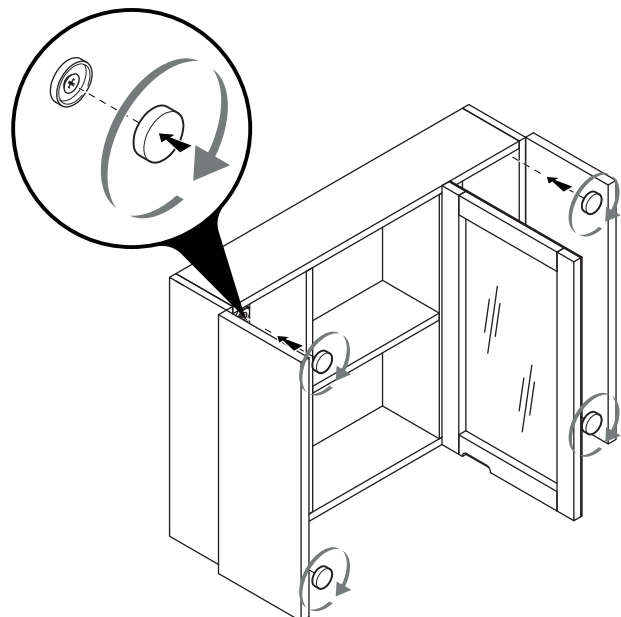


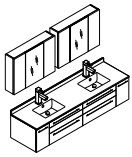
**\*IMPORTANT:** Consult an expert for the proper screws/bolts to use when attaching to various constructions. Screws provided do not attach to all wall construction types. Anchors are not required if brackets are installed in stud.

- 3** Connect medicine cabinet to the wall using a drill.



- 4** Cover the screws with the screw caps.



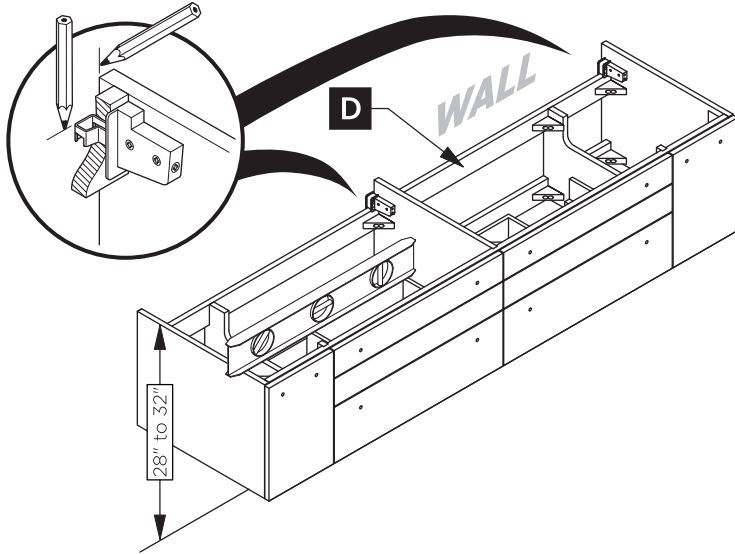


# FVN6172-UNS-D LUCERA INSTALLATION GUIDE

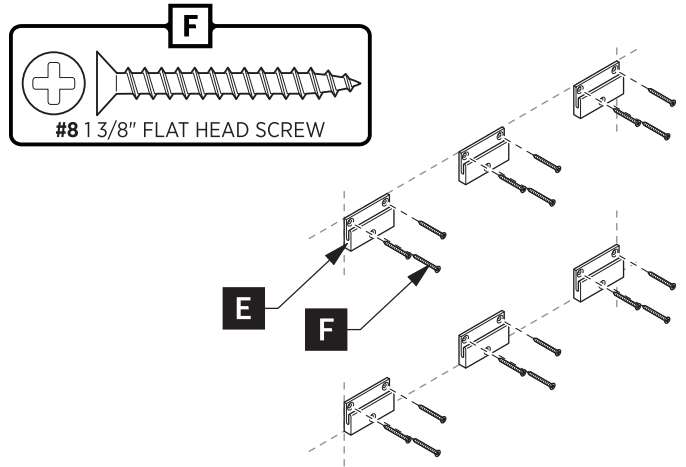


## CABINET INSTALLATION

- 1** Place cabinet (D) in designated location and mark the bracket position on the wall.

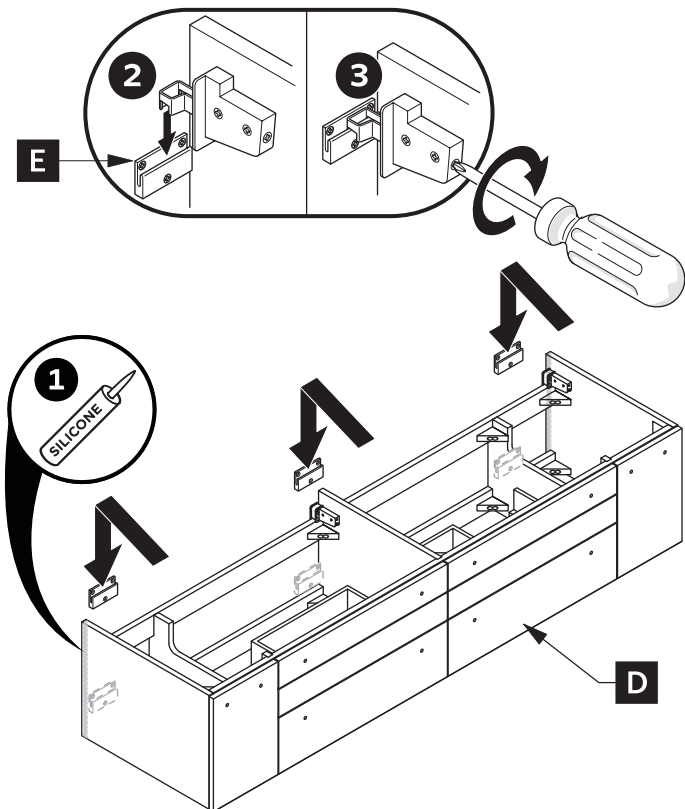


- 2** Attach wall brackets (E) to the wall with the screws (F).

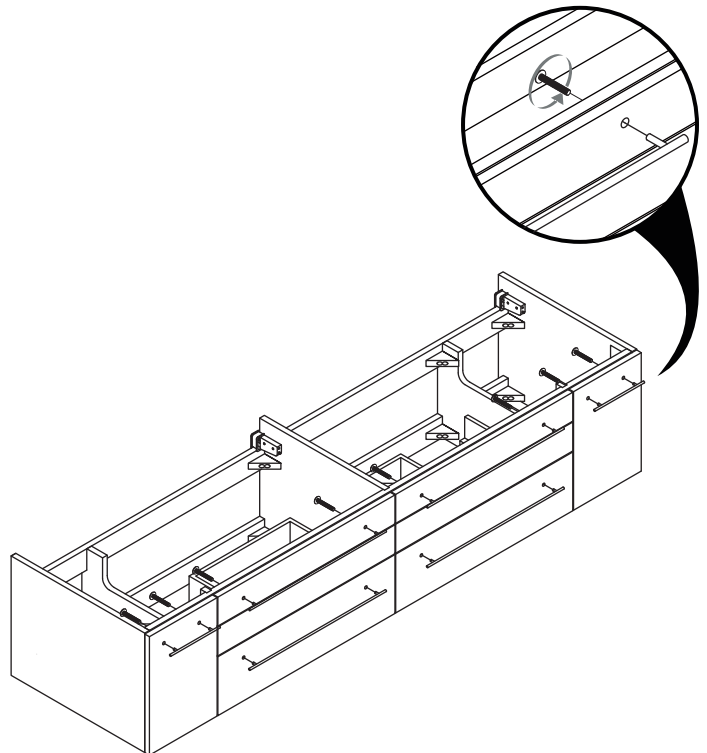


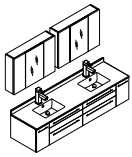
**IMPORTANT:** Consult an expert for the proper screws/bolts to use when attaching to various constructions. Screws provided do not attach to all wall construction types. Anchors are not required if brackets are installed in stud.

- 3** Apply a bead of the silicone and hang a cabinet (D) on the brackets (E).



- 4** Attach the handles to the cabinet.



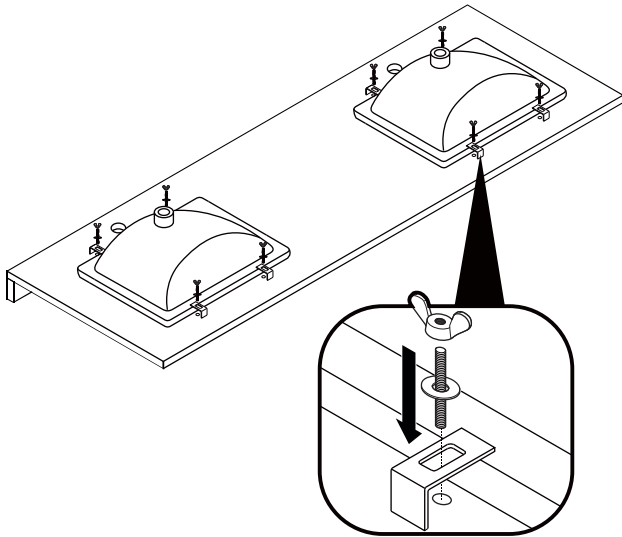


# FVN6172-UNS-D LUCERA INSTALLATION GUIDE

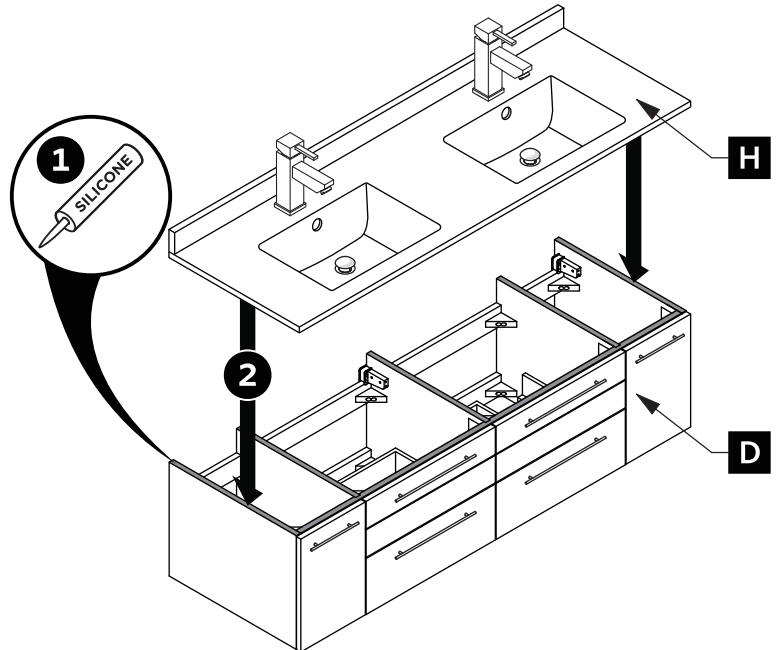


## CABINET INSTALLATION

**5** Flip the counter top upside down and attach the sinks to it using provided brackets & screws.

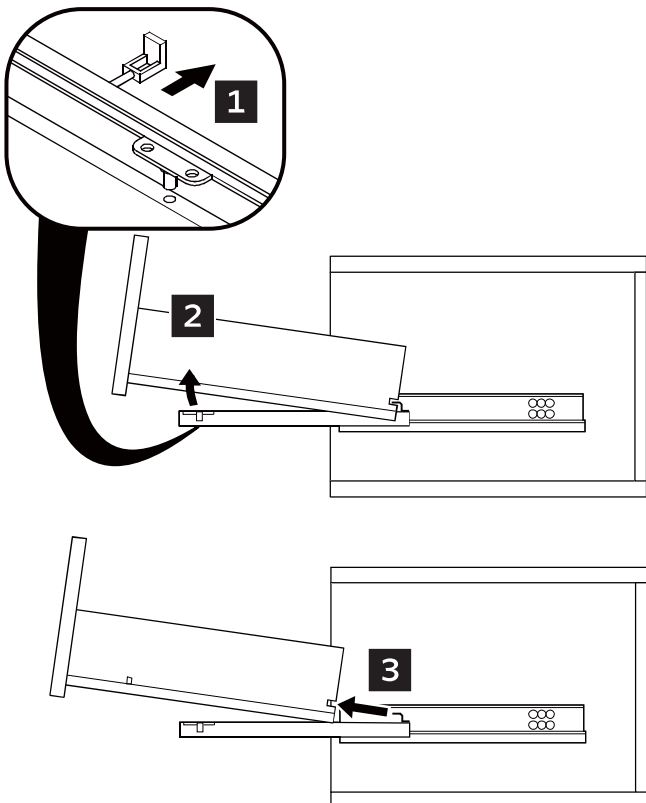


**6** Put a bead of silicone on the top of the cabinet (D) then place counter top/ sinks (H) on the top of it.

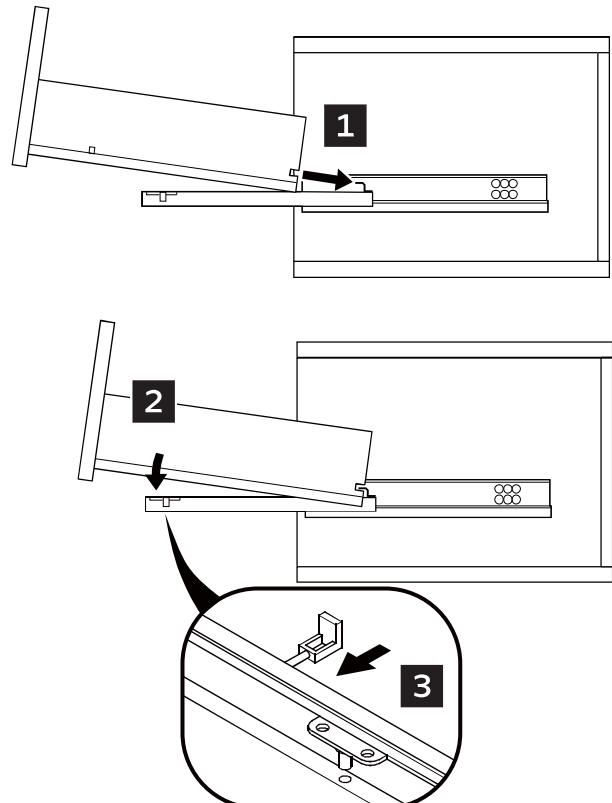


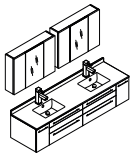
## DRAWER REMOVAL & INSTALLATION

### DRAWER REMOVAL



### DRAWER INSTALLATION





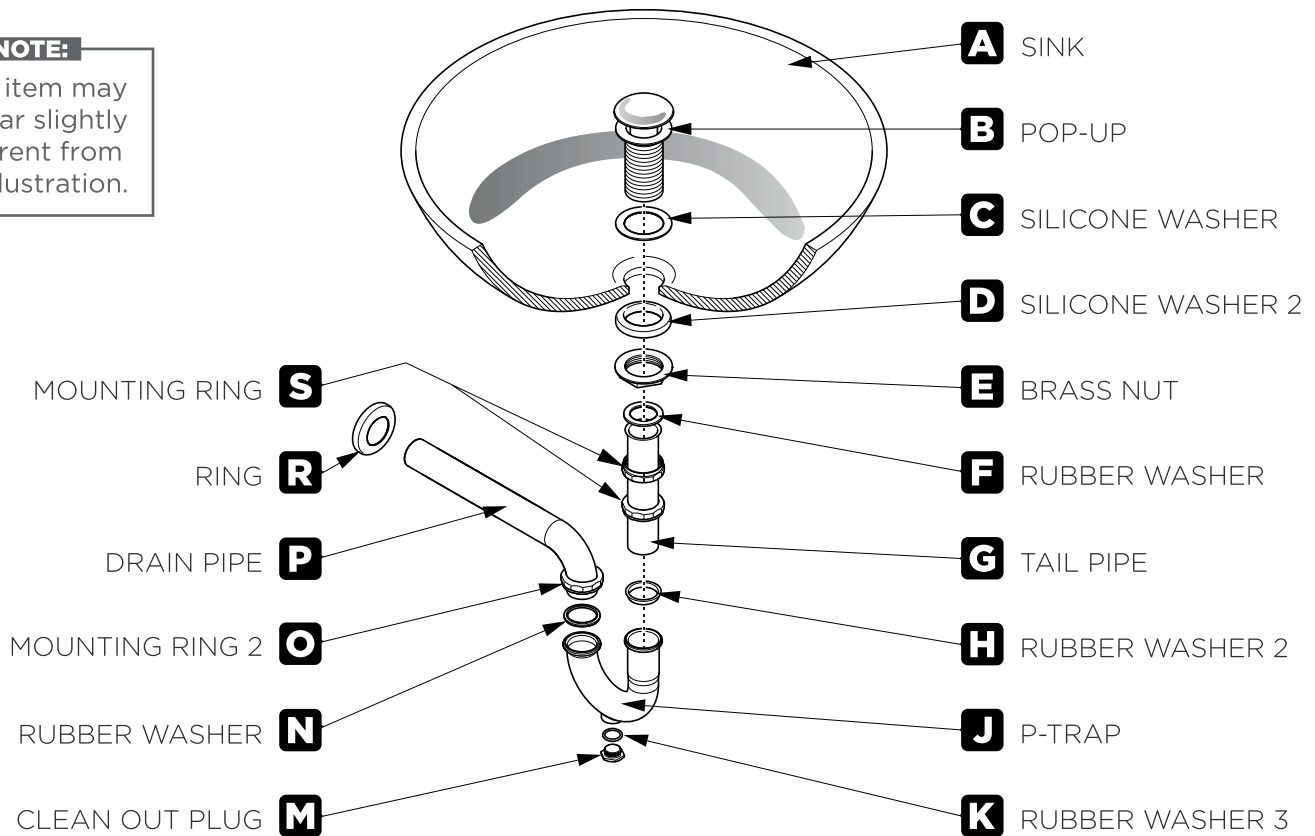
# FVN6172-UNS-D LUCERA INSTALLATION GUIDE



## P-TRAP AND POP-UP INSTALLATION INSTRUCTIONS

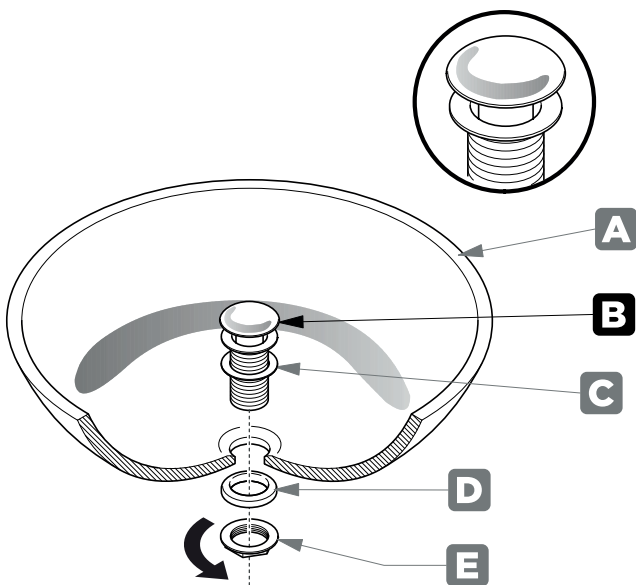
**NOTE:**

Your item may appear slightly different from the illustration.



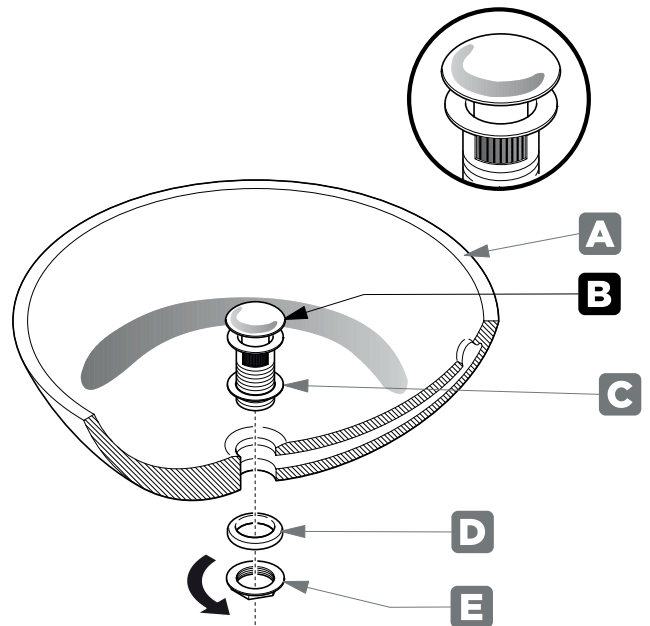
## POP-UP INSTALLATION INSTRUCTIONS

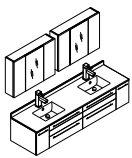
**FOR SINKS  
WITHOUT OVERFLOW**



OR

**FOR SINKS  
WITH OVERFLOW**



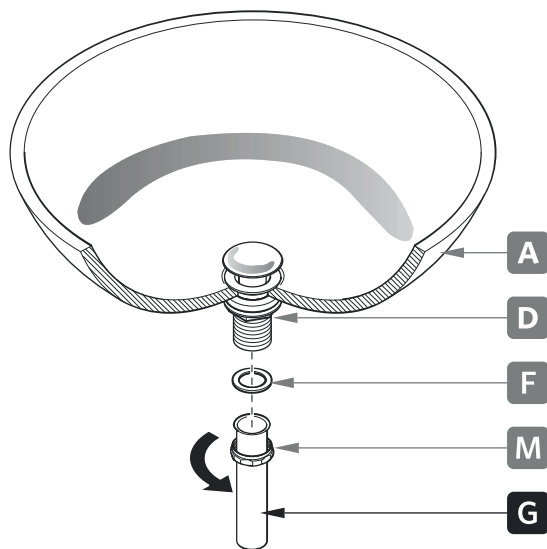


# FVN6172-UNS-D LUCERA INSTALLATION GUIDE



## P-TRAP INSTALLATION

**1** Install a tail pipe (G).



**2** Connect a P-trap (J).

