



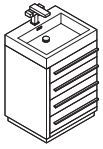
FVN8024

LIVELLO

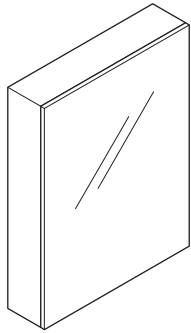
INSTALLATION GUIDE

CONTENTS:

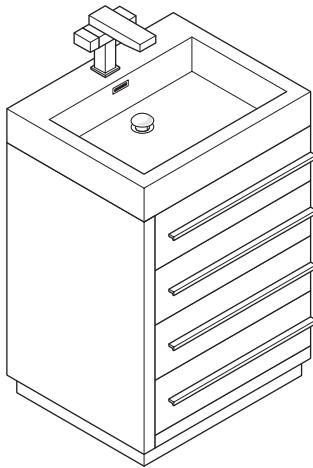
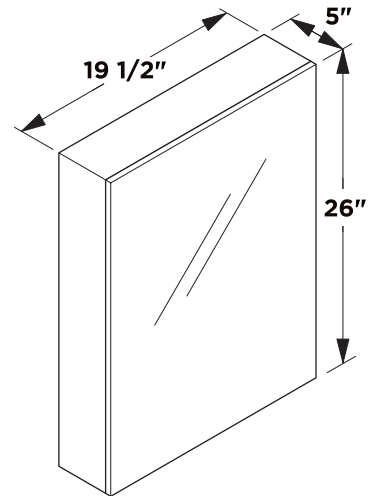
Cabinet.....(FCB8024).....	PAGE 3
Sink.....(FVS8024).....	PAGE 3
Medicine Cabinet (FMC8058).....	PAGE 4



FVN8024
LIVELLO
INSTALLATION GUIDE

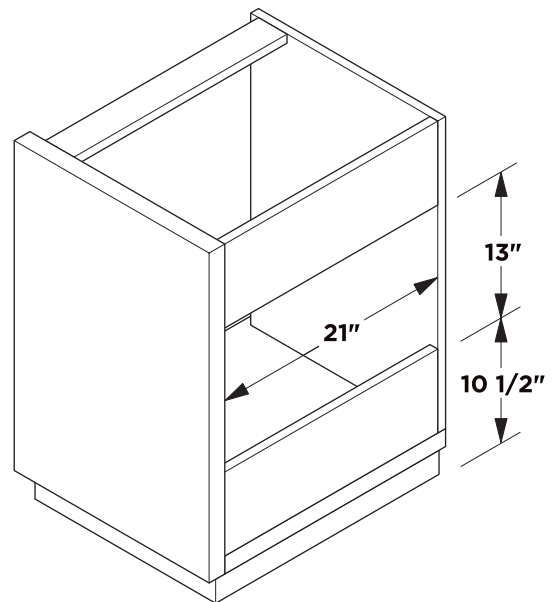
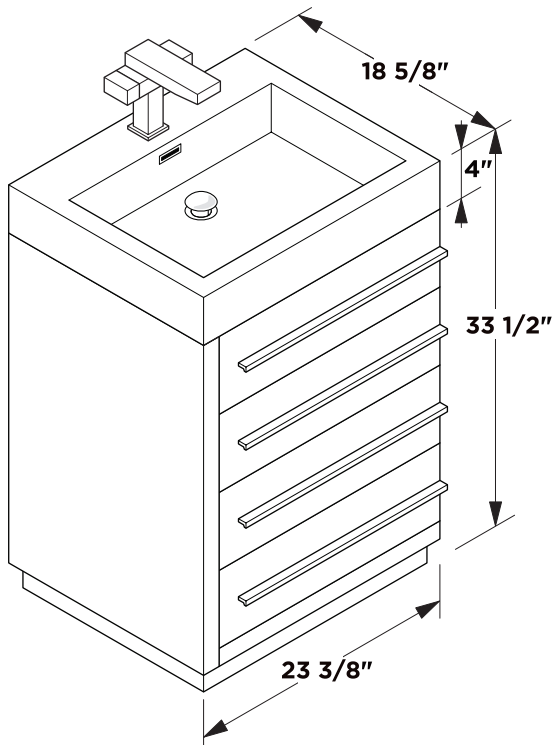


Medicine Cabinet



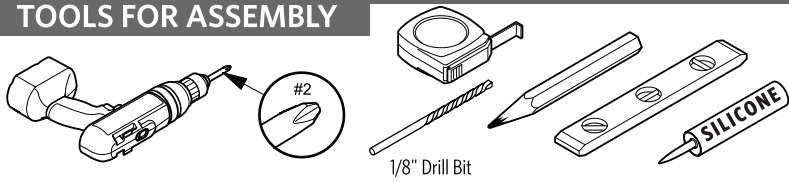
Vanity Front

Vanity Back



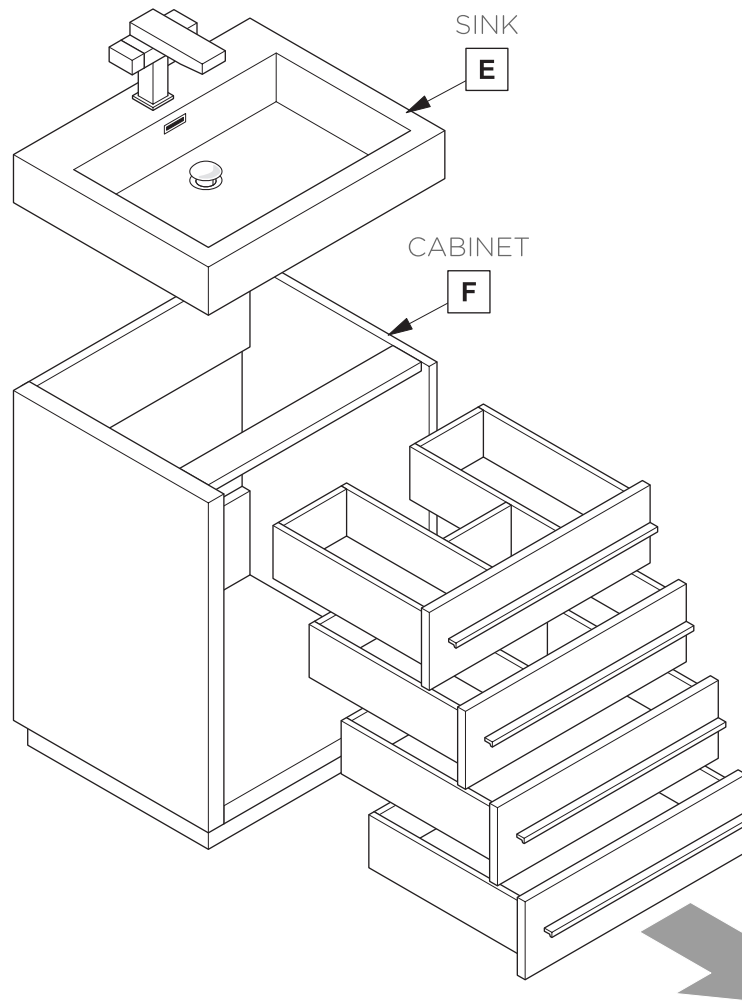
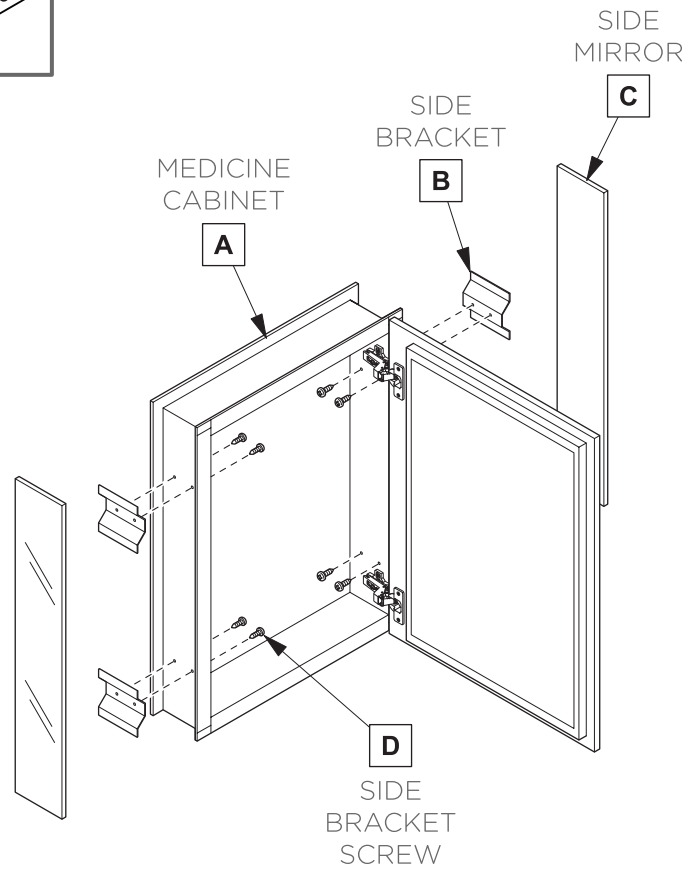
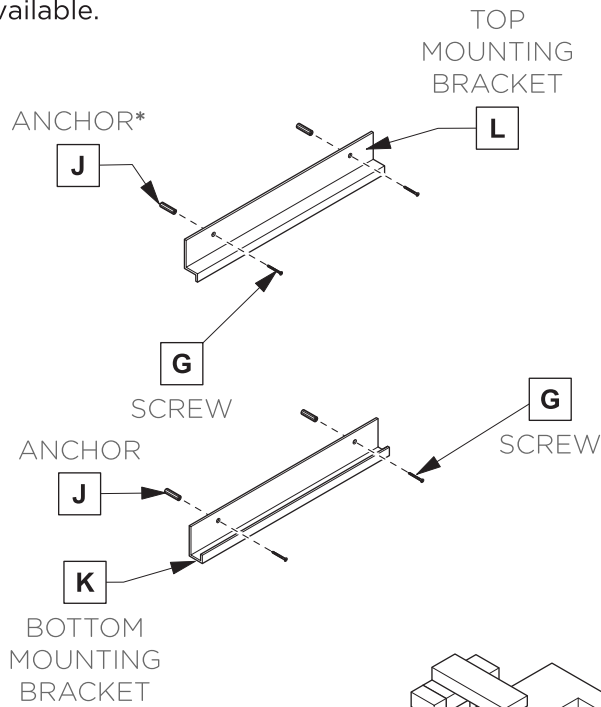
NOTE: ALL DIMENSIONS & SPECIFICATIONS ARE APPROXIMATE AND SUBJECT TO CHANGE WITHOUT NOTICE.

TOOLS FOR ASSEMBLY



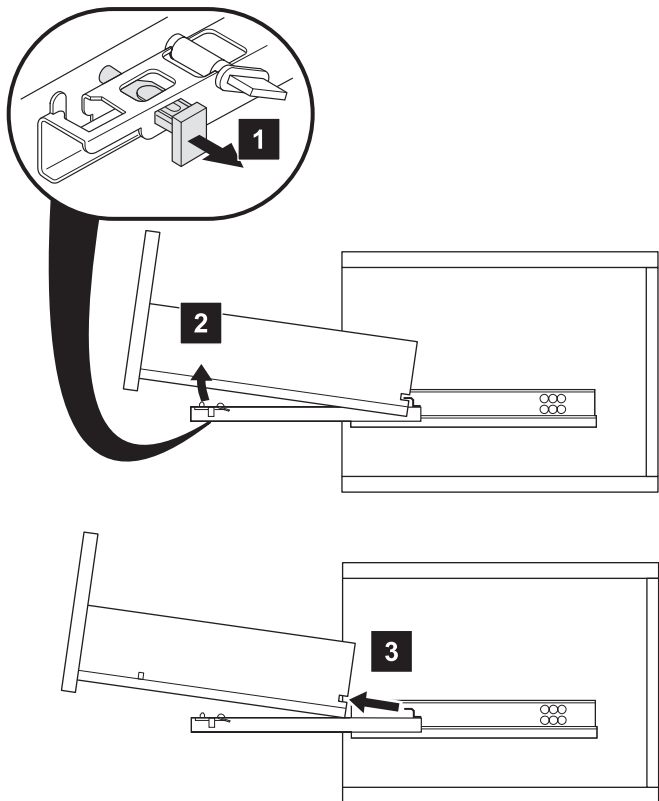
PARTS

***Note:** Only use anchors (**J**) if stud (2"x4" frame) is not available.

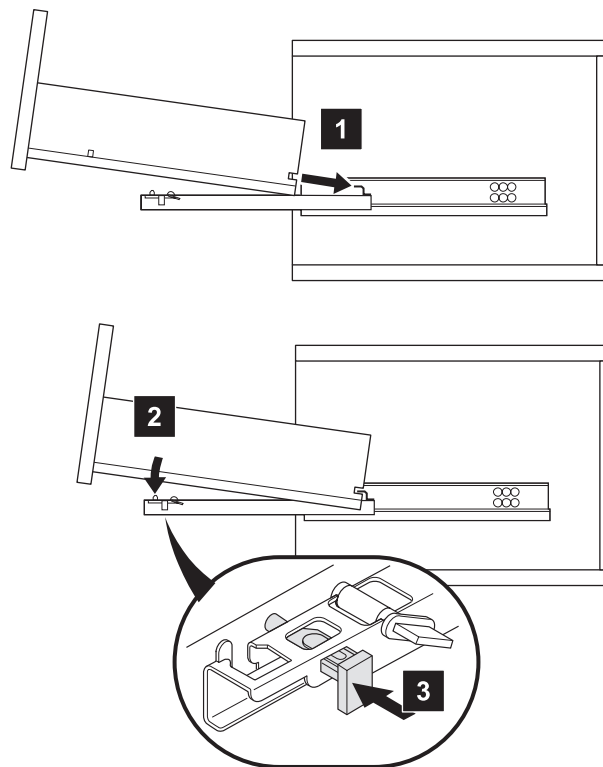


DRAWER REMOVAL & INSTALLATION

REMOVAL

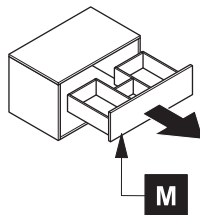


INSTALLATION

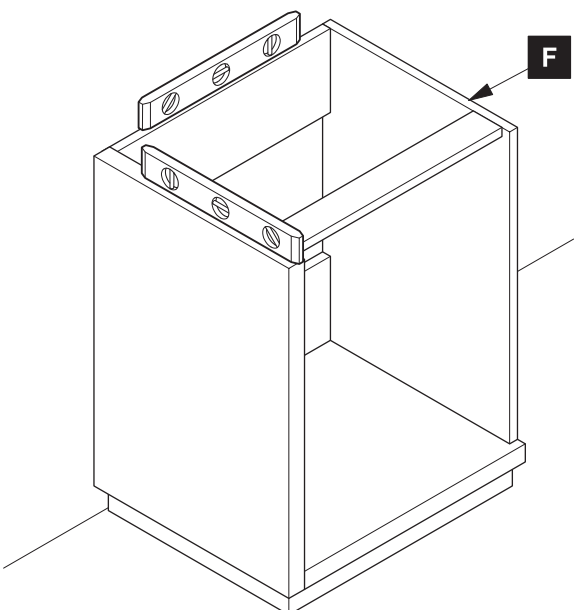


1 Remove drawer (M)

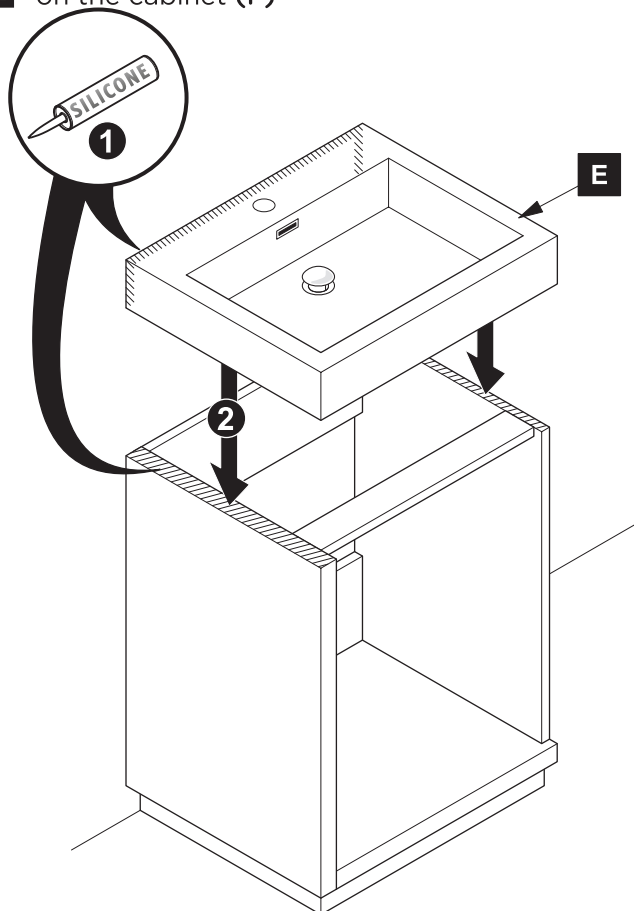
2 Install cabinet (F)



NOTE: Consult an expert for the proper screws/bolts to use when attaching to various constructions. Screws provided **do not** attach to all wall construction types.

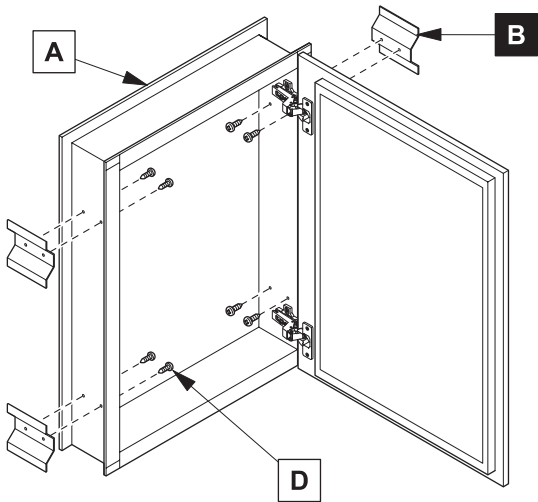


3 Apply silicone and place sink (E) on the cabinet (F)

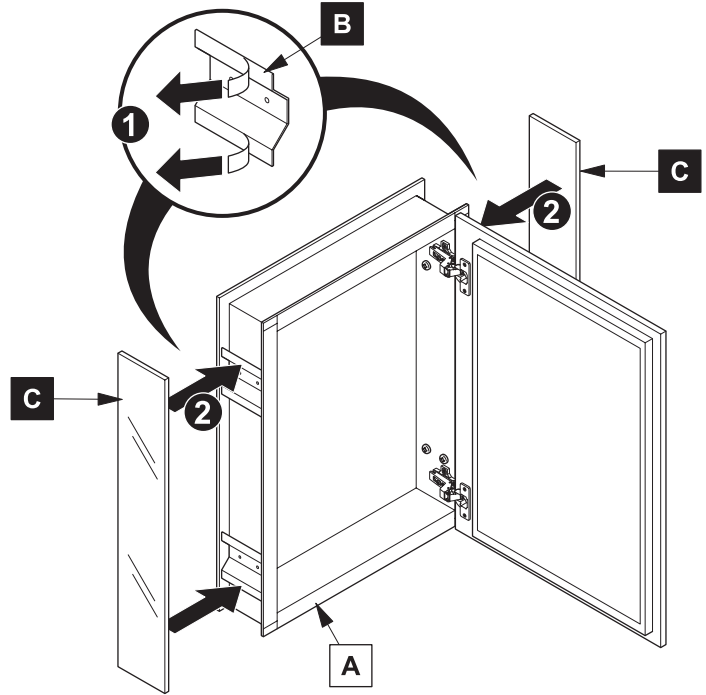


MEDICINE CABINET INSTALLATION

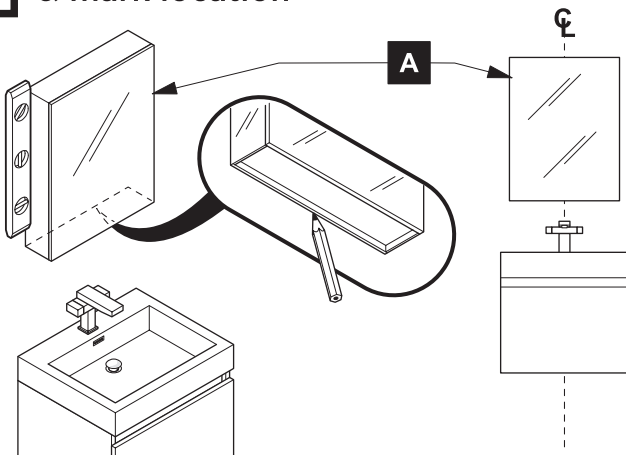
1 Locate cabinet (A) & mark location



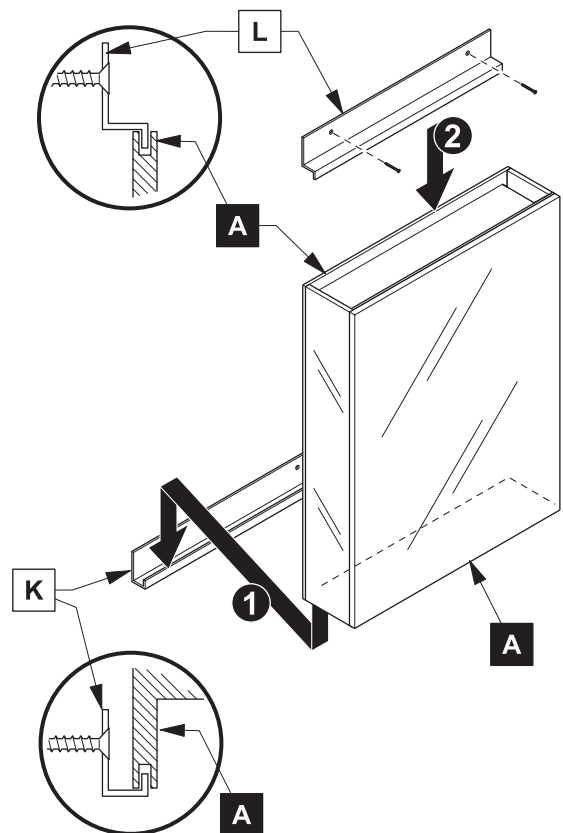
2 Install side mirrors (C)



3 Place cabinet (A) to the wall & mark location

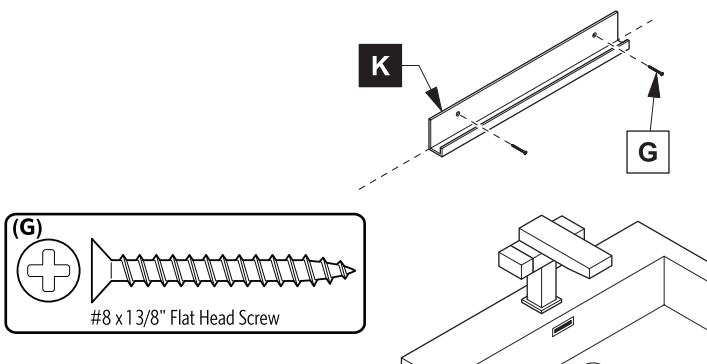


5 Place cabinet (A) on the bottom bracket (K) & secure cabinet with a top bracket (L)



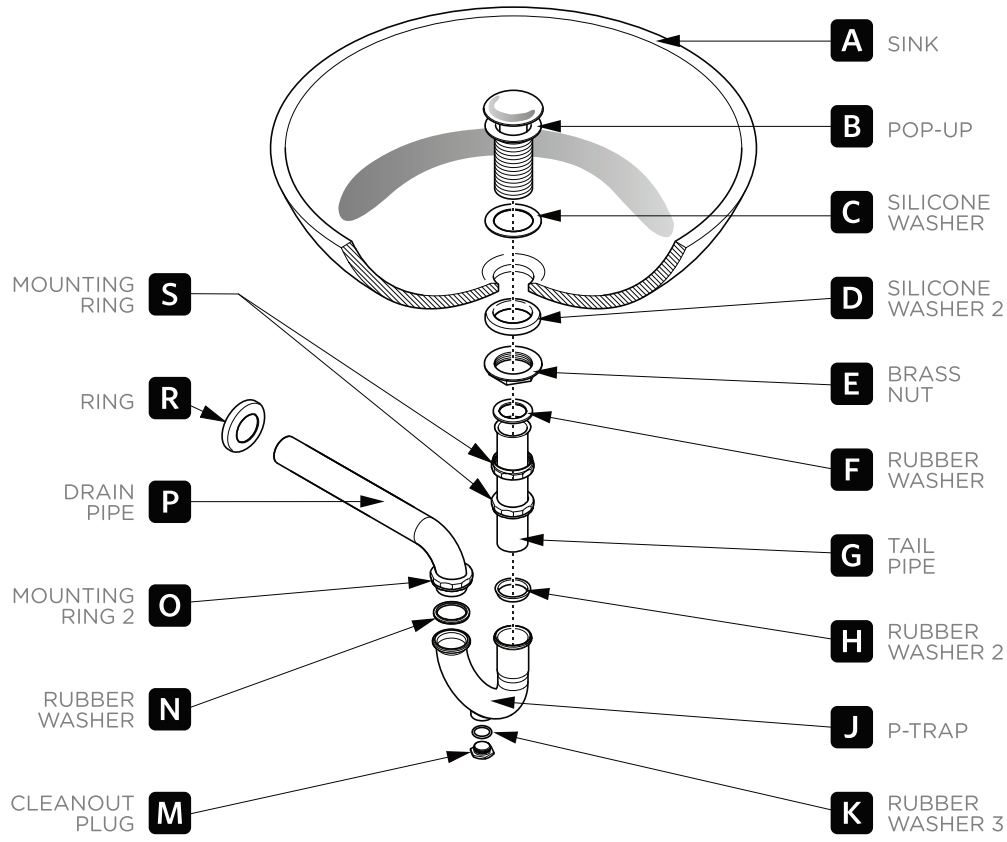
4 Install bottom bracket (K) to the wall

NOTE: Consult an expert for the proper screws/bolts to use when attaching to various constructions. Screws provided **do not** attach to all wall construction types.



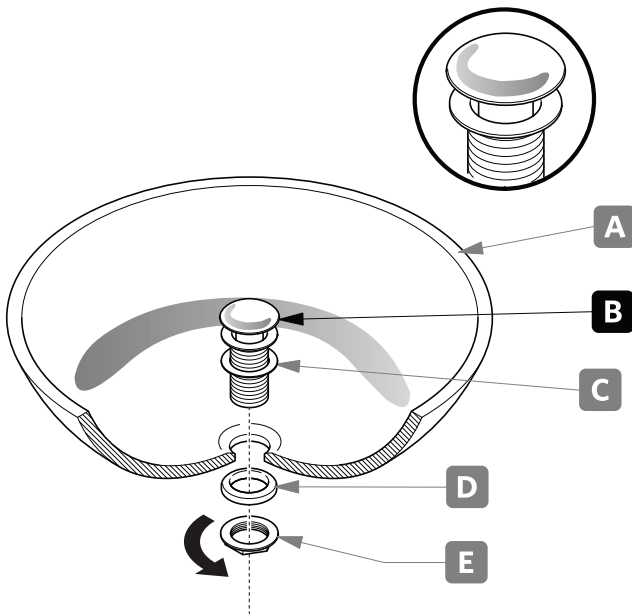
P-TRAP & POP-UP INSTALLATION INSTRUCTIONS

Your item may appear slightly different from the illustration.



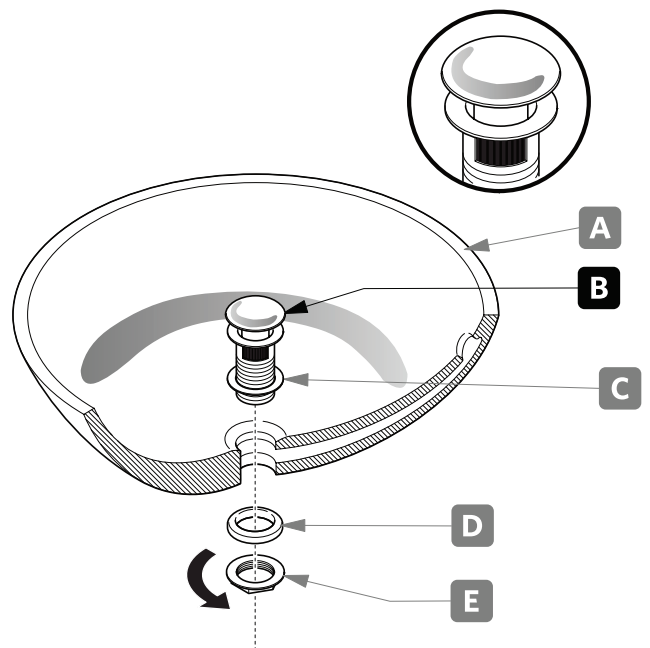
POP-UP INSTALLATION

**FOR SINKS
WITHOUT OVERFLOW**



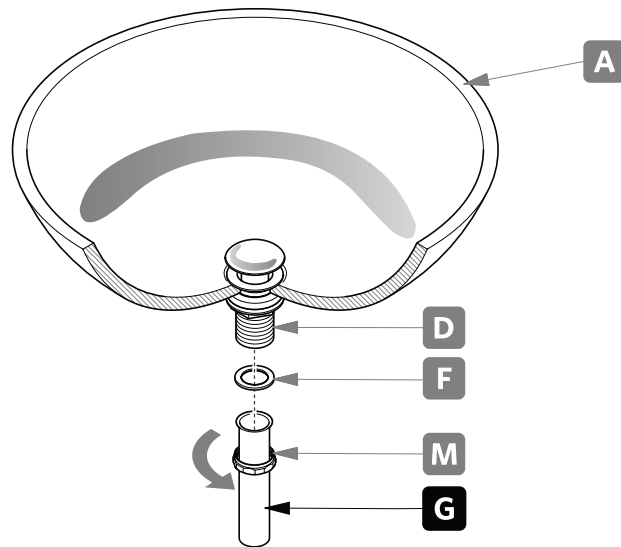
OR

**FOR SINKS
WITH OVERFLOW**



P-TRAP INSTALLATION

1. Install tail pipe **(G)**.



2. Install P-trap **(J)**.

