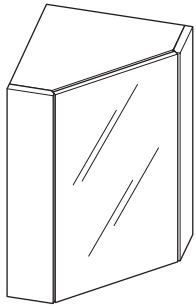
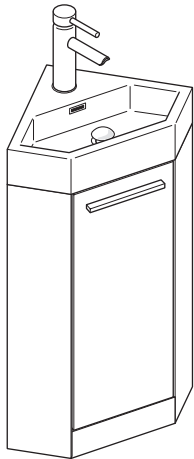
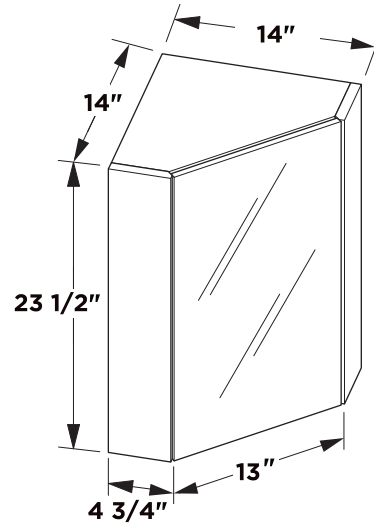




FVN5082
CODA
INSTALLATION GUIDE

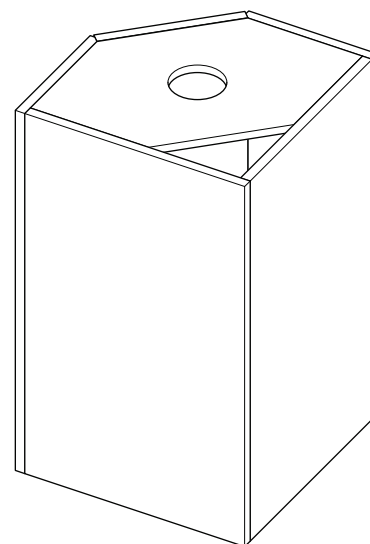
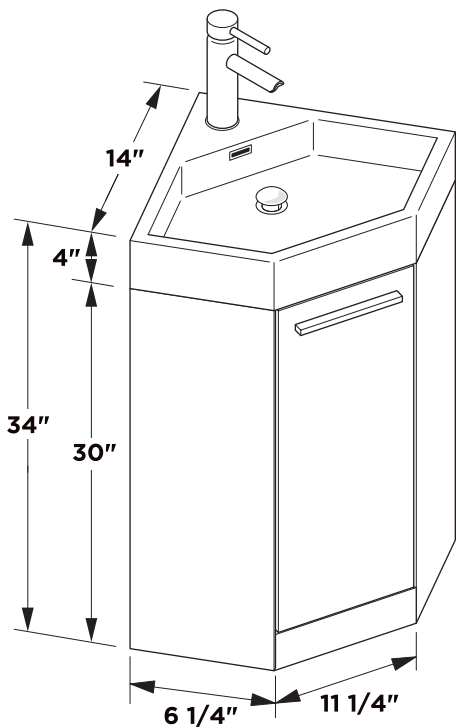


Medicine Cabinet
(Optional)



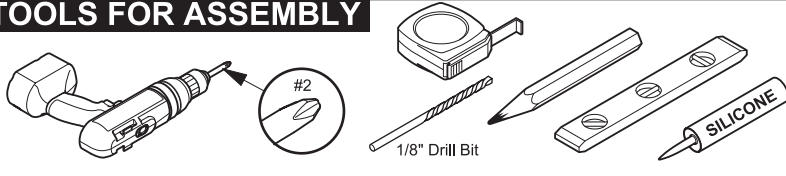
Vanity Front

Vanity Back

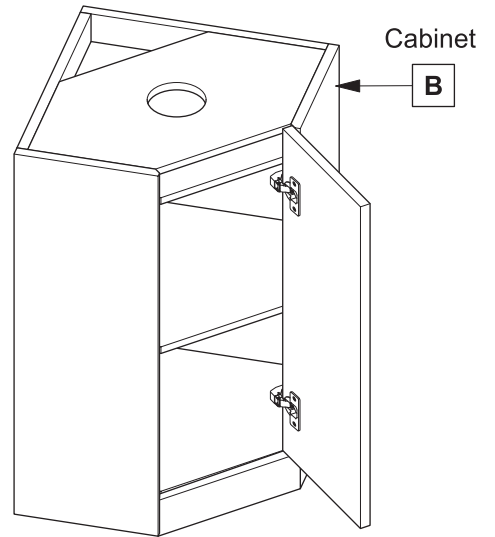
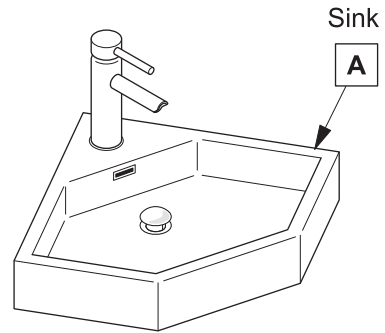
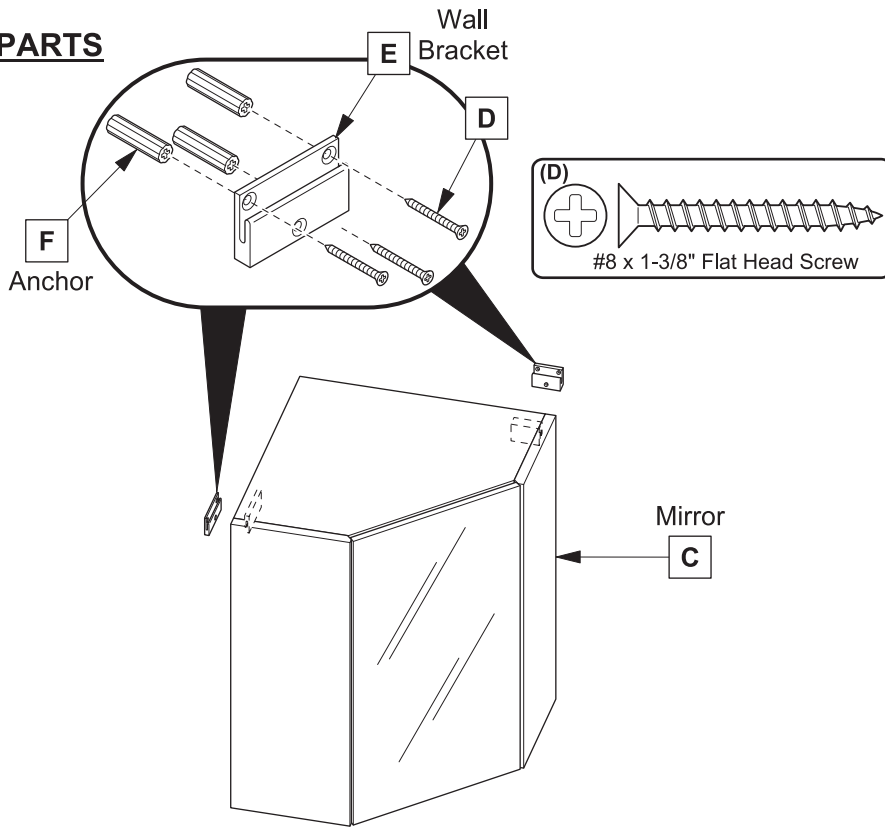


Note: All dimensions and specifications are approximate and subject to change without notice.

TOOLS FOR ASSEMBLY

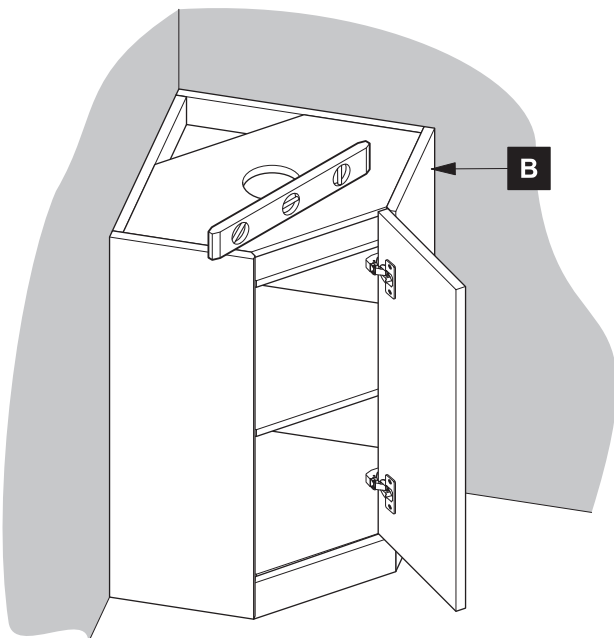


PARTS

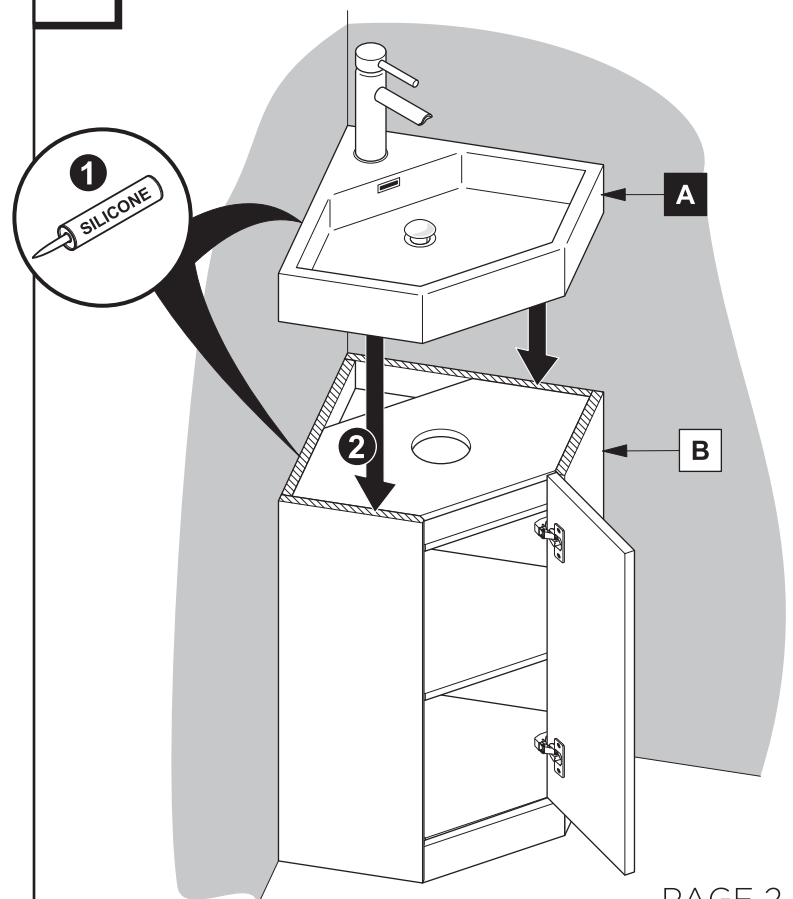


1 Install cabinet (C)

IMPORTANT: Consult an expert for the proper screws/bolts to use when attaching to various wall constructions. Screws provided do not attach to all wall construction types.



2 Apply silicone and install sink (B)



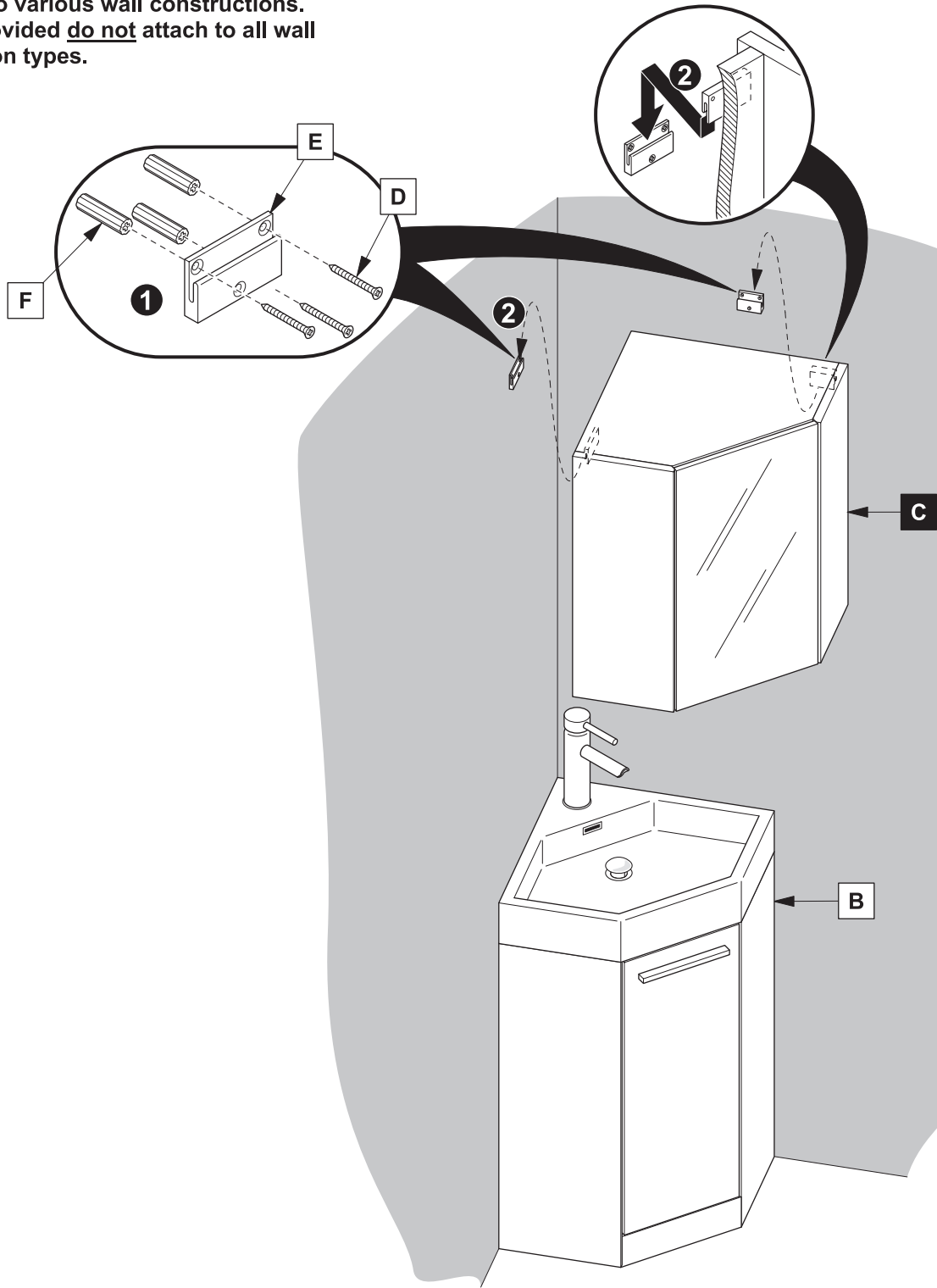
3

Install brackets (E)

4

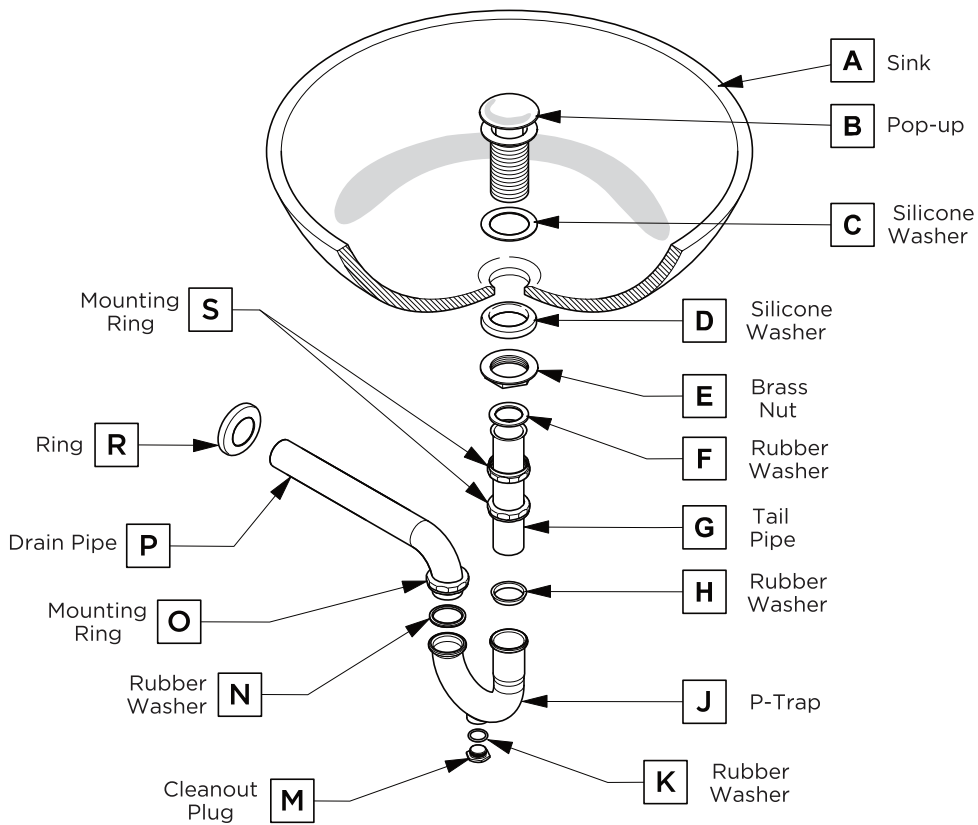
Install medicine cabinet (C)

IMPORTANT: Consult an expert for the proper screws/bolts to use when attaching to various wall constructions. Screws provided do not attach to all wall construction types.



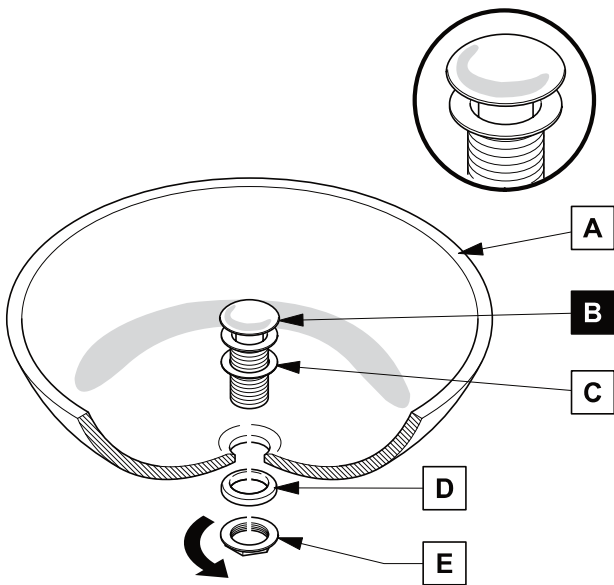
P-TRAP AND POP-UP INSTALLATION INSTRUCTIONS

Your item may appear slightly different from the illustration



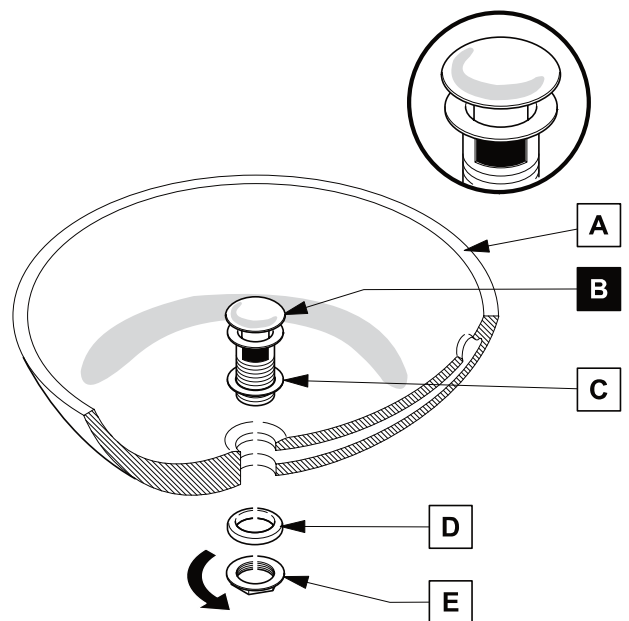
POP-UP INSTALLATION

FOR SINKS WITHOUT OVERFLOW



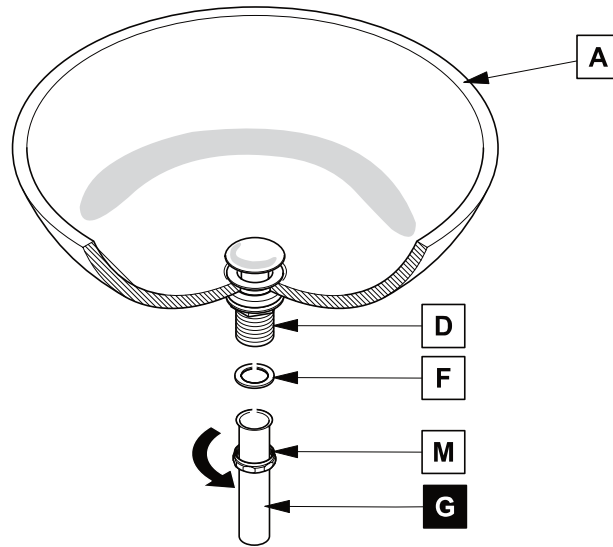
OR

FOR SINKS WITH OVERFLOW



P-TRAP INSTALLATION

1 Install tail pipe (G)



2 Install p-trap (J)

