



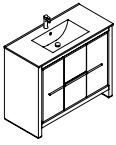
FVN8140

ALLIER

INSTALLATION GUIDE

CONTENTS:

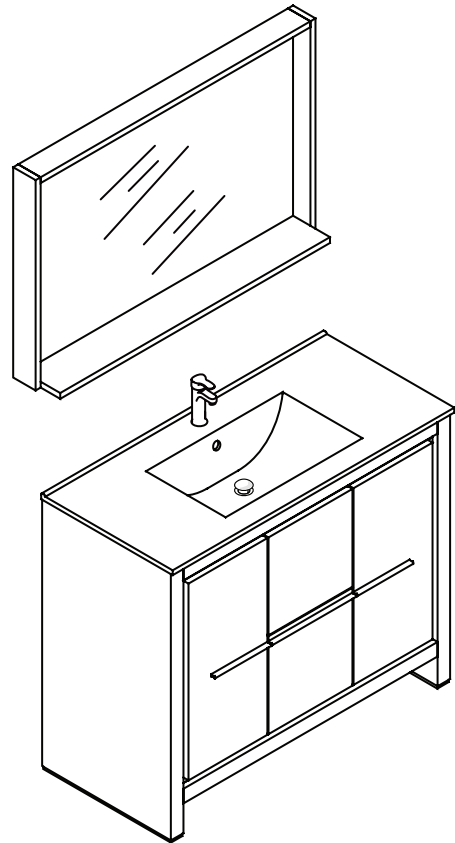
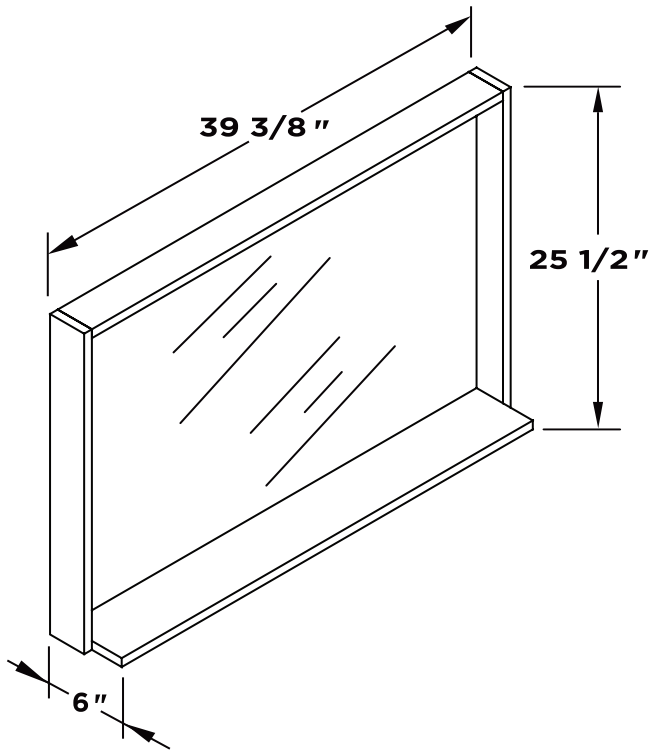
Cabinet	(FCB8140)	PAGE 3
Sink	(FVS8140)	PAGE 3
Mirror	(FMR8140)	PAGE 2



FVN8140 ALLIER INSTALLATION GUIDE

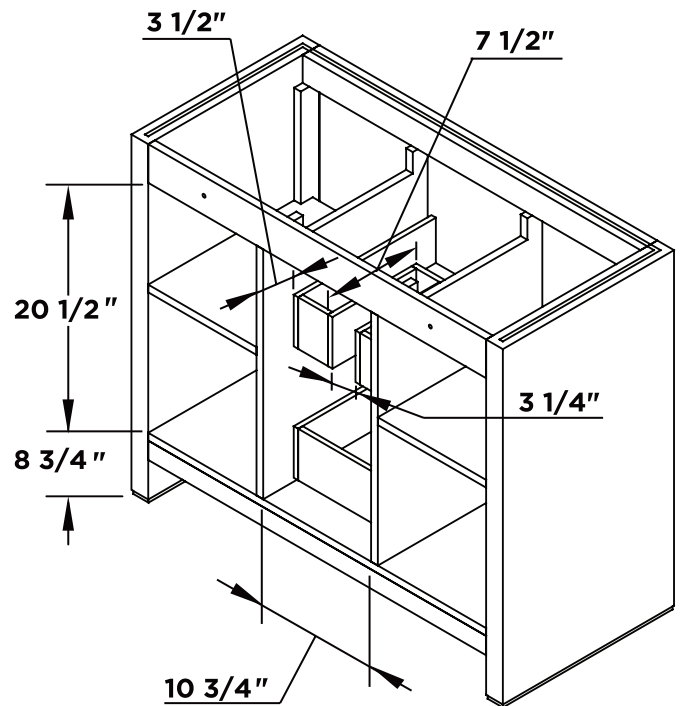
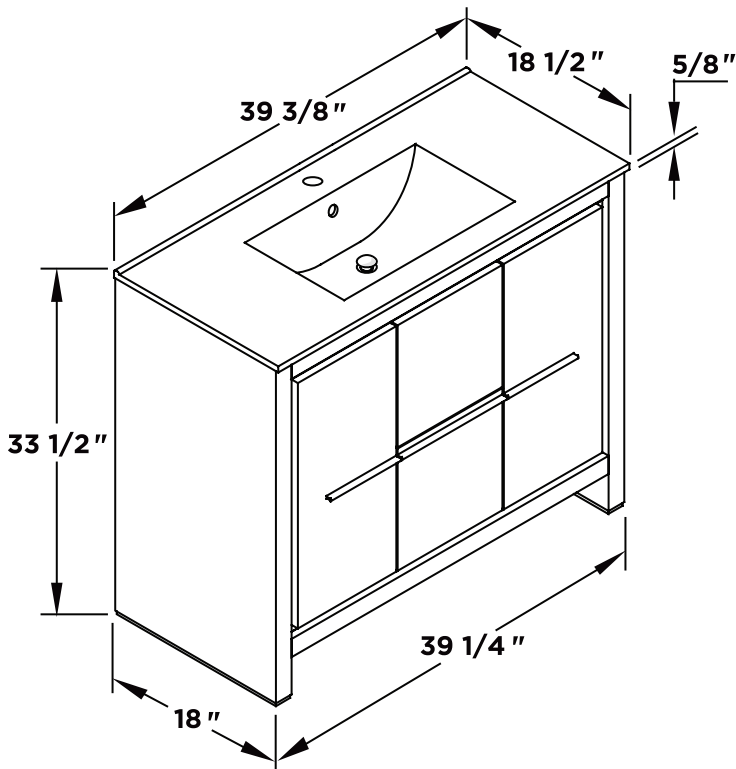


Mirror

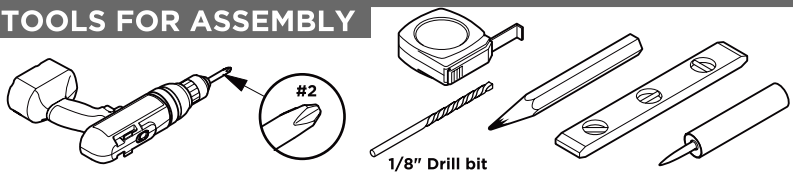


Vanity Front

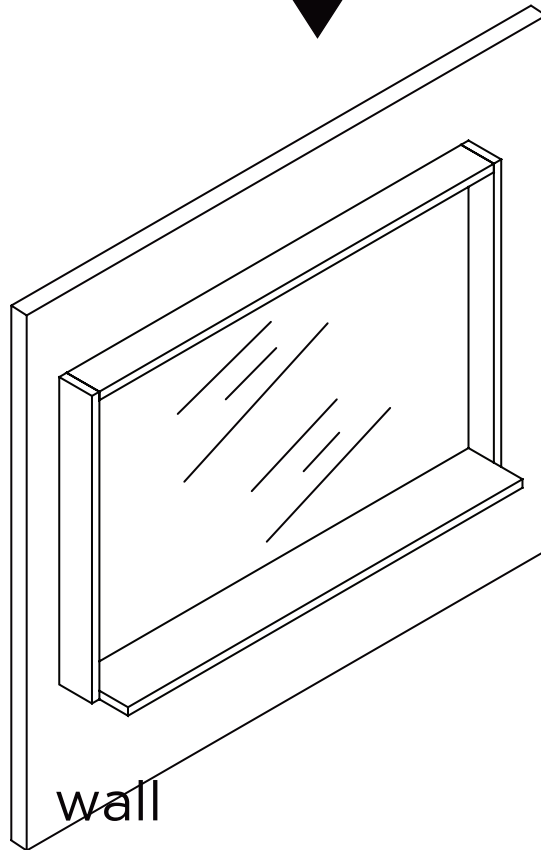
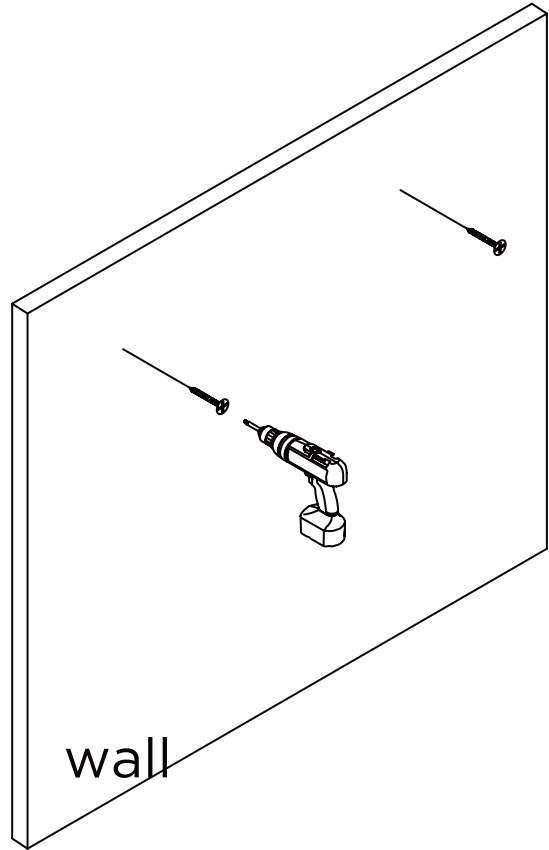
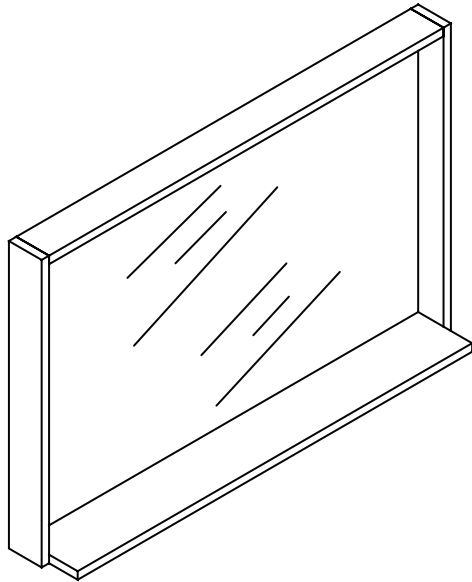
Vanity Back



TOOLS FOR ASSEMBLY

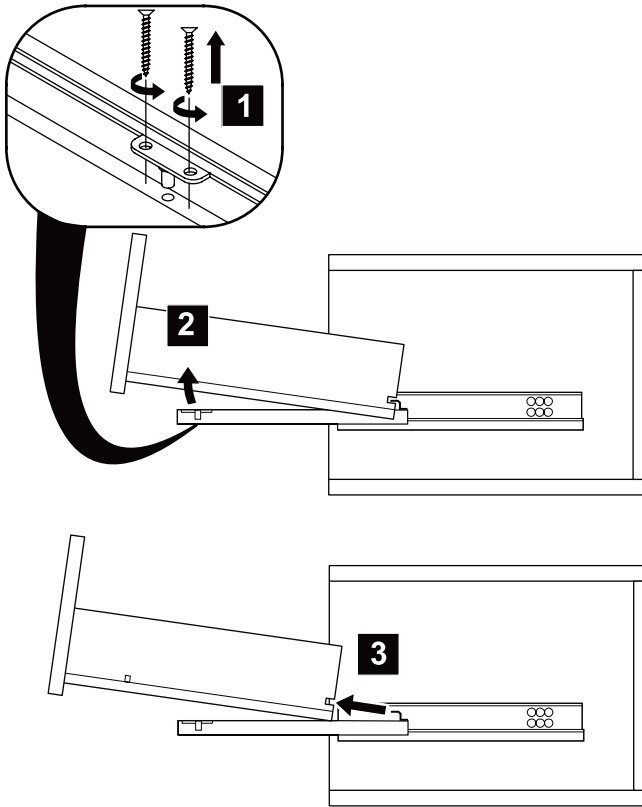


MIRROR INSTALLATION

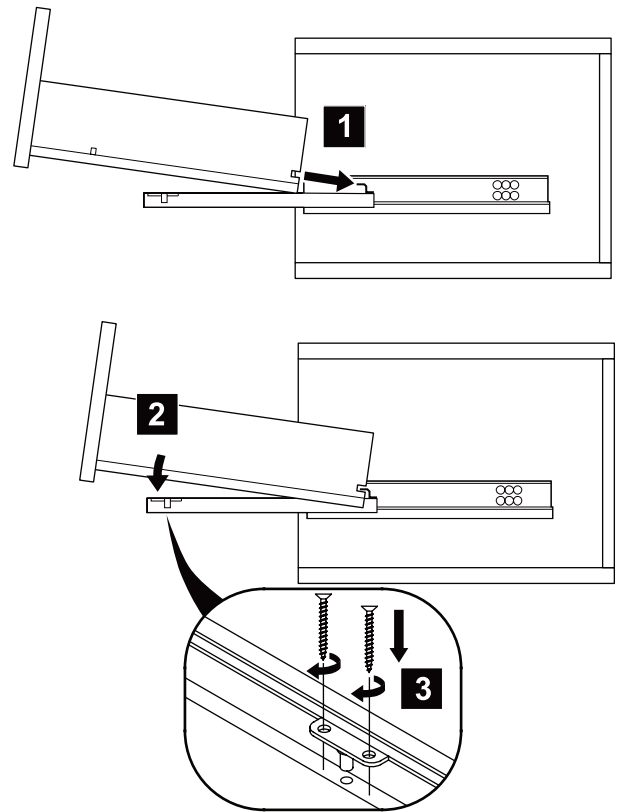


DRAWER REMOVAL & INSTALLATION

REMOVAL

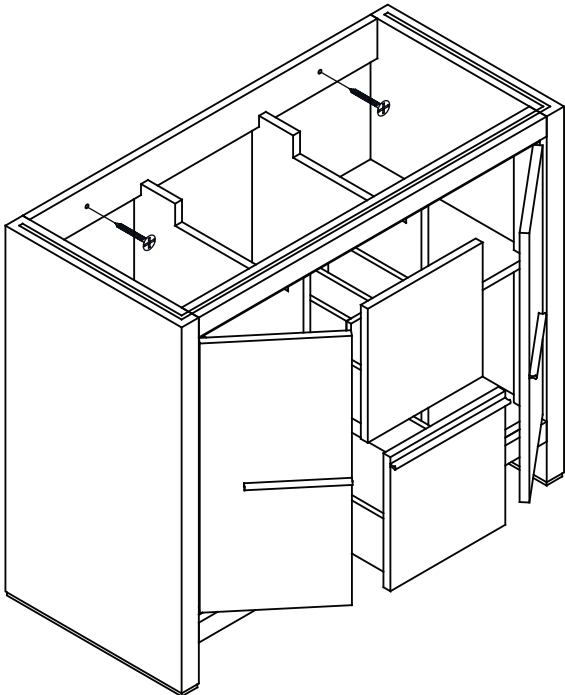


INSTALLATION

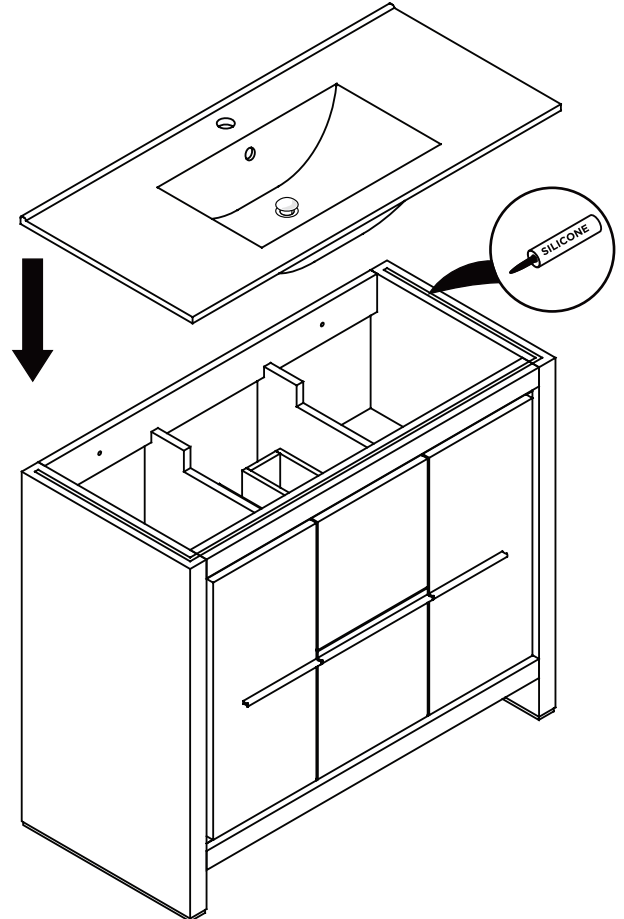


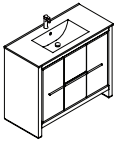
1 Remove drawer and open the door

IMPORTANT: Consult an expert for the proper screws/bolts to use when attaching to various wall constructions. Screws provided do not attach to all wall construction types.

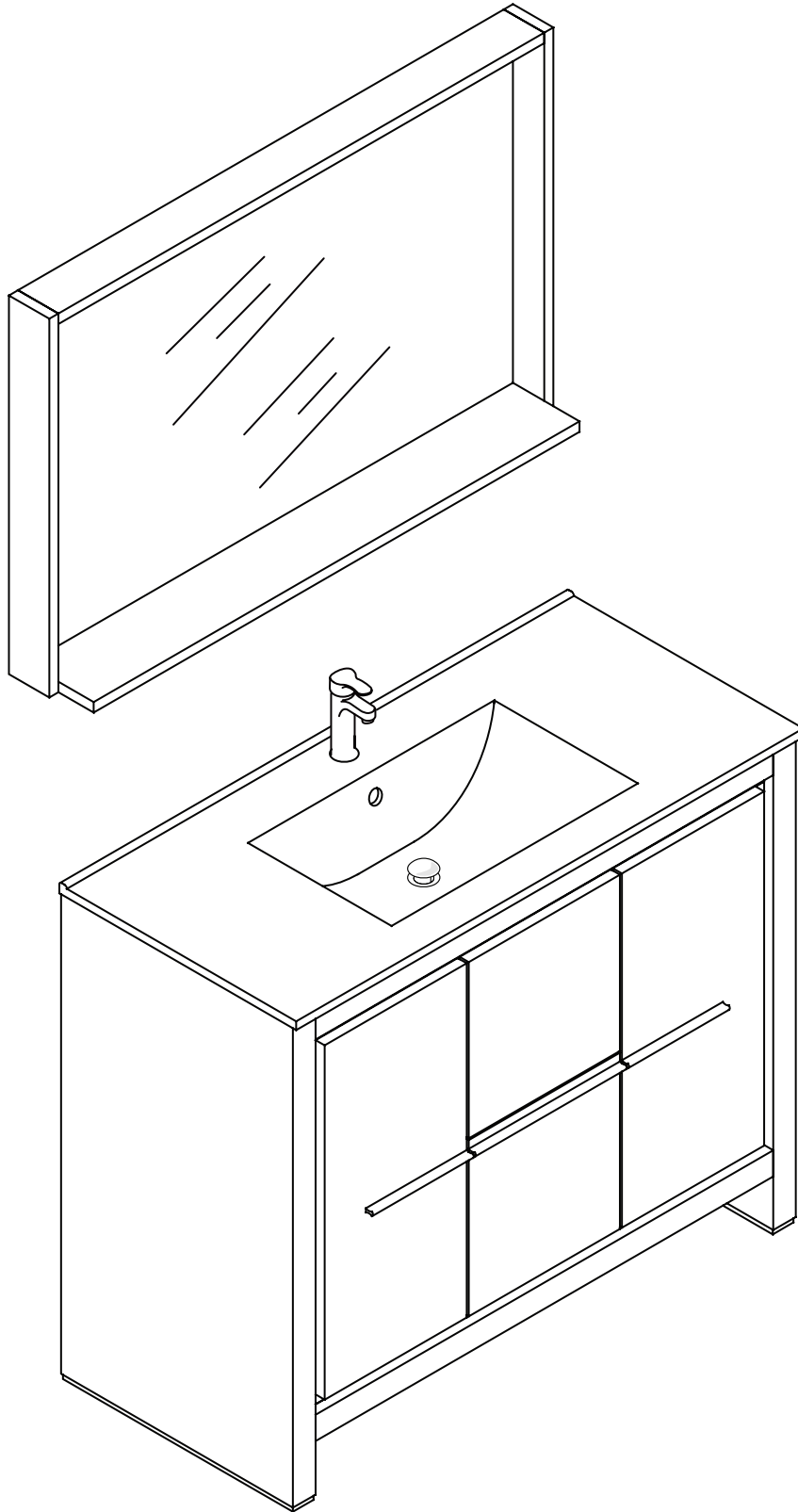


2 Install top panel





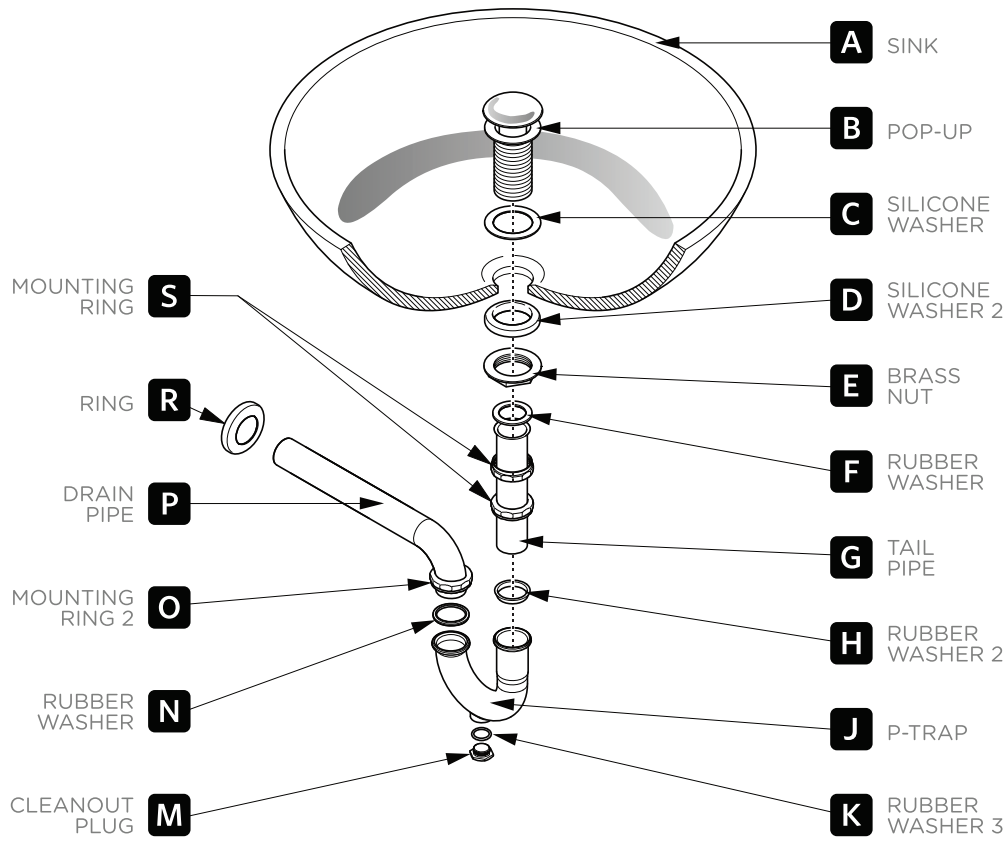
FVN8140 ALLIER INSTALLATION GUIDE



P-TRAP & POP-UP

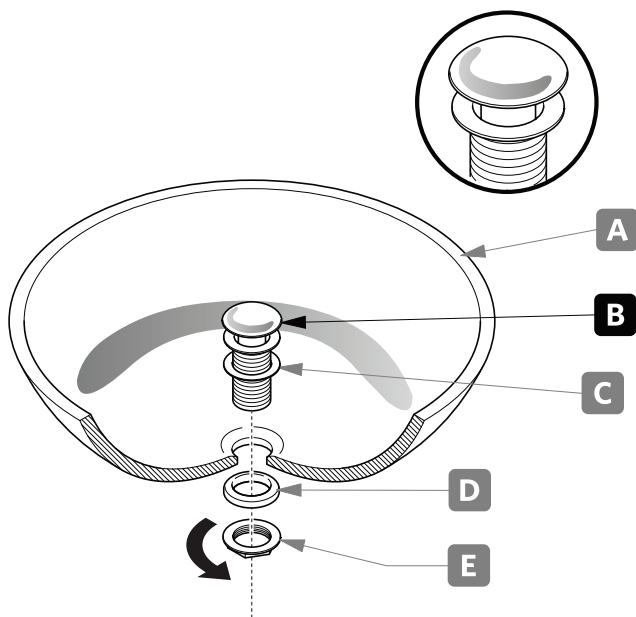
INSTALLATION INSTRUCTIONS

Your item may appear slightly different from the illustration.



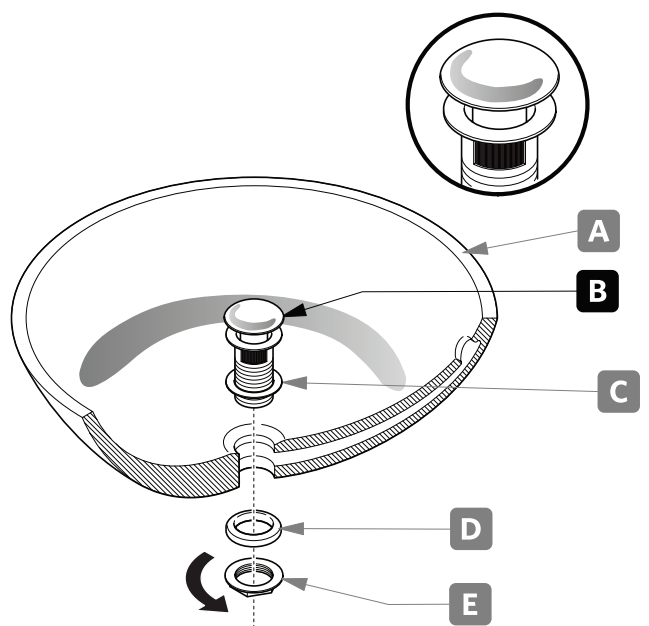
POP-UP INSTALLATION

FOR SINKS WITHOUT OVERFLOW



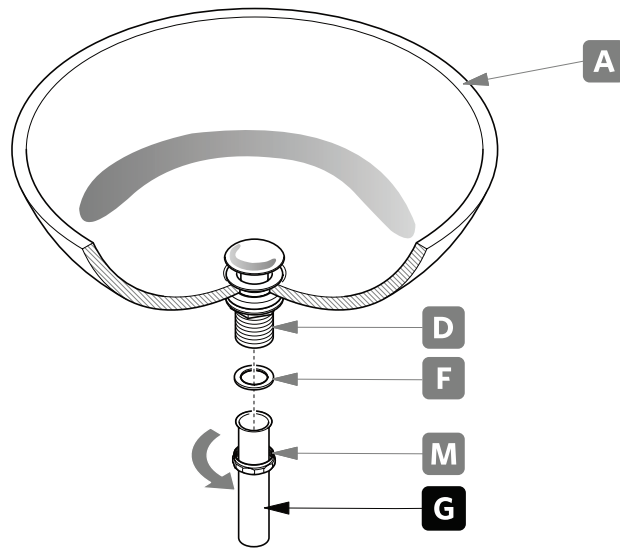
OR

FOR SINKS WITH OVERFLOW



P-TRAP INSTALLATION

1. Install tail pipe (**G**).



2. Install P-trap (**J**).

