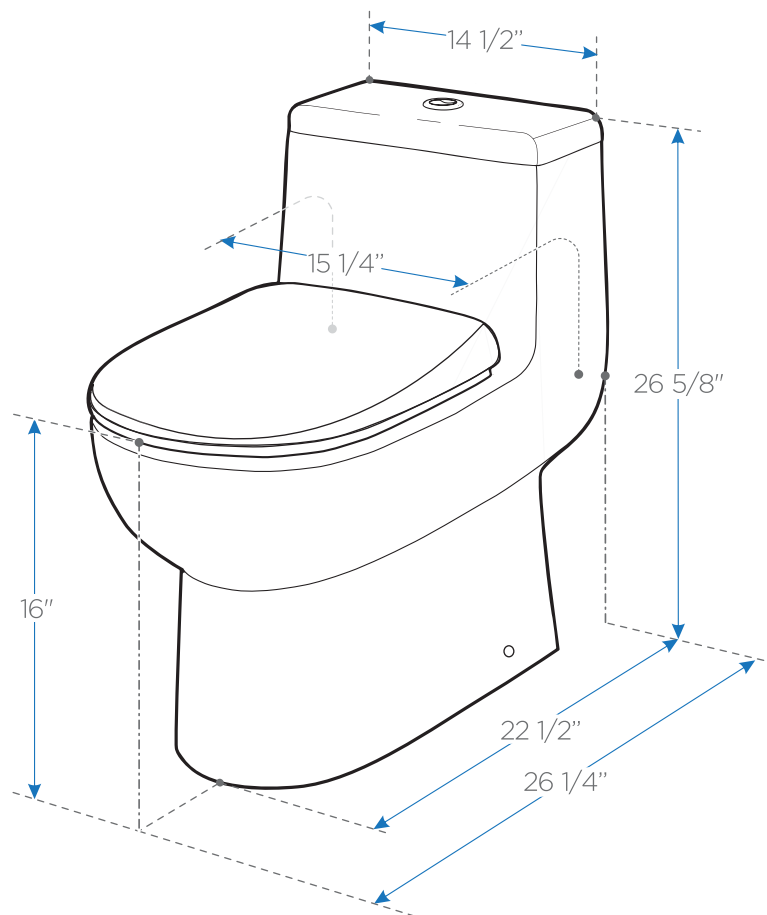


**Dimensions**







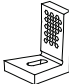

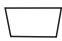
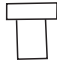

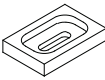
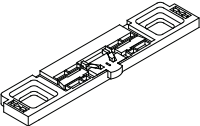
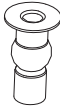


**Your item may appear slightly different from the illustration**

Note: All dimensions are specifications are approximate and subject to change without notice.

**Supplied Parts List**

Please unpack and inspect all packages and components carefully, make sure they are complete. Examine for shipping damage. If some parts are damaged or missing, notify your dealer immediately.

- |   |   |   |   |   |   |   |   |
|---|---|---|---|---|---|---|---|
|   |  |  |  |  |  |  |  |
| <b>A</b>  | <b>B</b>  | <b>C</b>  | <b>D</b>  | <b>E</b>  | <b>F</b>  | <b>G</b>  | <b>H</b>  |
| Toilet body<br>x1   | Toilet seat<br>x1   | Tank cover<br>x1  | Flange<br>x1  | Screw<br>x6   | Screw<br>x2   | Plastic bracket<br>x2   | Expansive<br>plastic plug<br>x6   |
|  |  |  |  |  |  |   |   |
| <b>I</b>  | <b>J</b>  | <b>K</b>  | <b>L</b>  | <b>M</b>  | <b>N</b>  |   |   |
| Decoration cap<br>x2  | Plastic cover<br>x2   | Bolt<br>x2  | Plastic gasket<br>x2  | Hinge base<br>x1  | Expansion rubber<br>x2  |   |   |

## Before Installation

1. Read the instruction carefully to be familiar with the tools, fittings and installation procedures to prevent any unnecessary damage.
2. Check the fittings follow the fitting form and check whether there is any damage of the product
3. Check whether the roughing-in on installing position is aligned with the one of product. Realize all the stipulates for pipelines preposing for water supply.
4. Because the ceramics is easy to be damaged, please handle it gently and the nut should not be overtightened.
5. The floor of installation position should be flat and hard.
6. If you want to change the water closet, please turn off water supply and flush the water closet to make sure no water remains inside the product. Remove the soft pipe for water supply, and unfasten screws. Then remove the water closet and the old gasket and clean the end of the outlet of drainage.

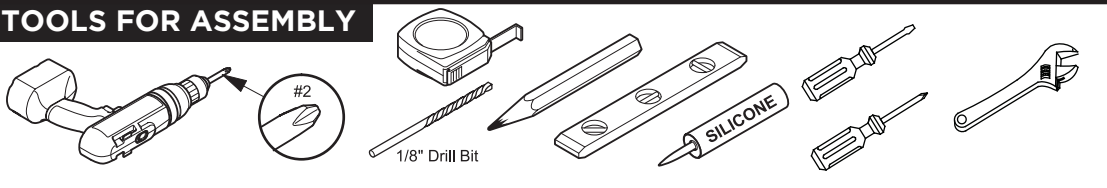
Note: Please plug the drainage outlet on the floor if you do not install the product at once.

7. Make sure the water supply has been turned off.

Note: 1. Refer to the newest information of the printed matter. We reserve the rights to change the features, packing and fittings of the products without notice.

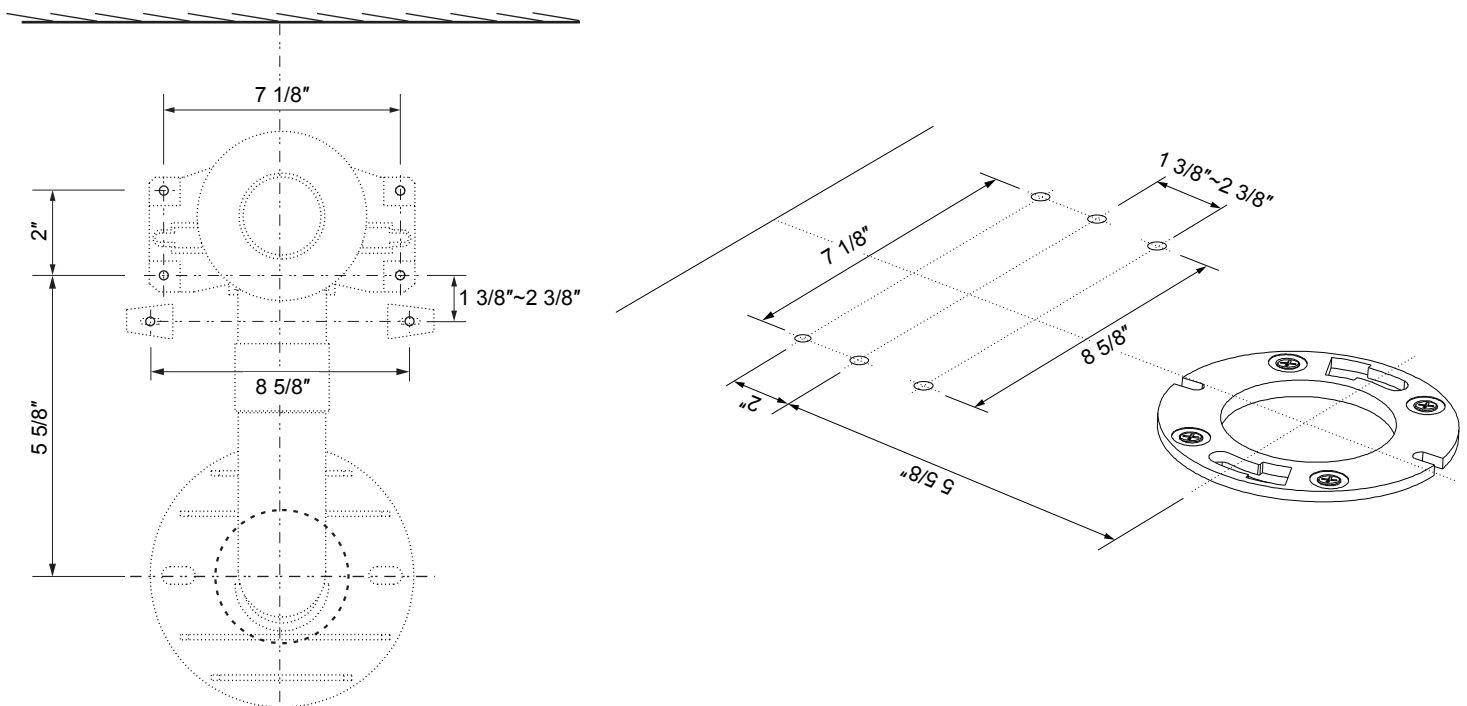
2. Please keep the installation instruction carefully (including installation procedure, fitting form, trouble shooting and notice.)

## TOOLS FOR ASSEMBLY



### 1. Mark installing holes

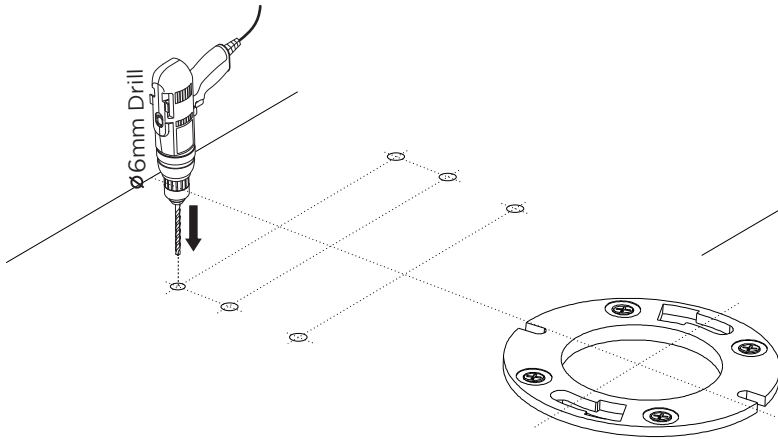
Mark the installing position for mounting screws and connecting pipe as illustrated (drawing for distance of installing holes).



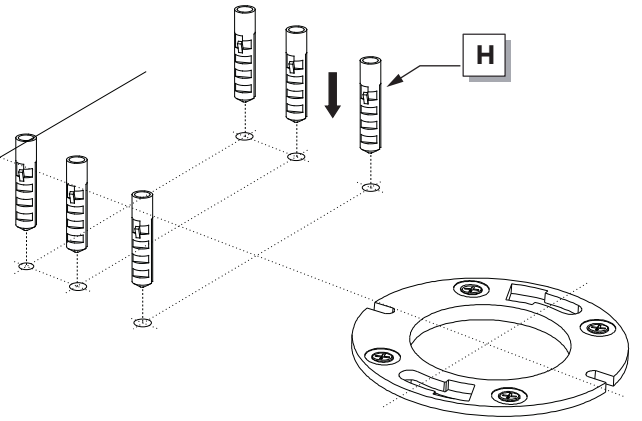
Drawing for distance of installing holes

## 2. Install the connect pipe

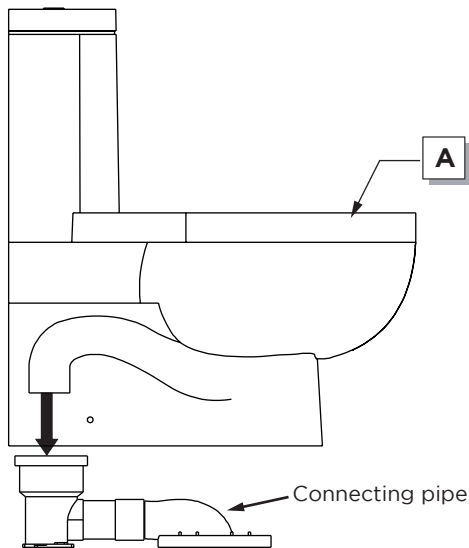
**a** Drill installing holes.



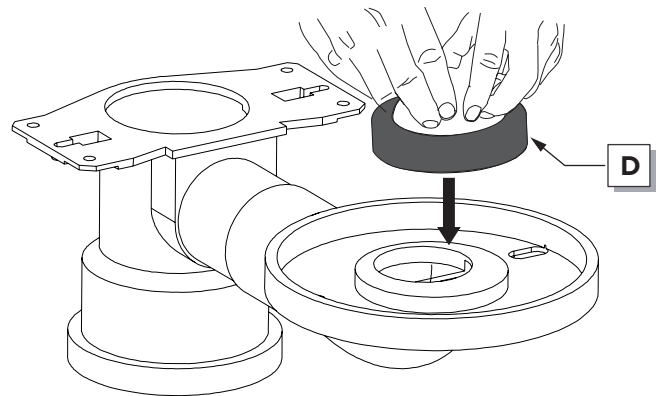
**b** Insert the expansible plastic plugs(H).



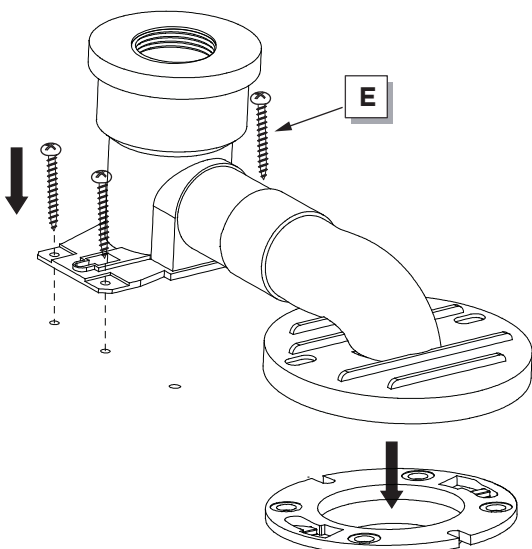
**c** Take off the connecting pipe from the bottom of toilet body(A).



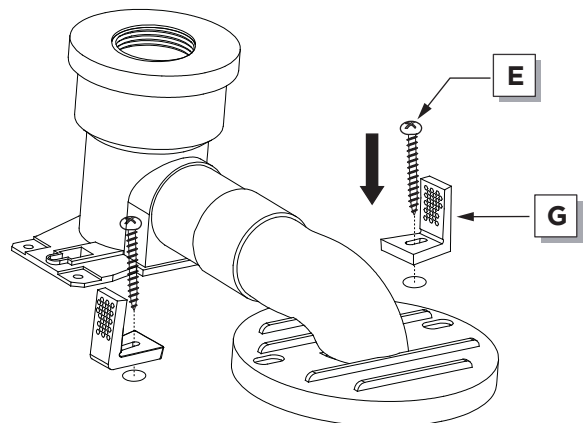
**c** Make the bottom of connecting pipe up towards, then cover the flange(D) onto water outlet tightly. Make sure the pipe is not plugged.



**d** Adjust the screws(E) to get the four holes on the back side of connecting pipe aligned with expansible plastic plugs on the floor. Fix the connecting pipe as illustrated.



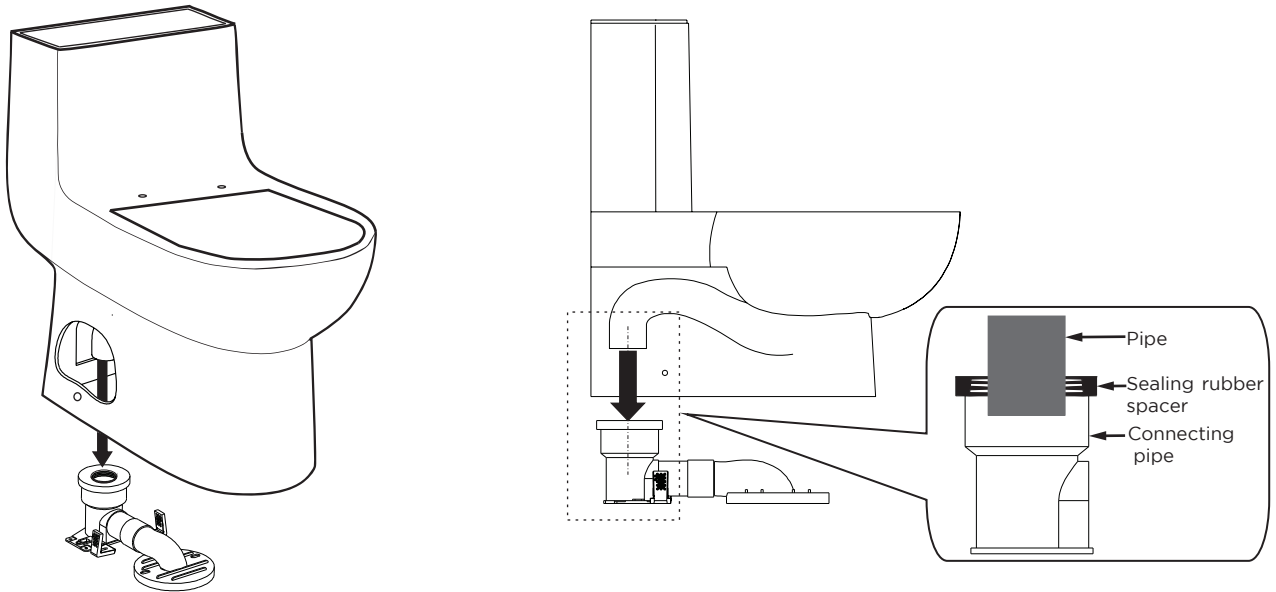
**e** Fix the plastic brackets(G) by screws(E).



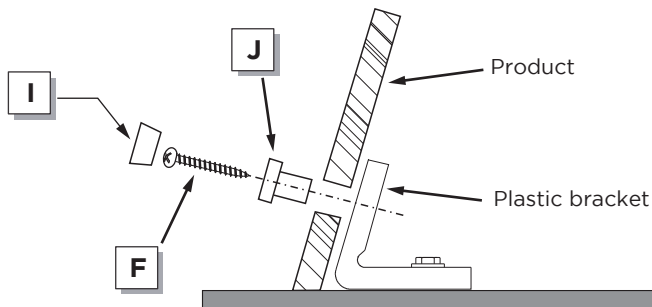
### 3. Install toilet body

- a** Put up the water closet and make sure the two pieces of mounting screws are all through the installing holes of water closet. Get the centre line of water closet aligned with the centre line on the floor and then put down the water closet gently.

Note: Make sure the pipe is through the 4 layers of sealing rubber spacer of connecting pipe after installing the product. Otherwise it will have bad effect for flushing function.

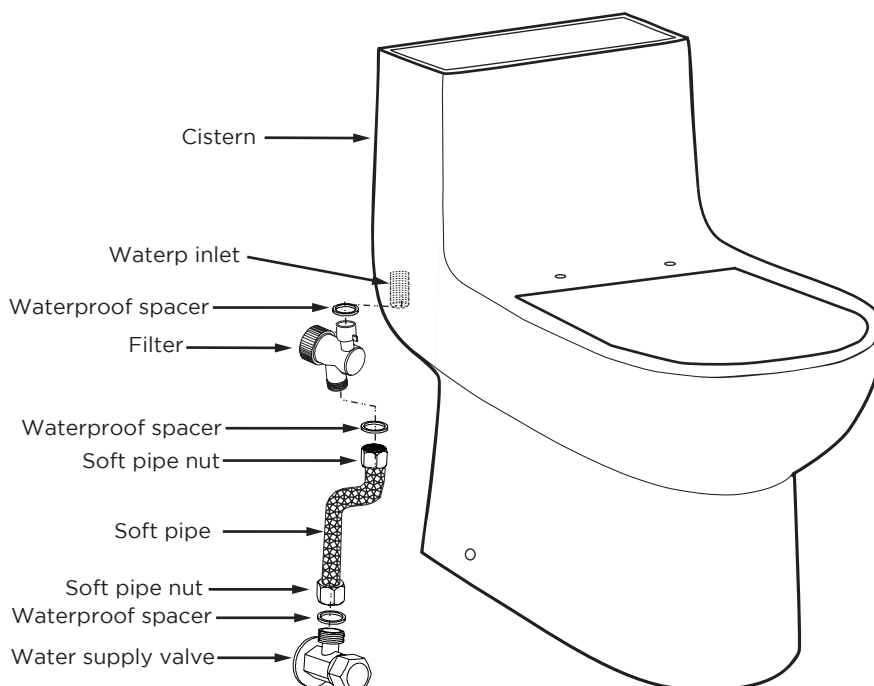


- b** Fix the product on the floor with screws (**F**) and plastic covers (**J**), then cover the decoration caps (**I**).



### 4. Connect water supply pipe and check sealing performance

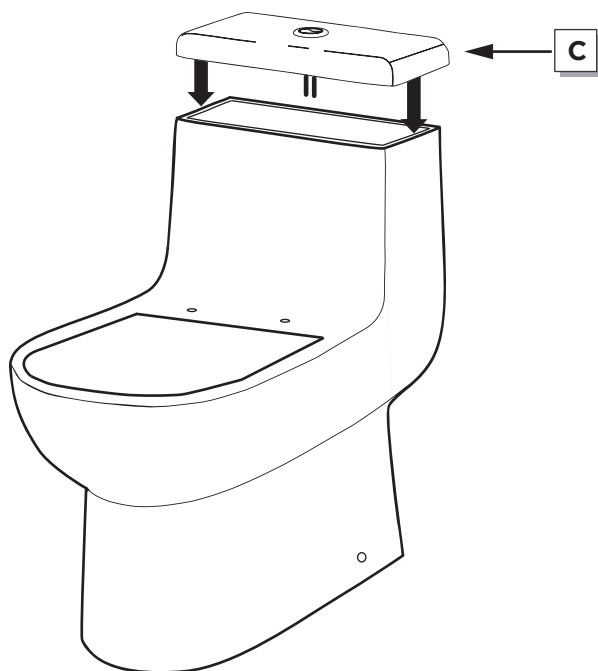
- a** Get the water supply valve and the water inlet with soft connecting pipe. ( If the fitting is separated filter, please connect filter first) Turn on the water supply valve and make sure there is no leakage for every joint. Fasten the nuts a little can prevent leakage.



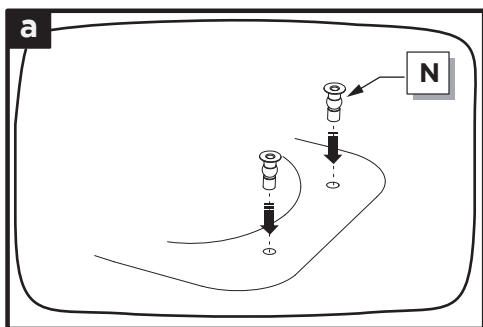
## 5. Put on the tank cover and test the flush mechanism

**a** Put on the tank cover(C) gently.

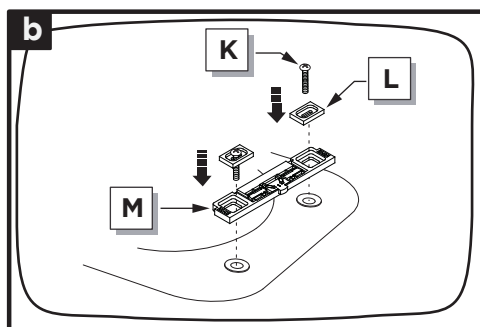
**b** Test the flush mechanism.



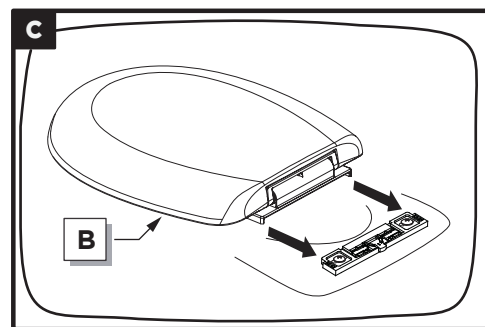
## 6. Mount the toilet seat



Insert the expansion rubbers(N) into the installation hole.

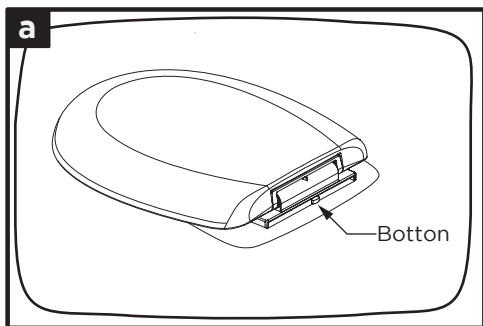


Put the plastic gaskets(L) and bolts(K) through the hinge base(M) making them aligned with the holes of bulgy rubber and fasten it.

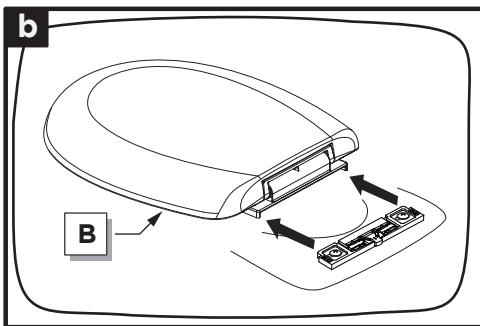


Insert the toilet seat(B) into hinge base by track.

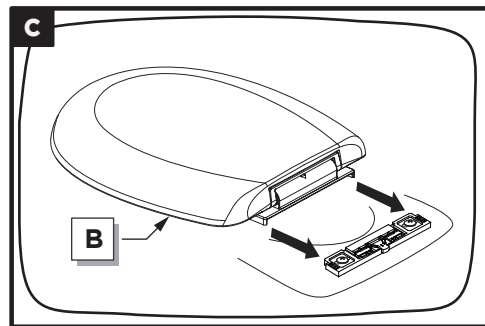
Replace a new toilet seat please refer to below illustrated.



Press the button and loose your hand until you hear a click.



Take away the toilet seat(B).



Insert the new toilet seat(B) into hinge base by track.

## 7. Install toilet

Install the water closet seat according to the installation instruction, then daub a layer of silicone between the product and floor.

Note: Do not use the product immediately after finishing installing. Make sure there is no water around the product about 24 hours.

