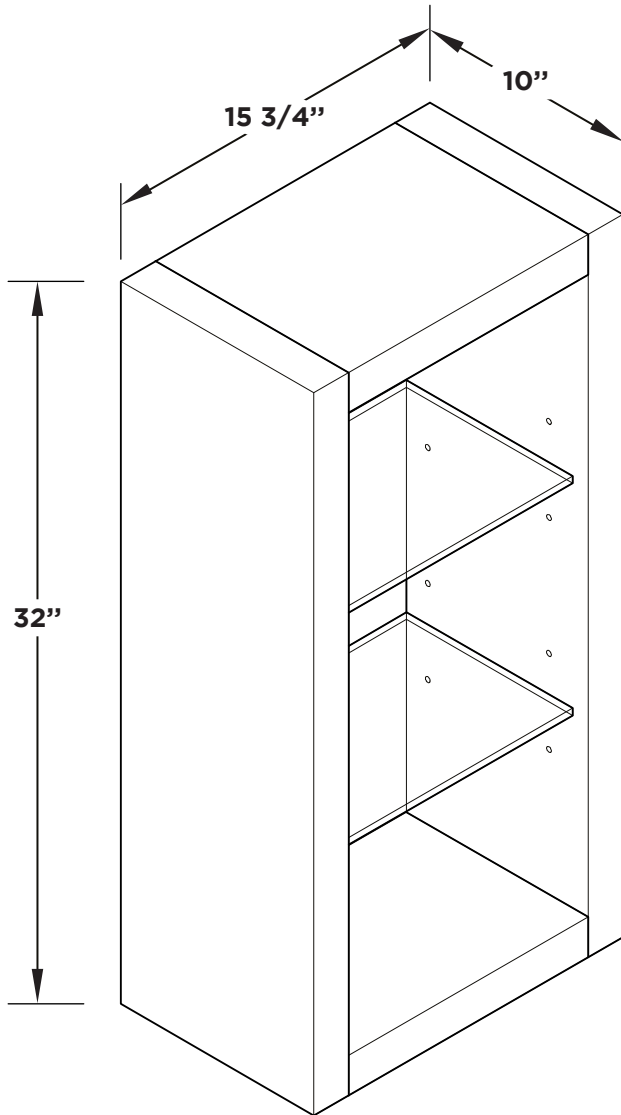


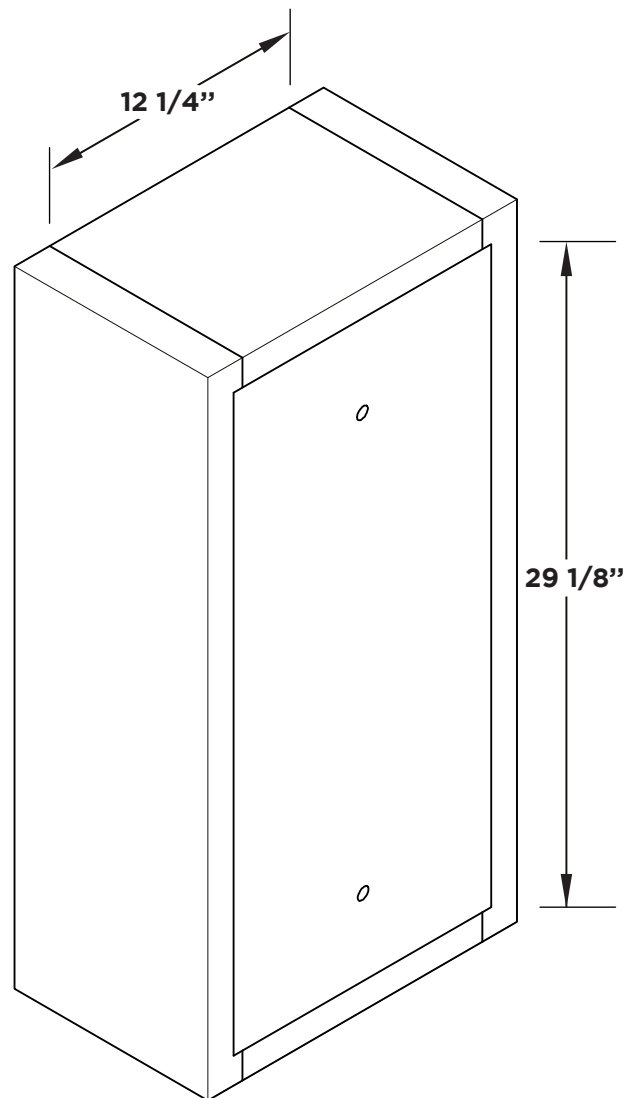
**FST8130**  
**SIDE CABINET**  
**INSTALLATION GUIDE**



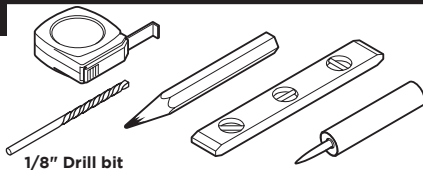
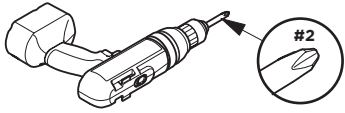
Cabinet Front



Cabinet Back



## TOOLS FOR ASSEMBLY



1/8" Drill bit

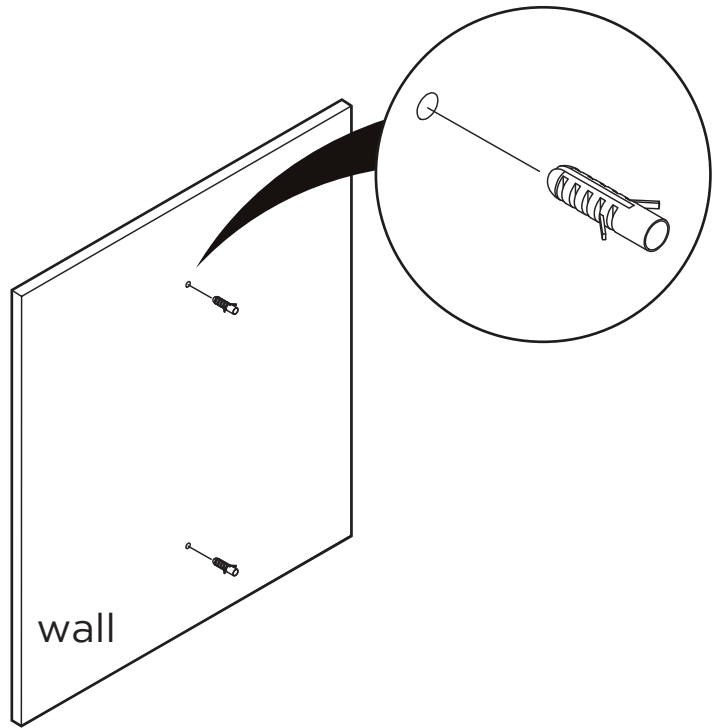
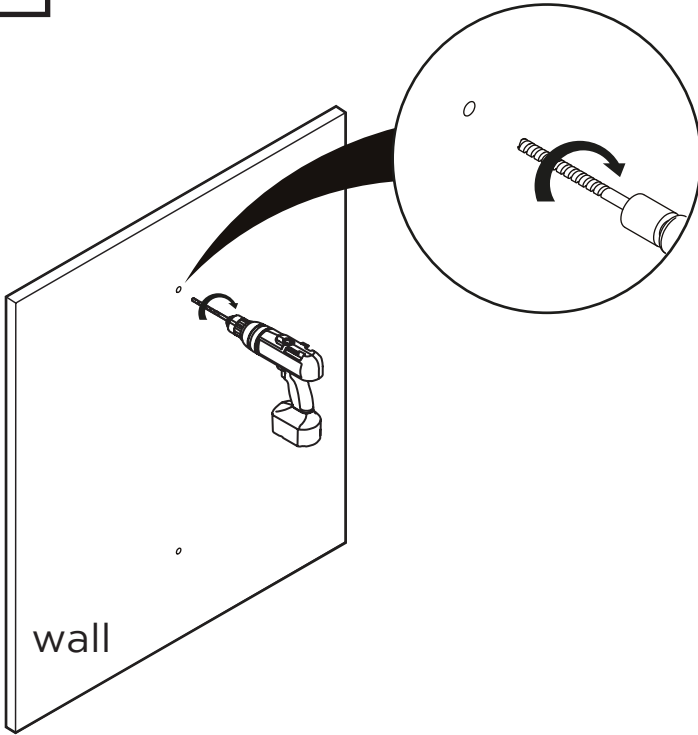
## 2

Insert the dowels

**IMPORTANT:** Consult an expert for the proper screws/bolts to use when attaching to various wall constructions. Screws provided do not attach to all wall construction types.

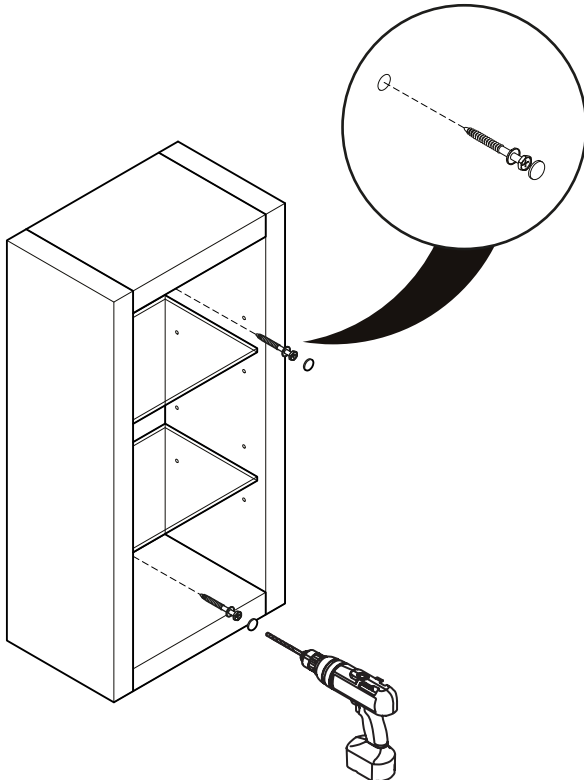
## 1

Drill holes



## 3

Install cabinet



FINAL  
PRODUCT  
**FST8130**

