

8002 010

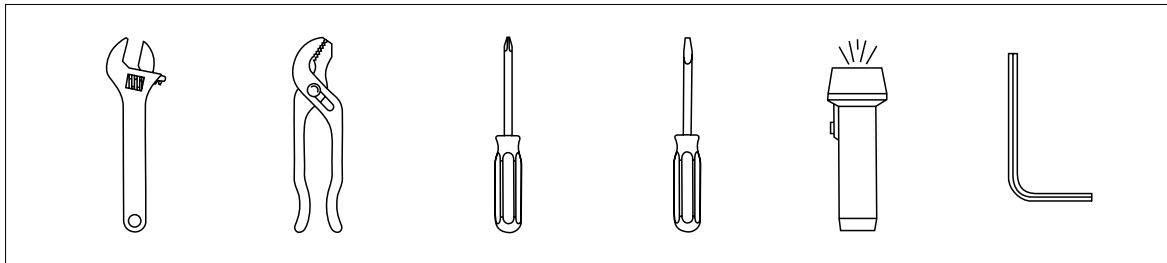
Single Handle Pull-Down Kitchen Faucet INSTALLATION GUIDE

DOWELL

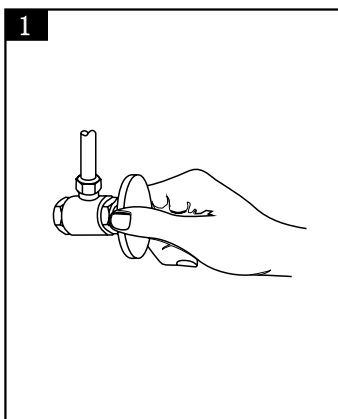
IMPORTANT NOTICES: For easy installation, please read all the instructions completely before beginning. Before installing this product, make sure that water line trash is cleared to avoid blockage.

WARNING: Assembly by a professional plumber is required.

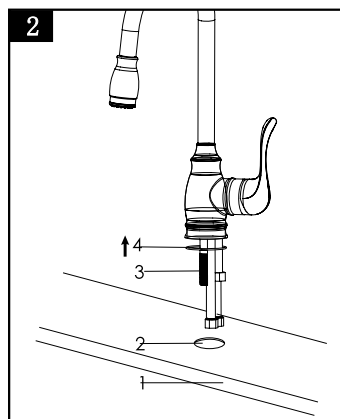
YOU MAY NEED



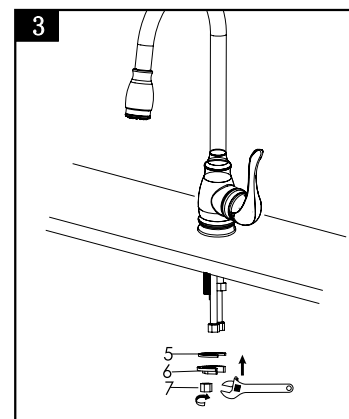
INSTALLATION PROCEDURES



1 You should clean all the dirt from valve outlets. Turning off the water supply valves. This is usually found near the water meter. If you are replacing an existing faucet, remove the faucet from the sink and clean the sink surface thoroughly.



2 Drill a $\varnothing 1-3/8''$ to $\varnothing 1-1/2''$ hole (2) in sink (1). Install the thread tube (3) and screw them firmly. Put O-ring (4) into base groove and then insert them through the hole (2).

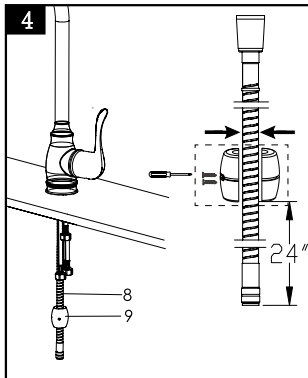


3 Put all hose through the C Rubber washer (5) then through the C metal Washer (6), finally screw the nut fitting (7).

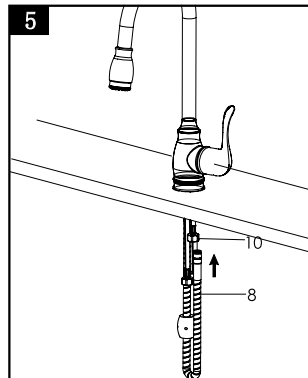
8002 010

Single Handle Pull-Down Kitchen Faucet INSTALLATION GUIDE

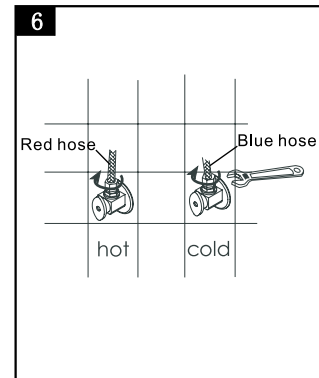
DOWELL



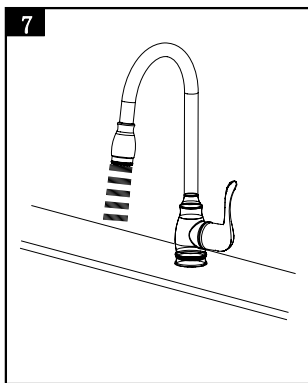
Fix the weight balance (9) on the suitable position of the sprayer flexible hose (8) to keep the pulling smoothly. The distance from the end of the outlet hose to the weight balance should be 24".



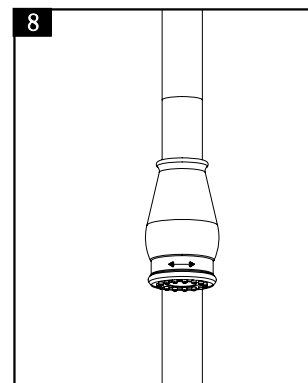
Connect the hose (8) with outlet house (10).



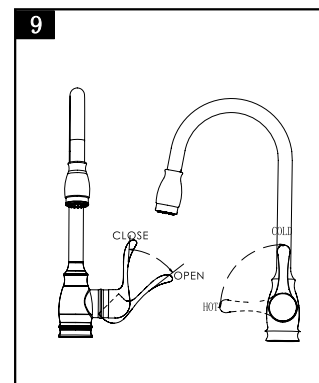
Water-supplying value (left to hot water and right to cold)



Check every joint to make sure it has been connected well. Open the pop-up and then turn on the water to check the leakage.



Turning the front part of the sprayer to switch for different functions: Saturating spray & Bubbling spray.



Pull the handle rightward in horizontal to turn on the faucet, Leftward in horizontal line to turn off. Move the hand counter clockwise from cold the hot.

CAUTION: Maintenance

1. Replacement parts may be available at the store where you purchased your faucet .
2. Always turn off water and relieve pressure working before on your faucet.

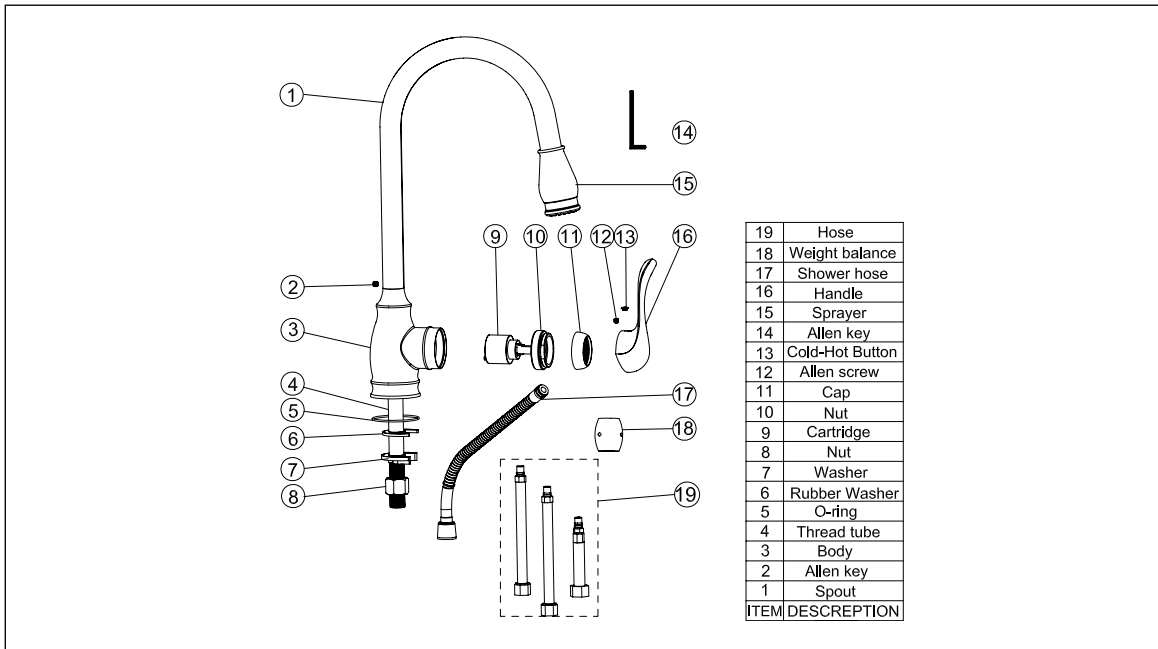
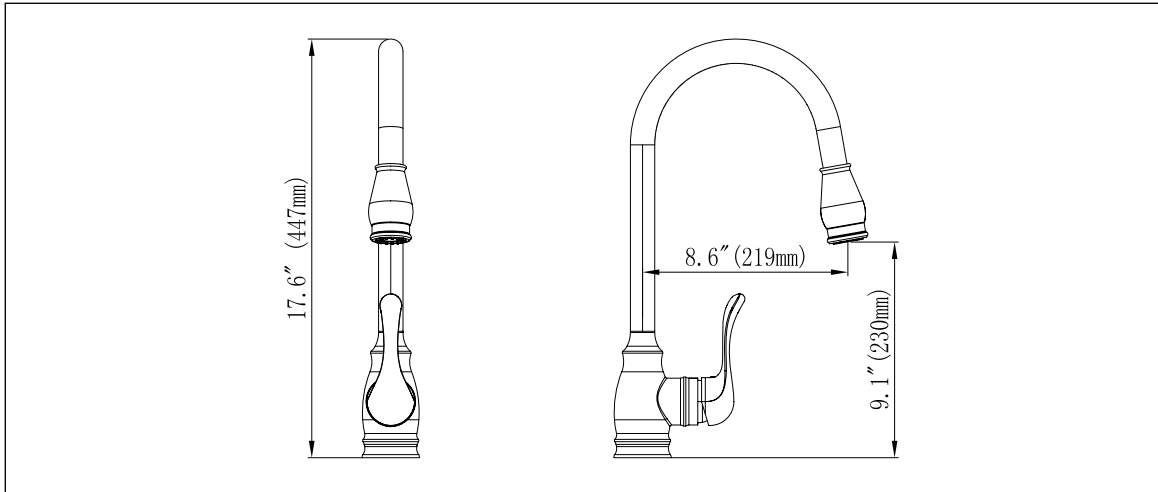
NOTES: Cleaning Instructions

1. To keep the faucet clean you should clean the faucet frequently.
2. Clean the faucet with clear water or mild , then dry the faucet with soft cotton cloths.
3. Do not use any abrasive cleansers cloths , or paper towel.
4. Do not use any acid or abrasive detergent.

8002 010

Single Handle Pull-Down Kitchen Faucet
INSTALLATION GUIDE

DOWELL



TROUBLE-SHOOTING

If you've followed the instruction carefully and your faucet still does not work properly, take these corrective steps.

Problem	Cause	Action
Leaks underneath handle.	Cartridge has come loose.	Tighten the cartridge.
Aerator leaks or has an inconsistent water flow pattern.	Aerator is dirty or worn out or misfitted.	Unscrew the aerator to clean or replace washer, or replace the aerator.
Water will not shut off completely.	Dirty or worn out washer in cartridge.	Remove handle and cartridge to check if the washer is damaged permanently or dirty. Re-install cartridge .