

DOWELL

Installation instructions

8001 017 01/10/20

8001 018 01/10/20

Operating conditions

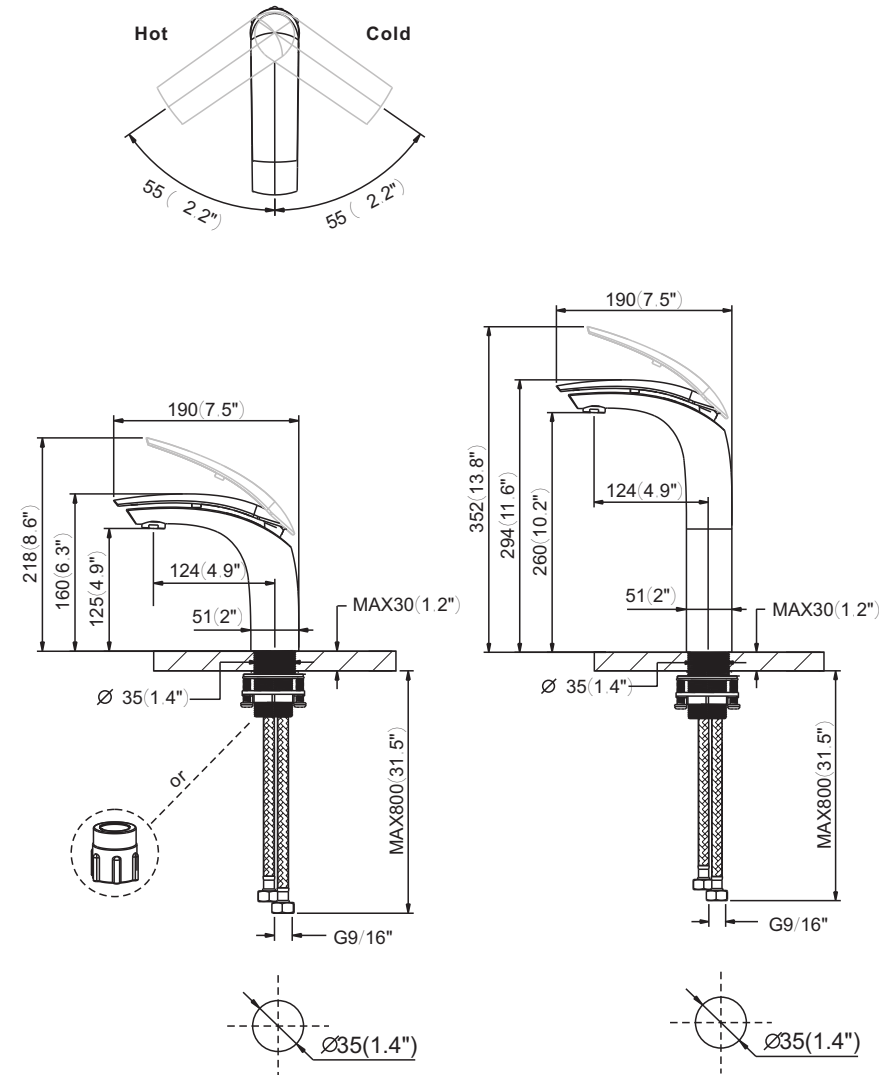
Recommended flow temperature	≤ 65 C
Maximum flow temperature momentary	≤ 90 C
Minimum flow pressure	1 bar
Maximum flow pressure	5 bar
Recommended operating pressure	3 bar
Test pressure	16 bar

Notes

Before installing the valves, clean the water pipe thoroughly to avoid dirt and deposits

Technical data

unit : mm (inch)



Installation checkout

Ensure that all coupling nuts are tight. Ensure that the handle is in the off position.

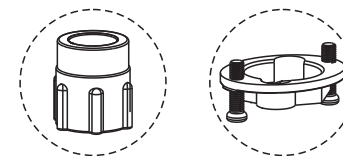
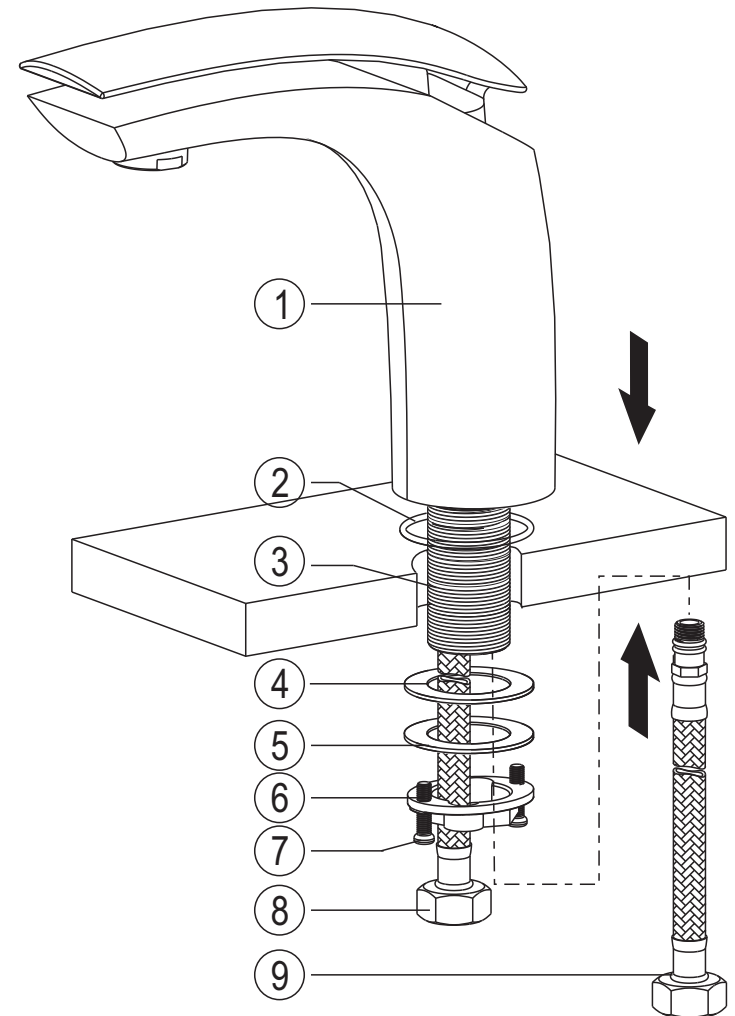
Turn on the drain and main water supply, and check for leaks. Repair as needed.

Cleaning instructions

All Finishes: Clean the finish with mild soap and warm water. Wipe entire surface completely dry with clean softcloth. Many cleaners may contain chemicals, such as ammonia, chlorine, toilet cleaner etc, which could adversely affect the finish and are not recommended for cleaning

Do not use abrasive cleaners or solvents on faucets and fittings.

1. Screw flexible hoses (8) under the body (1)
2. Insert O-ring washer (2) under base angle (1)
3. Insert threaded rod (3) under body (1)
4. Screw flexible hoses (9) under the body (1)
5. Insert washer (4) and SS304 washer (5) through threaded rod (3)
6. Screw hexagonal lock nut (6) on to threaded rod (3) and tighten.
7. Screw the nut (6) with screws (7) to fix the faucet body (1)



or