

8001 012

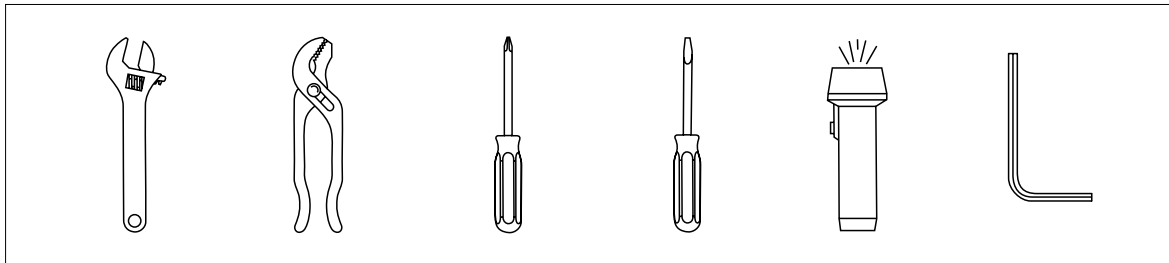
Vessel Lavatory Faucet INSTALLATION GUIDE

DOWELL

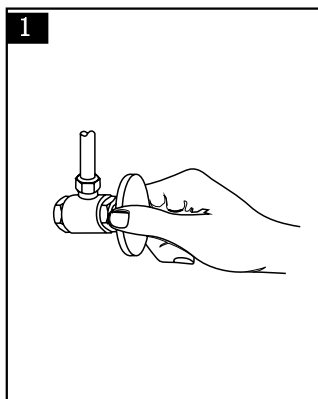
IMPORTANT NOTICES: For easy installation, please read all the instructions completely before beginning. Before installing this product, make sure that water line trash is cleared to avoid blockage.

WARNING: Assembly by a professional plumber is required.

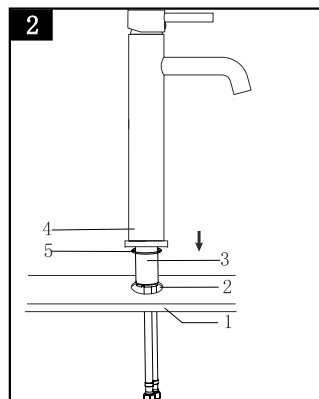
YOU MAY NEED



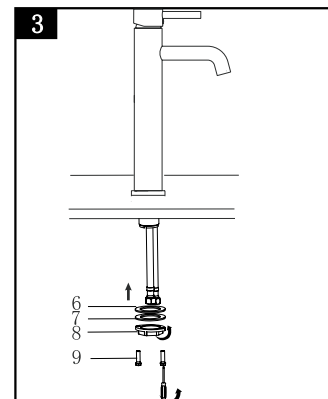
INSTALLATION PROCEDURES



1 You should clean all the dirt from valve outlets. Turning off the water supply valves. This is usually found near the water meter. If you are replacing an existing faucet, remove the faucet from the sink and clean the sink surface thoroughly.



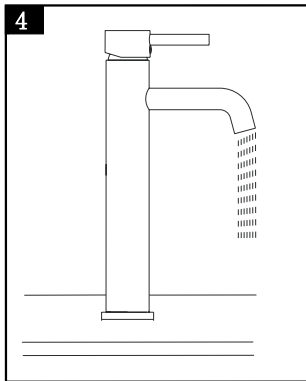
2 Drill a $\varnothing 1-3/8\varnothing$ to 1-1/2 hole (2) in sink (1). Install the shank (3) into the faucet body (4). And screw them firmly. Then put O-ring (5) into base groove and insert them through the hole (2).



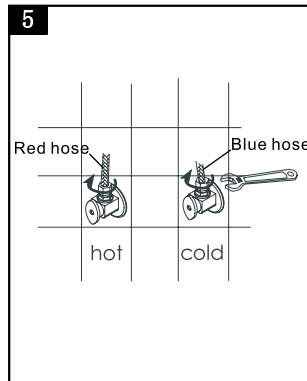
3 Adjust the faucet to the right position and put on the rubber gasket (7) and the metal washer (8) and lock nut (9), wrench them up tightly.

8001 012
Vessel Lavatory Faucet
INSTALLATION GUIDE

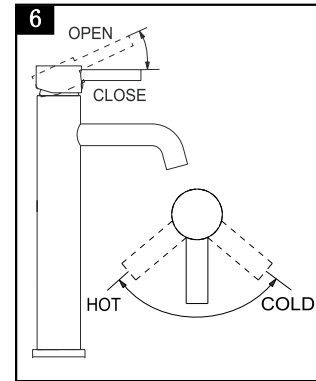
DOWELL



Check every joint to make sure it has been connected well. Open the pop-up then turn on the water to check the leakage.



Connect the flexible hoses to the Water-supplying value (left to hot water and right to cold)



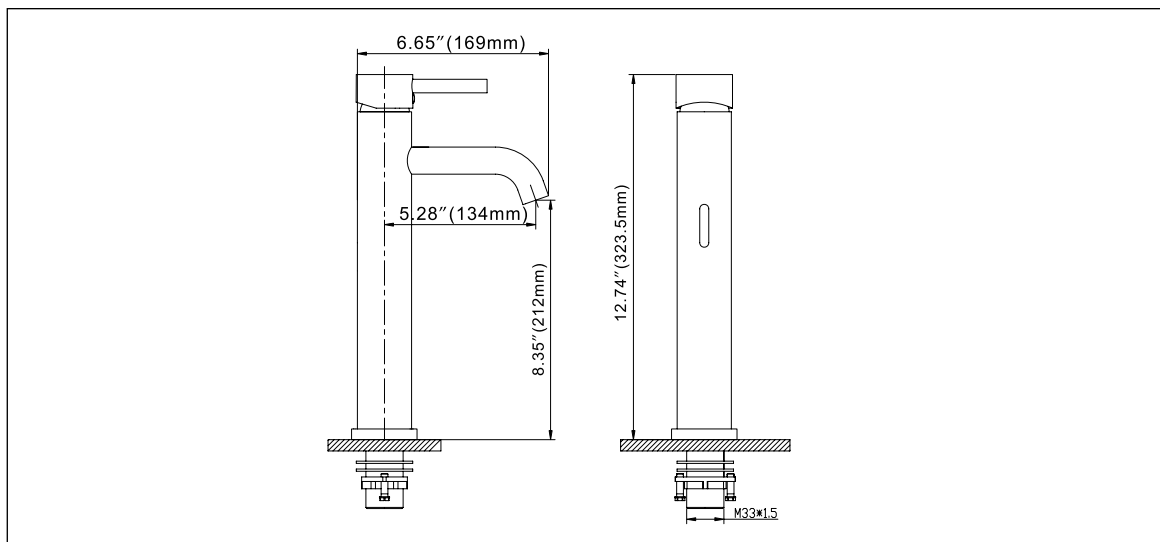
Pull the handle upward in horizontal to turn on the faucet, downward in horizontal line to turn off . Face the spout, move the handle leftward to control hot water and rightward to control cold water.

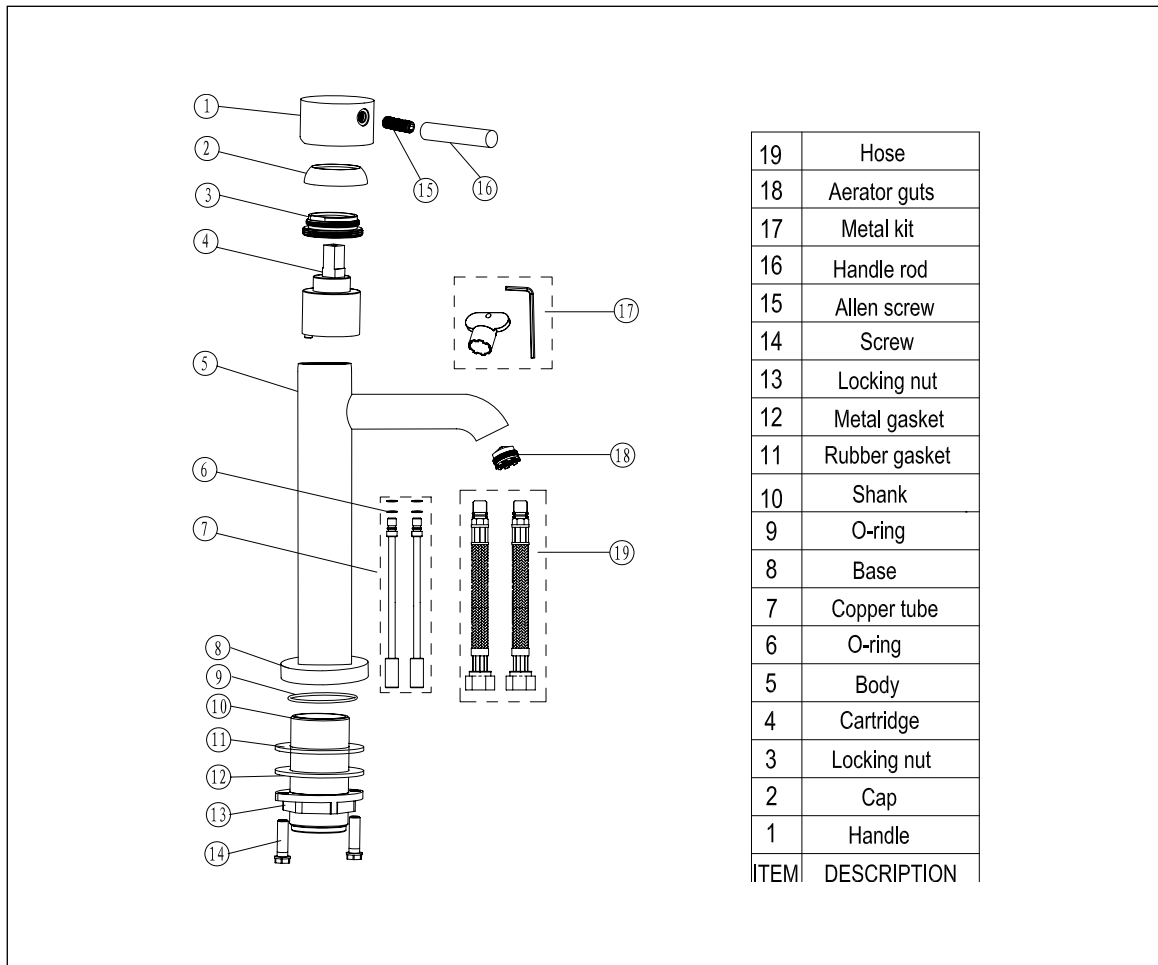
CAUTION: Maintenance

- 1.Replacement parts may be available at the store where you purchased your faucet .
- 2.Always turn off water and relieve pressure working before on your faucet.

NOTES: Cleaning Instructions

- 1.To keep the faucet clean you should clean the faucet frequently.
- 2.Clean the faucet with clear water or mild ,then dry the faucet with soft cotton cloths.
- 3.Do not use any abrasive cleansers cloths ,or paper towel.
- 4.Do not use any acid or abrasive detergent.





TROUBLE-SHOOTING

If you've followed the instruction carefully and your faucet still does not work properly, take these corrective steps.

Problem	Cause	Action
Leaks underneath handle.	Cartridge has come loose.	Tighten the cartridge.
Aerator leaks or has an inconsistent water flow pattern.	Aerator is dirty or worn out or misfitted.	Unscrew the aerator to clean or replace washer, or replace the aerator.
Water will not shut off completely.	Dirty or worn out washer in cartridge.	Remove handle and cartridge to check if the washer is damaged permanently or dirty. Re-install cartridge .