

8001 003

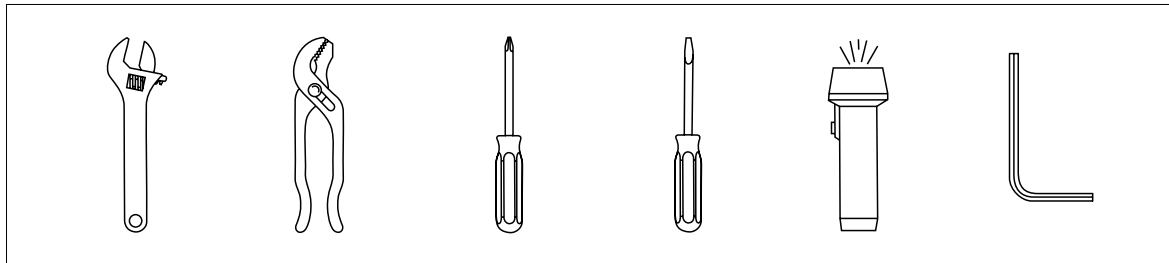
Two Handle Lavatory Faucet INSTALLATION GUIDE

DOWELL

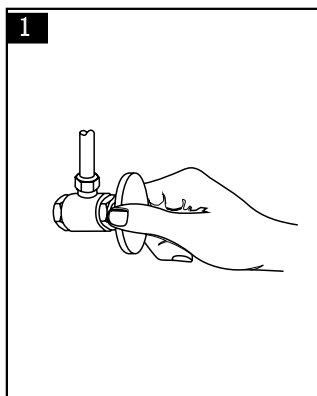
IMPORTANT NOTICES: For easy installation, please read all the instructions completely before beginning. Before installing this product, make sure that water line trash is cleared to avoid blockage.

WARNING: Assembly by a professional plumber is required.

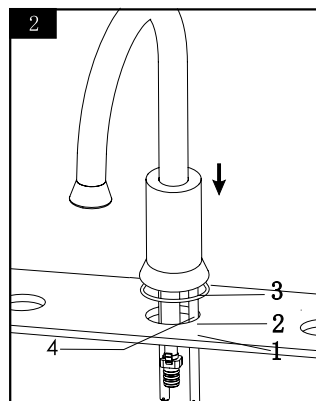
YOU MAY NEED



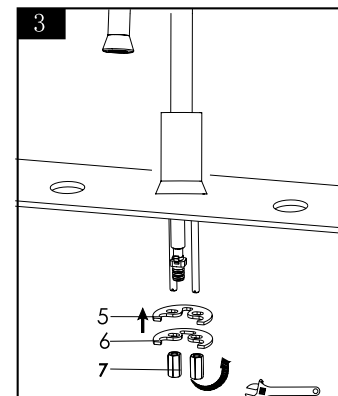
INSTALLATION PROCEDURES



1
You should clean all the dirt from valve outlets. Turning off the water supply valves. This is usually found near the water meter. If you are replacing an existing faucet, remove the faucet from the sink and clean the sink surface thoroughly.



2
Drill a $\varnothing 1-3/8$ hole (2) in the sink (1). Install the fixing rod (4) and screw them firmly. Put O-ring (3) into base groove and then insert them through the hole (2).

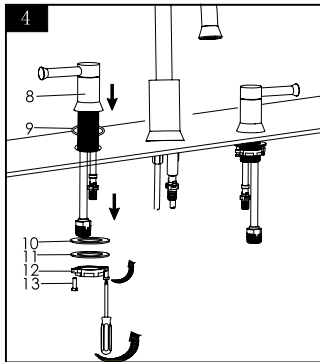


3
Adjust the faucet to the right position and put on the rubber gasket (5) and metal washer (6) and tighten with nuts (7).

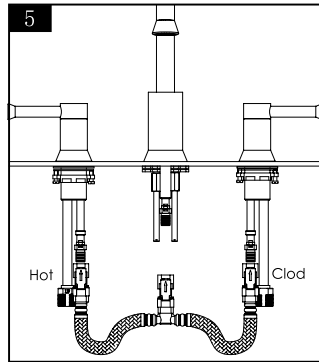
8001 003

Two Handle Lavatory Faucet INSTALLATION GUIDE

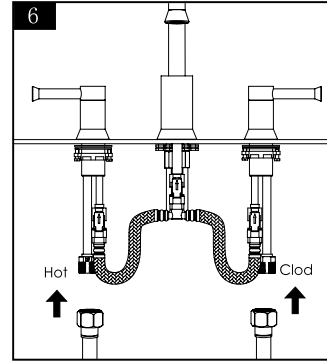
DOWELL



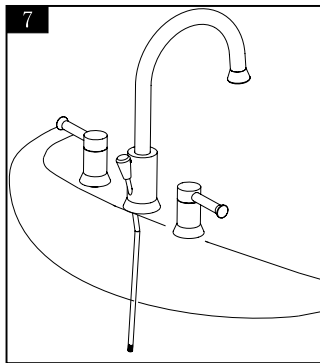
Put the o-ring (19) on the bottom of the body (8), then put the body through the hole. Finally, put on the gasket successively, and lock with screw (12), tight it with (13).



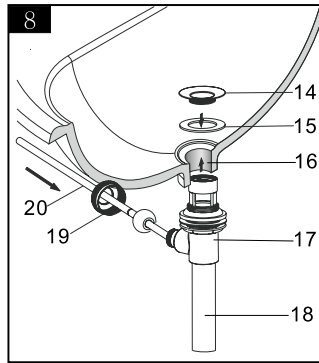
Connect the flexible hoses to the valve bodies. Left hose is for hot water and right for cold.



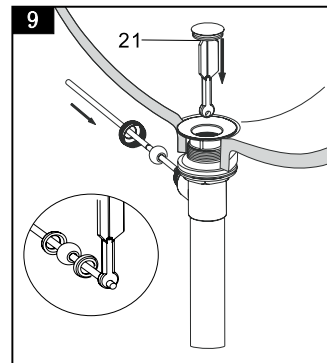
Connect the valve outlets with flexible hoses.



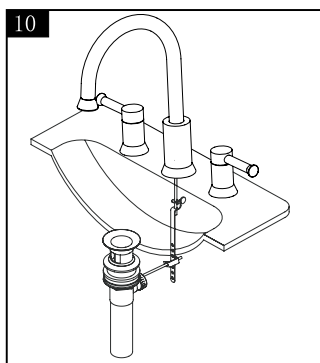
Slide lift rod as shown. Thread lift rod into lift knob.



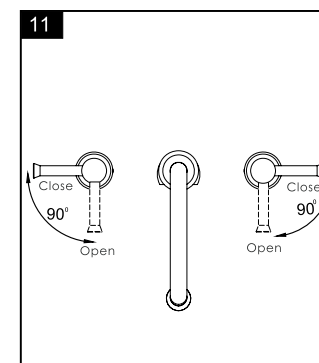
As shown, insert flange (14) with washer (15) through sink drain hole (16). Thread drain body (17) in position with ball rod (20) under from the opening facing back, tighten metal locknut (19) securely. Thread drain tailpiece (18) into drain body.



As shown, place the drain stopper (21) into the drain rod into the ball rod opening through stopper hole and threaded it.



Insert lift rod through lift rod strap and secure with set screw. Place the ball rod through one of the holes on the lift rod strap. Secure it with the spring clip.



Turn the left handle counter-clockwise to get the hot water. Turn the right handle clockwise to get the cold water.

8001 003

Two Handle Lavatory Faucet

INSTALLATION GUIDE

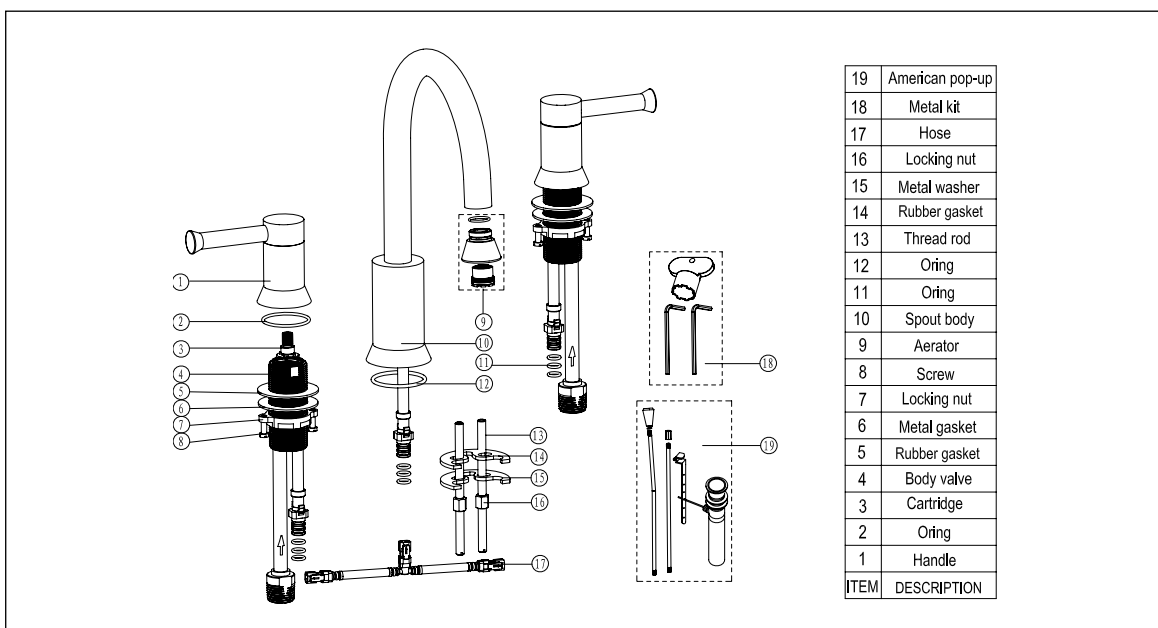
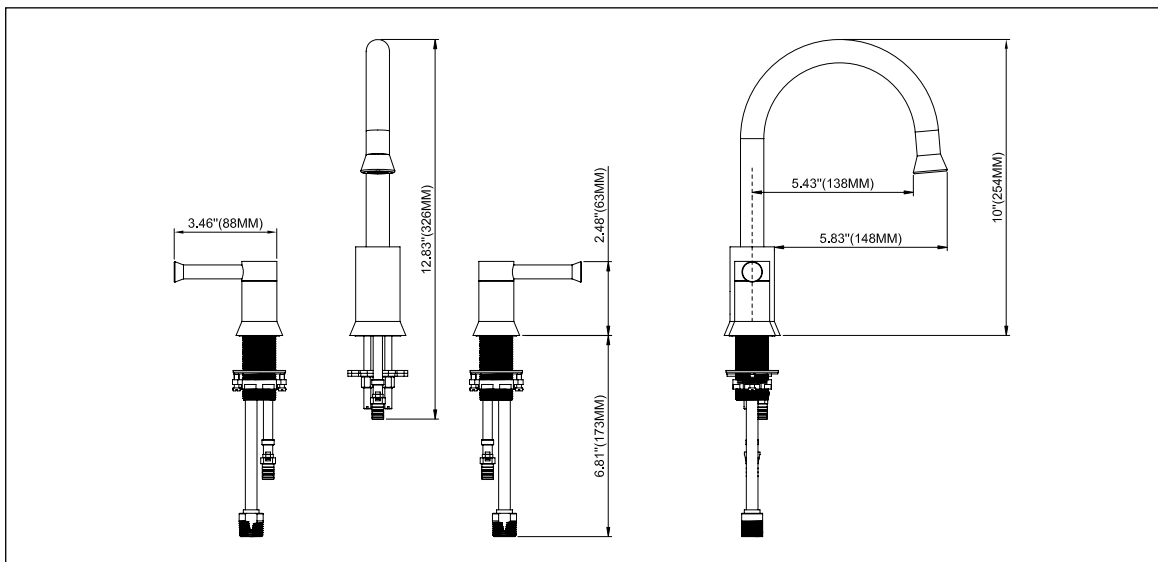
DOWELL

CAUTION: Maintenance

- 1.Replacement parts may be available at the store where you purchased your faucet .
- 2.Always turn off water and relieve pressure working before on your faucet.

NOTES: Cleaning Instructions

- 1.To keep the faucet clean you should clean the faucet frequently.
- 2.Clean the faucet with clear water or mild ,then dry the faucet with soft cotton cloths.
- 3.Do not use any abrasive cleansers cloths ,or paper towel.
- 4.Do not use any acid or abrasive detergent.



8001 003

Two Handle Lavatory Faucet

INSTALLATION GUIDE

DOWELL

TROUBLE-SHOOTING

If you've followed the instruction carefully and your faucet still does not work properly, take these corrective steps.

Problem	Cause	Action
Leaks underneath handle.	Cartridge has come loose.	Tighten the cartridge.
Aerator leaks or has an inconsistent water flow pattern.	Aerator is dirty or worn out or misfitted.	Unscrew the aerator to clean or replace washer, or replace the aerator.
Water will not shut off completely.	Dirty or worn out washer in cartridge.	Remove handle and cartridge to check if the washer is damaged permanently or dirty. Re-install cartridge .