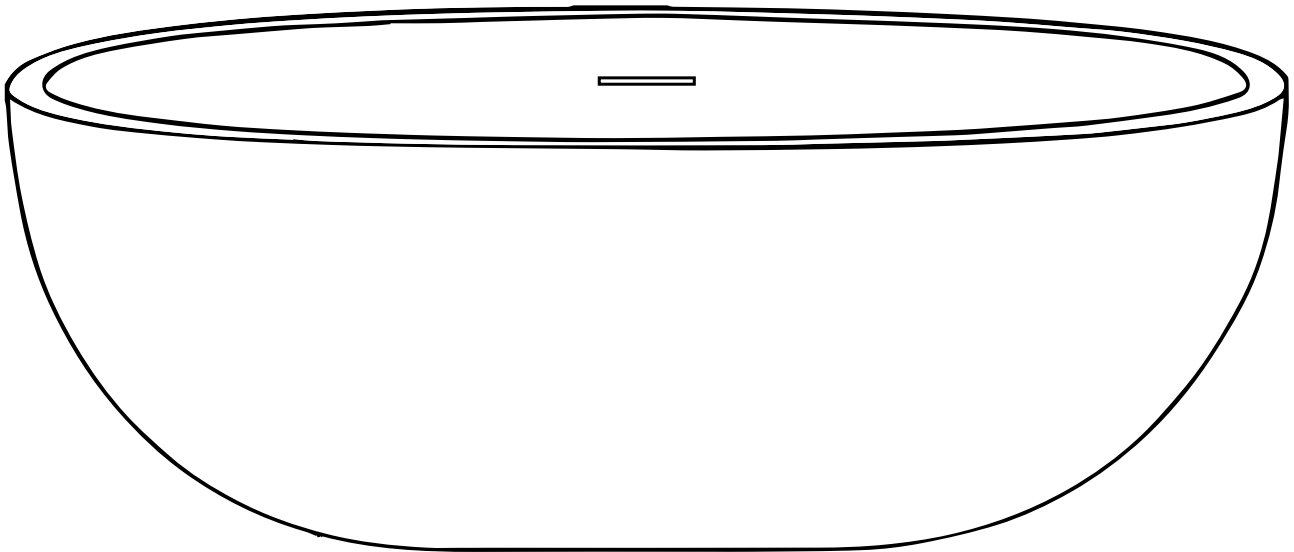


Freestanding Bathtub

Installation Manual



**TWO PERSONS
REQUIRED**

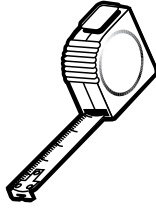
Please read notices on following page

PRODUCT SPECIFICATIONS ARE SUBJECT TO CHANGE WITHOUT NOTICE.
Dimensions of fixtures are approximate and may vary $\pm 6\text{mm}$ (1/4"). Structure measurements must be verified against the unit to ensure proper fit.

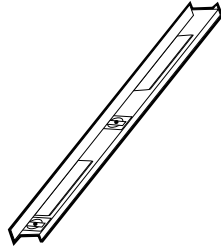
Materials and Tools Required



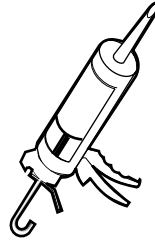
PENCIL



TAPE MEASURE



LEVEL



SILICONE

GENERAL INSTRUCTIONS

- Read this guide carefully and completely before proceeding.
- It is recommended that you wear safety glasses during the installation.

Before installing a new Dowell bathtub, we strongly recommend following the installation checklist and hiring a certified plumber to handle the installation.

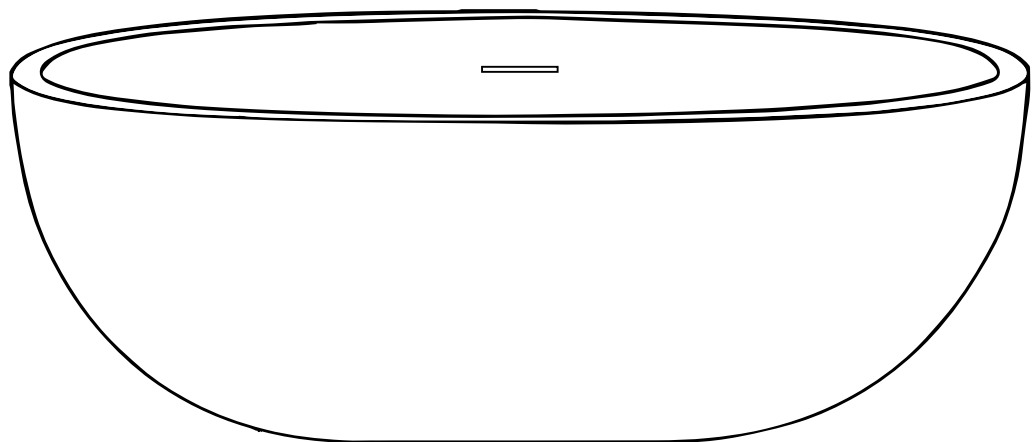
1. Visually inspect the bathtub to make sure it has not been damaged during transport. In case of damage, do not proceed with the installation.
2. Make sure the bathtub is the model that you ordered, that its dimensions are correct.
3. Ensure that the floor of the bathroom is level and it is able to withstand the weight of the bathtub once filled with water (about 500 kg or 1100 lb).
4. To protect the bathtub during installation, cut a piece cardboard in the package and place it in the bottom of the bathtub.
5. If your bathtub has a protective plastic film, do not remove it before having finished the installation.
6. If the bathtub is equipped with adjustable metal legs, they must first be installed by screwing them into the metal opening beneath the bathtub.

MAINTENANCE

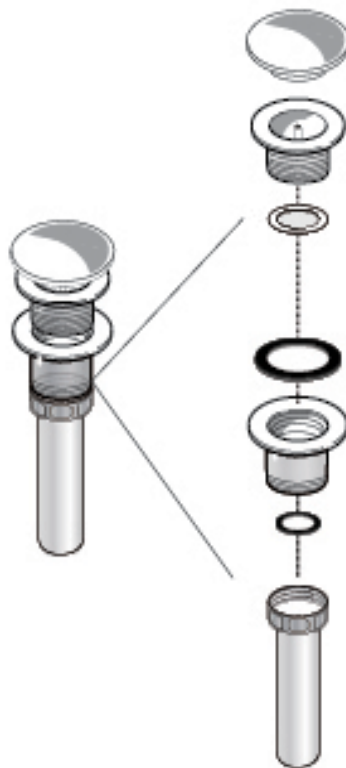
- To protect the finish of the acrylic Dowell bathtub, it must be cleaned with non abrasive cleaners.
- Use isopropyl alcohol to try to remove a particularly tenacious stain (isopropyl alcohol is toxic, please follow the safety instructions on the container and wear rubber gloves).
- Small surface scratches can be removed with common car waxes, using grinding machine to grind and then polish.
- Serious damage, including deep scratches, splinters and cracks, can often be repaired by a specialist that Dowell can recommend.

Contents

1	Freestanding Bathtub
2	A110 Drain (Not Included)



1

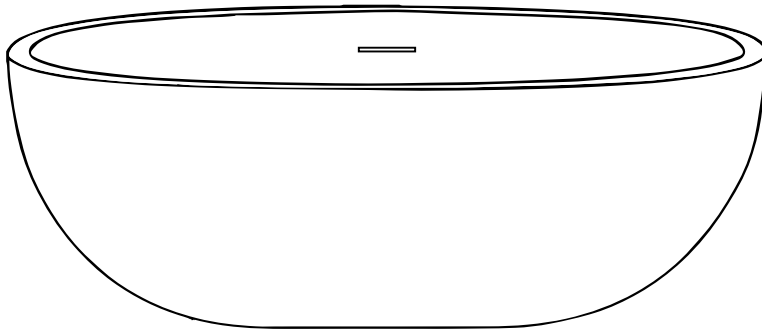


2

3

PRODUCT SPECIFICATIONS ARE SUBJECT TO CHANGE WITHOUT NOTICE.
Dimensions of fixtures are approximate and may vary $\pm 6\text{mm}$ (1/4"). Structure measurements must be verified against the unit to ensure proper fit.

Preperation

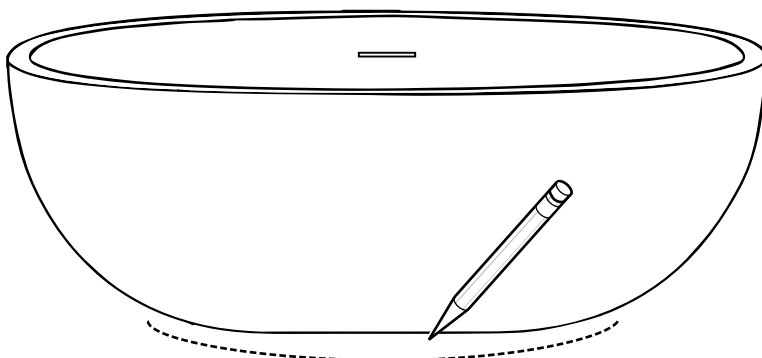


Step 1. Installation area should be cleaned.

Use a spirit level to ensure the ground area is level for the bathtub.

Prepare the floor for installation. Remove any obstructions.

Positioning Bathtub

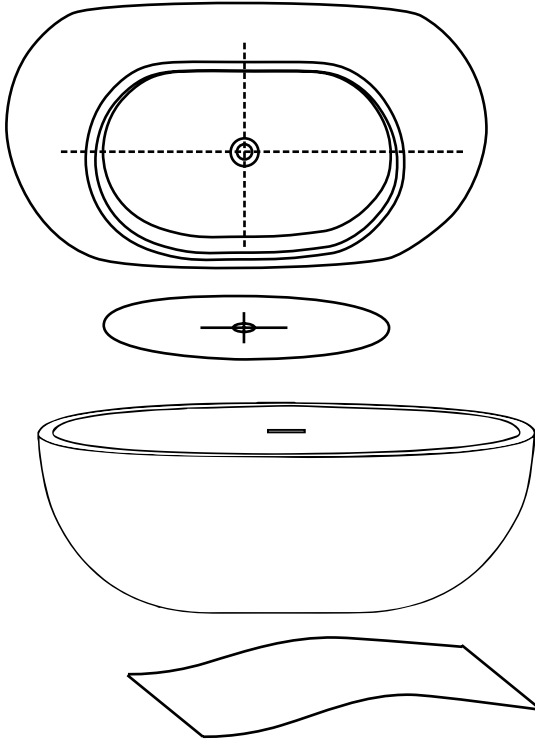


Step 2. Place the freestanding bathtub in the exact location desired.

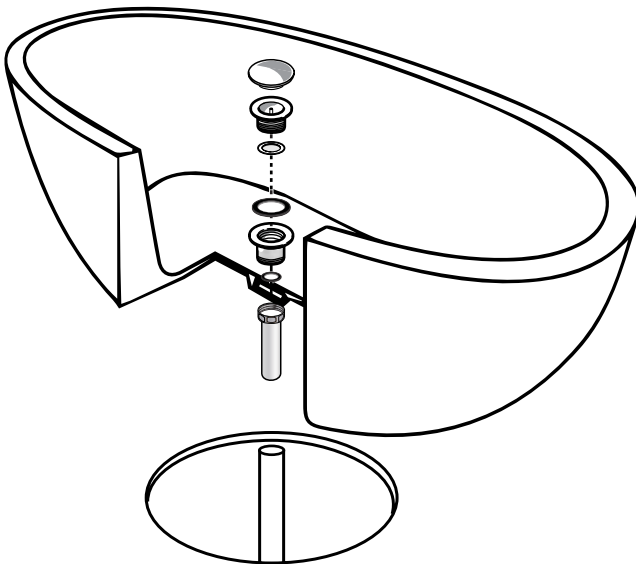
This will be the installed position on the floor.

Then trace the outline of the freestanding bathtub with a pencil or any marking that is erasable.

Preparation



Positioning Drain Assembly



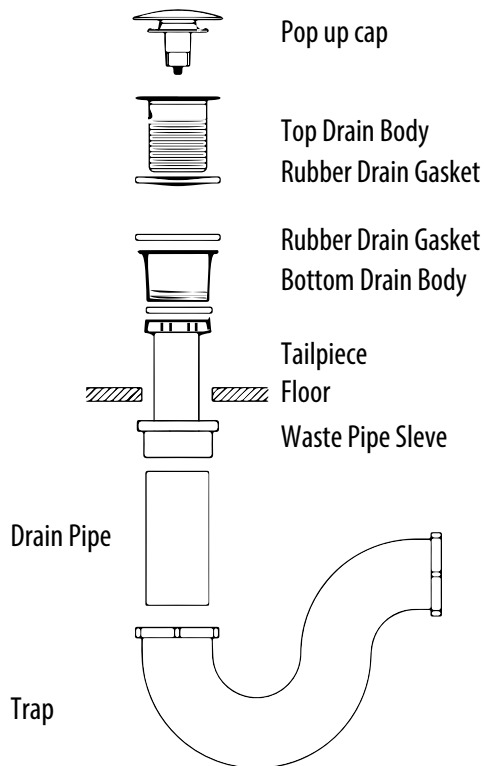
Step 3. Using a drop cloth, cardboard or any smooth protective surface, turn the freestanding bathtub on its side so that the unit is supported during drain installation.

Determine the location of the drain pipe on the floor by taking measurements of the drain and waste location underneath the unit.

Step 4. Note: Drain, waste locations, and trim options vary by model.

Step 5. Attach the drain body nut on the drain body and tighten until the nut and washer have created a seal with the bottom of the bathtub.

Preparation of Drain Tail Piece



Step 6. Waste drain pipe must always be installed agreeing to Local by/laws and standard. Check and confirm the placement of the bathtub before drilling the hole for the waste drain pipe.

Install 1 1/2" rubber slip gasket over the drain waste vent.

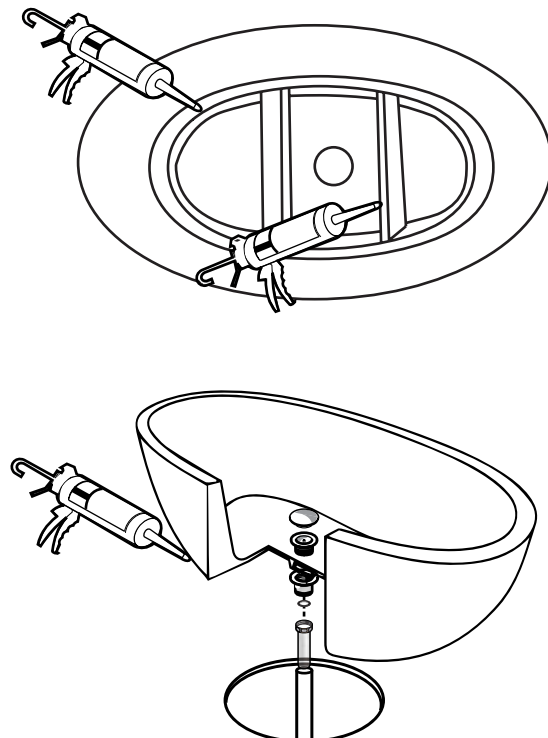
Cut tailpiece to desired length (will need to adjust for each installation).

Slide the nut over the tailpiece towards flanged end.

Connect the tailpiece assembly to waste vent.

Place flange washer on top of tailpiece.

Install Bathtub



Step 7. Apply a sufficient amount of adhesive or silicone to the bottom of the tub.

Carefully set tub into position and connect the drain. Finish the installation of the tail -piece Installation.

Once bathtub is set into place, apply silicone or caulk around the edge of the base.